

Instructions for use

WASHING MACHINE

GB

GB

English,1

F

Français,15

ES

Español,29

I

Italiano,43

SMLE 129

Contents

Installation, 2-3-4-5

Unpacking and levelling
Connecting the electricity and water supplies
The first wash cycle
Technical data
Instructions for the fitter

Description of the washing machine, 6-7

Control panel
Display

Running a wash cycle, 8

Wash cycles and functions, 9

Table of wash cycles
Wash functions

Detergents and laundry, 10

Detergent dispenser drawer
Preparing the laundry
Special wash cycles
Load balancing system

Precautions and tips, 11

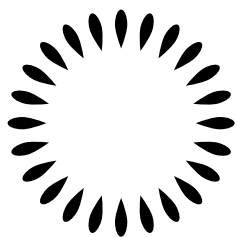
General safety
Disposal
Opening the porthole door manually

Care and maintenance, 12

Cutting off the water or electricity supply
Cleaning the washing machine
Cleaning the detergent dispenser drawer
Caring for the door and drum of your appliance
Cleaning the pump
Checking the water inlet hose

Troubleshooting, 13

Service, 14



Scholtès

Installation

GB

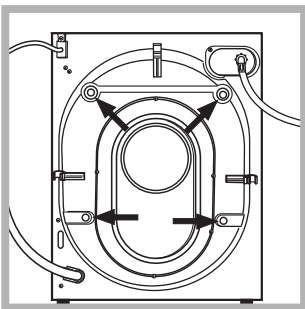
! This instruction manual should be kept in a safe place for future reference. If the washing machine is sold, transferred or moved, make sure that the instruction manual remains with the machine so that the new owner is able to familiarise himself/herself with its operation and features.

! Read these instructions carefully: they contain vital information relating to the safe installation and operation of the appliance.

Unpacking and levelling

Unpacking

1. Remove the washing machine from its packaging.
2. Make sure that the washing machine has not been damaged during the transportation process. If it has been damaged, contact the retailer and do not proceed any further with the installation process.



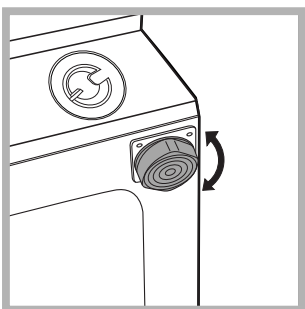
3. Remove the 4 protective screws (used during transportation) and the rubber washer with the corresponding spacer, located on the rear part of the appliance (see figure).

4. Close off the holes using the plastic plugs provided.
5. Keep all the parts in a safe place: you will need them again if the washing machine needs to be moved to another location.

! Packaging materials should not be used as toys for children.

Levelling

1. Install the washing machine on a flat sturdy floor, without resting it up against walls, furniture cabinets or anything else.

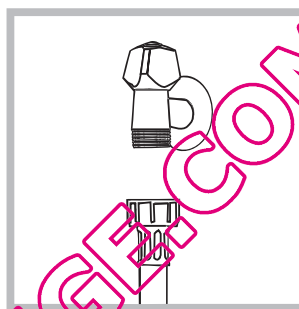


2. If the floor is not perfectly level, compensate for any unevenness by tightening or loosening the adjustable front feet (see figure); the angle of inclination, measured in relation to the worktop, must not exceed 2°.

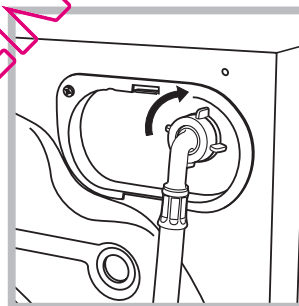
Levelling the machine correctly will provide it with stability, help to avoid vibrations and excessive noise and prevent it from shifting while it is operating. If it is placed on carpet or a rug, adjust the feet in such a way as to allow a sufficient ventilation space underneath the washing machine.

Connecting the electricity and water supplies

Connecting the water inlet hose



1. Connect the supply pipe by screwing it to a cold water tap using a 3/4 gas threaded connection (see figure). Before performing the connection, allow the water to run freely until it is perfectly clear.



2. Connect the inlet hose to the washing machine by screwing it onto the corresponding water inlet of the appliance, which is situated on the top right-hand side of the rear part of the appliance (see figure).

3. Make sure that the hose is not folded over or bent.

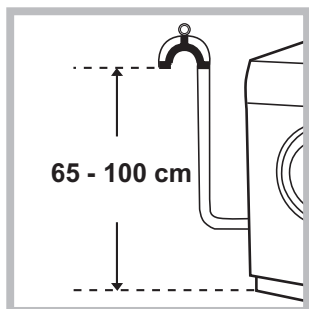
! The water pressure at the tap must fall within the values indicated in the Technical details table (see next page).

! If the inlet hose is not long enough, contact a specialised shop or an authorised technician.

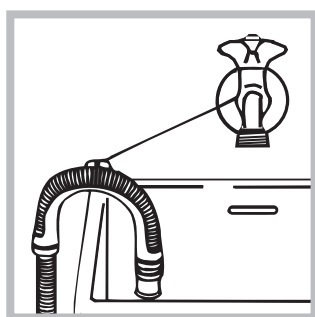
! Never use second-hand hoses.

! Use the ones supplied with the machine.

Connecting the drain hose



Connect the drain hose, without bending it, to a drainage duct or a wall drain located at a height between 65 and 100 cm from the floor;



alternatively, rest it on the side of a washbasin or bathtub, fastening the duct supplied to the tap (see figure). The free end of the hose should not be underwater.

! We advise against the use of hose extensions; if it is absolutely necessary, the extension must have the same diameter as the original hose and must not exceed 150 cm in length.

Electrical connections

Before plugging the appliance into the electricity socket, make sure that:

- the socket is earthed and complies with all applicable laws;
- the socket is able to withstand the maximum power load of the appliance as indicated in the Technical data table (see opposite);
- the power supply voltage falls within the values indicated in the Technical data table (see opposite);
- the socket is compatible with the plug of the washing machine. If this is not the case, replace the socket or the plug.

! The washing machine must not be installed outdoors, even in covered areas. It is extremely dangerous to leave the appliance exposed to rain, storms and other weather conditions.

! When the washing machine has been installed, the electricity socket must be within easy reach.


! Do not use extension cords or multiple sockets.

! The cable should not be bent or compressed.



! The power supply cable must only be replaced by authorised technicians.

Warning! The company shall not be held responsible in the event that these regulations are not respected.

The first wash cycle

Once the appliance has been installed, and before you use it for the first time, run a wash cycle with detergent and no laundry, using the wash cycle .

Technical data

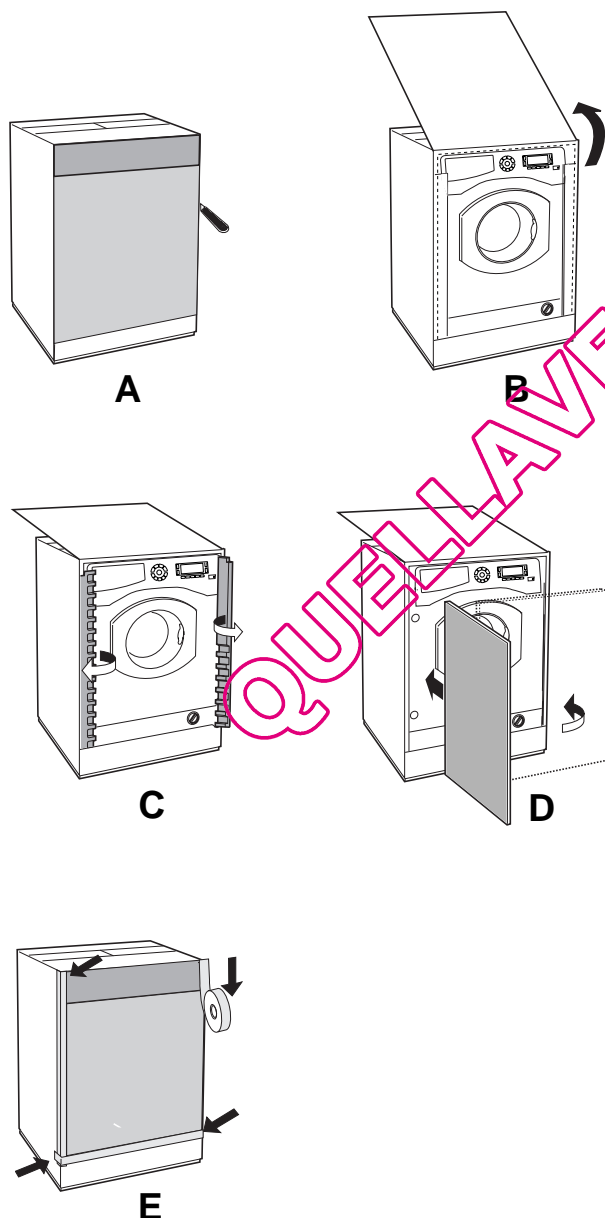
Model	SMLE 129
Dimensions	width 59,5 cm height 81,5 cm depth 54,5 cm
Capacity	from 1 to 7 kg
Electrical connections	please refer to the technical data plate fixed to the machine
Water connections	maximum pressure 1 MPa (10 bar) minimum pressure 0.05 MPa (0.5 bar) drum capacity 52 litres
Spin speed	up to 1200 rotations per minute
Energy rated programmes according to regulation 2010/1061	programme  (90°C); temperature 60°C and 40°C (By pressing the TEMPERATURE button).
	This appliance conforms to the following EC Directives: <ul style="list-style-type: none"> - 2004/108/EC (Electromagnetic Compatibility) - 2002/96/EC - 2006/95/EC (Low Voltage)

Instructions for the fitter

Mounting the wooden panel onto the door and inserting the machine into cabinets:

In the case where the machine must be shipped for final installation after the wooden panel has been mounted, we suggest leaving it in its original packaging. The packaging was designed to make it possible to mount the wooden panel onto the machine without removing it completely (see figures below).

The wooden panel that covers the face of the machine must not be less than **18 mm** in thickness and can be hinged on either the right or left. For the sake of practicality when using the machine, we recommend that the panel be hinged on the same side as the door for the machine itself - the left.



Door Mounting Accessories (Fig. 1-2-3-4-5).

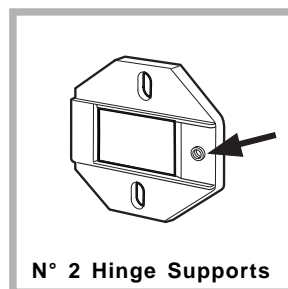


Fig. 1

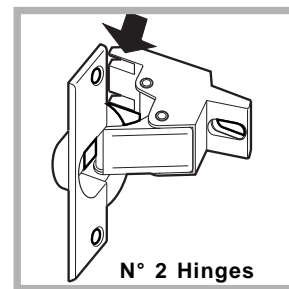


Fig. 2

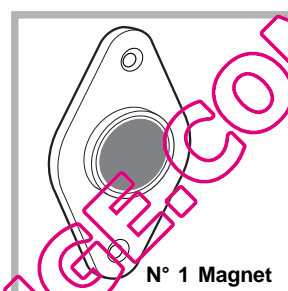


Fig. 3

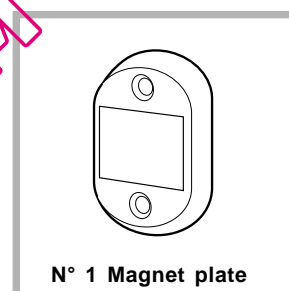


Fig. 4

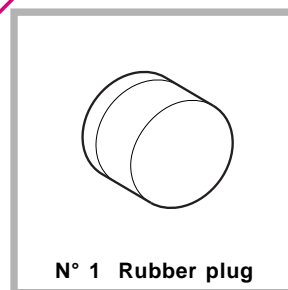


Fig. 5

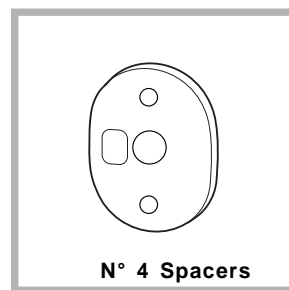


Fig. 4/B

- No. 6 type **A** self-threading screws, $l=13$ mm.
- No. 2 type **B** metric, countersunk screws, $l=25$; for fastening the magnet plate to the cabinet.
- No. 4 type **C** metric screws, $l=15$ mm; for mounting the hinge supports to the cabinet.
- No. 4 type **D** metric screws, $l=7$ mm; for mounting the hinges on the supports.

Mounting the Parts onto the Face of the Machine.

- Fit the hinge supports to the appliance front panel, positioning the hole marked with an arrow in *fig. 1* so that it is on the inner side of the front panel. Fit a spacer (*fig. 4/B*) between the surfaces using type **C** screws.
- Fit the magnet plate at the top of the opposite side, using type **B** screws to fix two spacers (*fig. 4/B*) between the plate and the surface.

Using the Drilling Template.

- To trace the positions of the holes on the left-hand side of the panel, align the drilling template to the top left side of the panel using the lines traced on the extremities as a reference.
- To trace the positions of the holes on the right-hand side of the panel, align the drilling template to the top right side of the panel.
- Use an appropriately sized router to mill the holes for the two hinges, the rubber plug and the magnet.

Moulding the Parts onto the Wooden Panel (Door).

- Insert the hinges into the holes (the movable part of the hinge must be positioned facing away from the panel) and fasten them with the 4 type **A** screws.
 - Insert the magnet into the top hole on the opposite side of the hinges and fasten it with the two type **B** screws.
 - Insert the rubber plug into the bottom hole.
- The panel is now ready to be mounted onto the machine.

Mounting the Panel into the machine.

Insert the nib of the hinge (indicated by the arrow in *fig. 2*) into the hole for the hinge and push the panel towards the front of the machine. Fasten the two hinges with the type **D** screws.

Fastening the plinth guide.

If the machine is installed at the end of a set of modular cabinets, mount either one or both of the guides for the base molding (as shown in *fig. 8*). Adjust them for depth based on the position of the base molding, and, if necessary, fasten the base to the guides (*fig. 9*). This is how to assemble the plinth guide (*fig. 8*): Fasten angle **P** using screw **R**, insert plinth guide **Q** into the special slot and once it is in the desired position, lock it in place using angle **P** and screw **R**.

Inserting the machine into the Cabinet.

- Push the machine into the opening, aligning it with the cabinets (*fig. 6*).
- Regulate the adjustable feet to raise the machine to the appropriate height.
- To adjust the position of the wooden panel in both the vertical and horizontal directions, use the **C** and **D** screws, as shown in *fig. 7*.

Important: close the lower part of the appliance front by ensuring that the plinth rests against the floor.

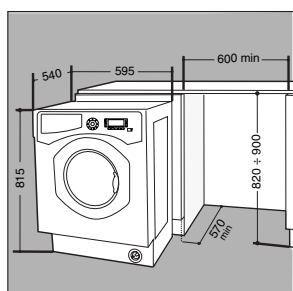


Fig. 6

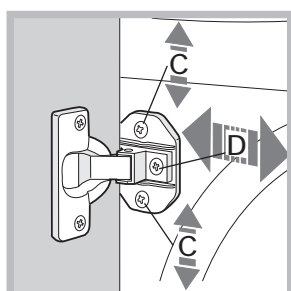


Fig. 7

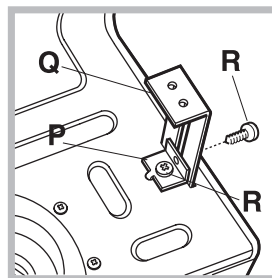


Fig. 8

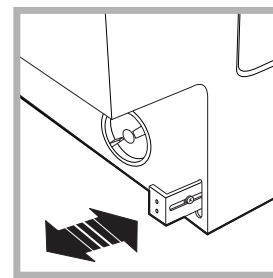


Fig. 9

Accessories provided for the height adjustment.

The following can be found inside the polystyrene lid (*fig. 10*): 2 crossbars (**G**), 1 strip (**M**)

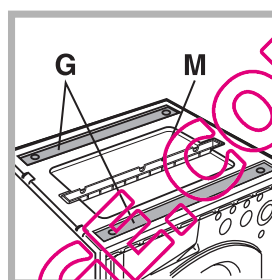


Fig. 10

Adjusting the appliance height.

The height of the appliance can be adjusted (from **815** mm to **835** mm), by turning the 4 feet.

Should you require the appliance to be placed higher than the above height, you need to use the following accessories to raise it to up to **870** mm:

the two crossbars (**G**); the 4 feet (**H**); the 4 screws (**I**); the 4 nuts (**L**) then perform the following operations (*fig. 11*): remove the 4 original feet, place a crossbar **G** at the front of the appliance, fastening it in place using screws **I** (screwing them in where the original feet were) then insert the new feet **H**. Repeat the same operation at the back of the appliance. Now adjust feet **H** to raise or lower the appliance from **835** mm to **870** mm.

Once you have reached the desired height, lock nuts **L** onto crossbar **G**.

To adjust the appliance to a height between **870** mm and **900** mm, you need to mount strip **M**, adjusting feet **H** to the required height.

Insert the strip as follows:

loosen the three screws **N** situated at the front of the Top cover of the appliance, insert strip **M** as shown in *fig. 12*, then fasten screws **N**.

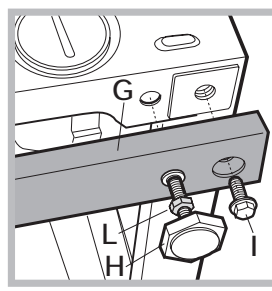


Fig. 11

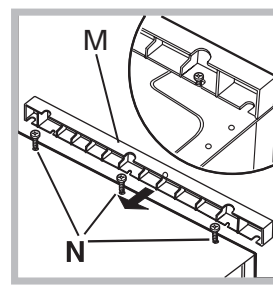
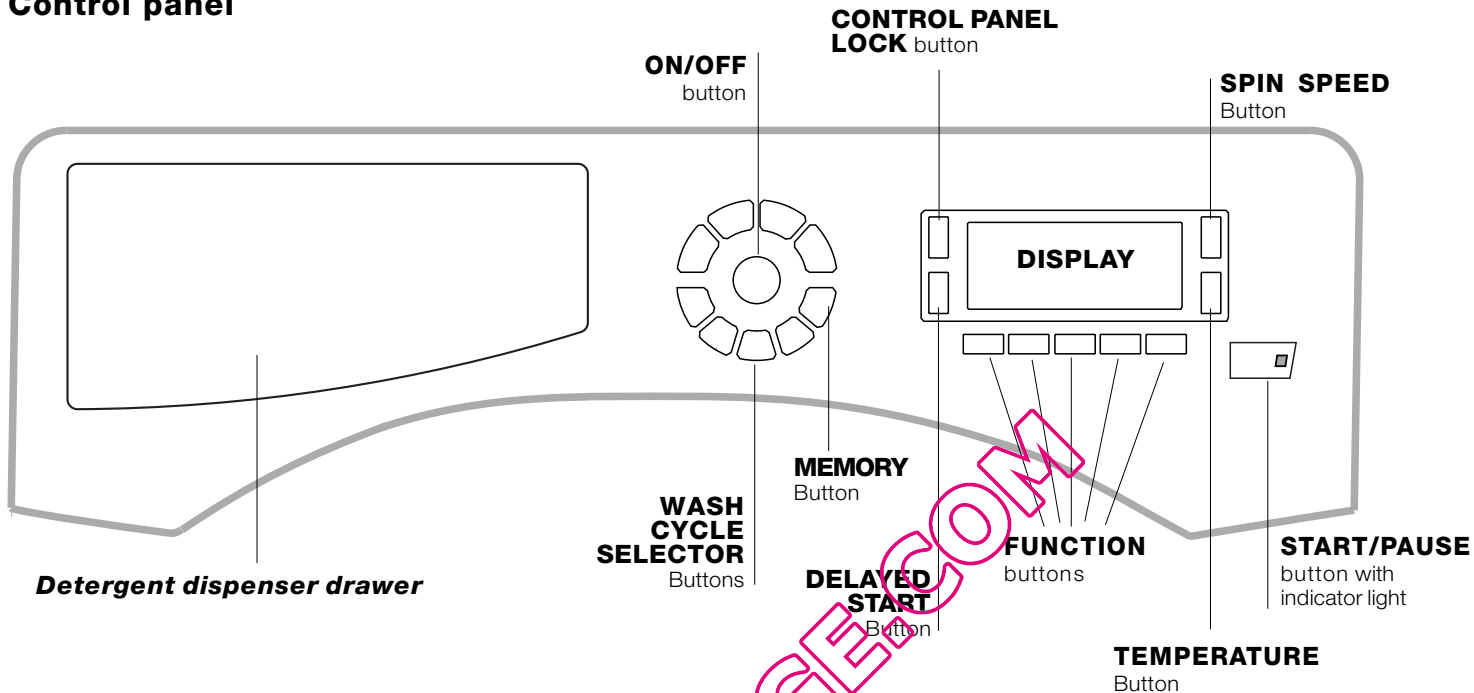


Fig. 12


Description of the washing machine

GB

Control panel




Detergent dispenser drawer: used to dispense detergents and washing additives (see "Detergents and laundry").


ON/OFF button : press this briefly to switch the machine on or off. The START/PAUSE indicator light, which flashes slowly in a green colour shows that the machine is switched on. To switch off the washing machine during the wash cycle, press and hold the button for approximately 2 seconds; if the button is pressed briefly or accidentally the machine will not switch off. If the machine is switched off during a wash cycle, this wash cycle will be cancelled.



WASH CYCLE SELECTOR buttons: used to set the desired wash cycle (see "Table of wash cycles").


MEMORY button: press and hold the button to store a cycle with your own set of preferences in the memory of the machine. To recall a previously stored cycle, press the MEMORY button.


FUNCTION buttons: press the button to select the desired function. The corresponding indicator light on the display will switch on.

SPIN button : press to reduce or completely exclude the spin cycle - the value is indicated on the display.

TEMPERATURE button : press to decrease the temperature: the value will be shown on the display.

CONTROL PANEL LOCK button : to **activate** the control panel lock, press and hold the button for approximately 2 seconds. When the symbol  is illuminated, the control panel is locked. This means it is possible to prevent wash cycles from being modified accidentally, especially where there are children in the home. To **deactivate** the control panel lock, press and hold the button for approximately 2 seconds.

DELAYED START button : press to set a delayed start time for the selected wash cycle. The delay time will be shown on the display.

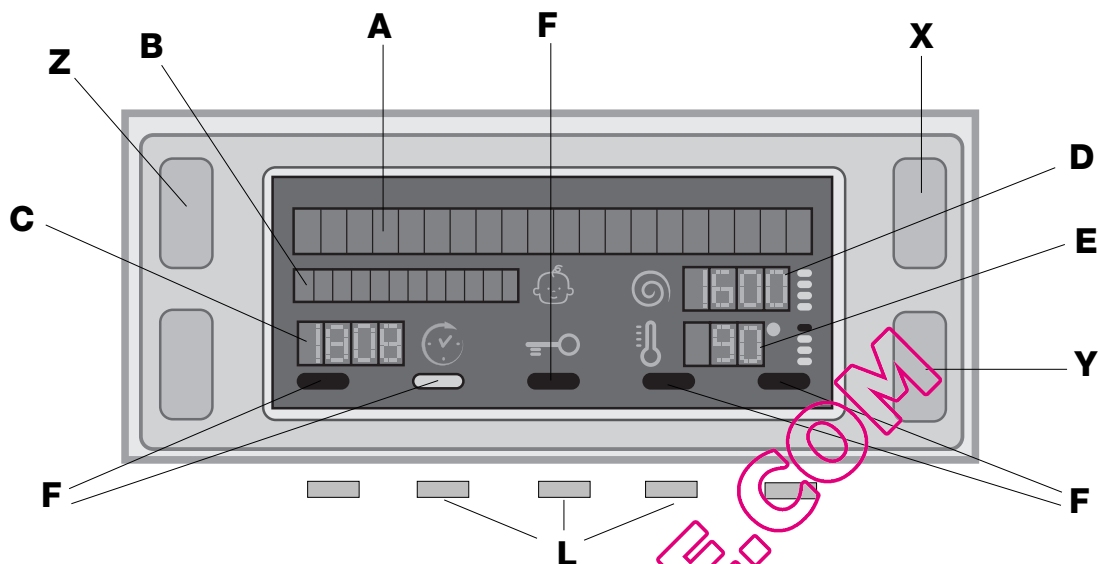
START/PAUSE button with indicator light: when the green indicator light flashes slowly, press the button to start a wash cycle. Once the cycle has begun the indicator light will remain lit in a fixed manner. To pause the wash cycle, press the button again; the indicator light will flash in an orange colour. If the symbol  is not illuminated, the door may be opened. To start the wash cycle from the point at which it was interrupted, press the button again.

Standby mode

This washing machine, in compliance with new energy saving regulations, is fitted with an automatic standby system which is enabled after about 30 minutes if no activity is detected. Press the ON-OFF button briefly and wait for the machine to start up again.

Display

GB



The display is useful when programming the machine and provides a great deal of information.

The two upper strings **A** and **B** provide details of the wash cycle selected, the wash cycle phase in progress and all information relating to the progress status of the wash cycle.

String **C** shows the time remaining until the end of the wash cycle in progress and, if a DELAYED START has been set, the time remaining until the start of the selected wash cycle.

String **D** shows the maximum spin speed value (this depends on the selected wash cycle); if the wash cycle does not include a spin cycle, the string remains unused.

String **E** shows the maximum temperature value which may be selected (this depends on the wash cycle used); if the temperature of the wash cycle cannot be modified, the string remains unused.

Indicator lights **F** correspond to the functions and light up when the selected function is compatible with the set wash cycle.

Door locked symbol =

If the symbol is lit, this indicates that the washing machine door is blocked to prevent it from being opened accidentally. To prevent any damage from occurring, wait for the symbol to switch itself off before opening the appliance door.

N.B.: if the DELAYED START function has been activated, the door cannot be opened; pauses the machine by pressing the START/PAUSE button if you wish to open it.


! The first time the machine is switched on, you will be asked to select the language and the display will automatically show the language selection menu.


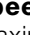
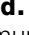
To select the desired language press the **X** and **Y** buttons; to confirm the selection press the **Z** button.



If you wish to change the selected language, **simultaneously** press and hold all the three buttons marked with an **L** in the figure, until you hear a beep. Switch the machine on again; the language selection menu will be displayed.

Running a wash cycle

GB

- 1. SWITCH THE MACHINE ON.** Press the  button; the text WELCOME will appear on the display and the START/PAUSE indicator light will flash slowly in a green colour.
- 2. LOAD THE LAUNDRY.** Open the porthole door. Load the laundry, making sure you do not exceed the maximum load value indicated in the table of programmes on the following page.
- 3. MEASURE OUT THE DETERGENT.** Pull out the detergent dispenser drawer and pour the detergent into the relevant compartments as described in "Detergents and laundry".
- 4. CLOSE THE DOOR.**
- 5. SELECT THE WASH CYCLE.** Press one of the WASH CYCLE SELECTOR buttons to select the required wash cycle; the name of the wash cycle will appear on the display. A temperature and spin speed is set for each wash cycle; these may be adjusted. The duration of the cycle will appear on the display.
- 6. CUSTOMISE THE WASH CYCLE.** Use the relevant buttons:

 **Modifying the temperature and/or spin speed.** The machine automatically selects the maximum temperature and spin speed set for the selected wash cycle; these values cannot therefore be increased. The temperature can be decreased by pressing the  button, until the cold wash "OFF" setting is reached. The spin speed may be progressively reduced by pressing the  button, until it is completely excluded (the "OFF" setting). If these buttons are pressed again, the maximum values are restored.

 **Setting a delayed start.**
To set a delayed start for the selected programme, press the corresponding button repeatedly until the required delay period has been reached. When this option is enabled, the  symbol lights up on the display. To remove the delayed start function press the button until the text "OFF" appears on the display.



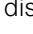
 **Modifying the cycle settings.**


- Press the button to enable the function; the indicator light corresponding to the button will switch on.
- Press the button again to disable the function; the indicator light will switch off.

! If the selected function is not compatible with the programmed wash cycle, the indicator light will flash and the function will not be activated.

! If the selected function is not compatible with another function which has been selected previously, the indicator light corresponding to the first function selected will flash and only the second function will be activated; the indicator light corresponding to the enabled function will remain lit.

! The functions may affect the recommended load value and/or the duration of the cycle.

- 7. START THE PROGRAMME.** Press the START/PAUSE button. The corresponding indicator light will become green, remaining lit in a fixed manner, and the door will be locked (the DOOR LOCKED  symbol will be on). During the wash cycle, the name of the phase in progress will appear on the display. To change a wash cycle while it is in progress, **pause the washing machine** using the START/PAUSE button (the START/PAUSE indicator light will flash slowly in an orange colour); then select the desired cycle and press the START/PAUSE button again.
To open the door while a cycle is in progress, press the START/PAUSE button; if the DOOR LOCKED  symbol is switched off the door may be opened. Press the START/PAUSE button again to restart the wash cycle from the point at which it was interrupted.
- 8. THE END OF THE WASH CYCLE.** This will be indicated by the text "END OF CYCLE" on the display; when the DOOR LOCKED  symbol switches off the door may be opened. Open the door, unload the laundry and switch off the machine.

! If you wish to cancel a cycle which has already begun, press and hold the  button. The cycle will be stopped and the machine will switch off.

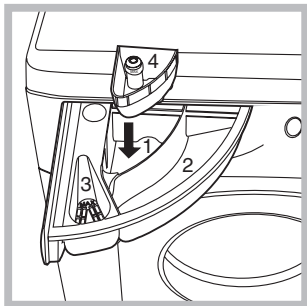
Detergents and laundry

GB

Detergent dispenser drawer

Good washing results also depend on the correct dose of detergent: adding too much detergent will not necessarily result in a more efficient wash, and may in fact cause build up on the inside of your appliance and contribute to environmental pollution.

! Do not use hand washing detergents because these create too much foam.



Open the detergent dispenser drawer and pour in the detergent or washing additive, as follows.

compartment 1: Pre-wash detergent (powder)

Before pouring in the detergent, make sure that extra compartment 4 has been removed.

compartment 2: Detergent for the wash cycle (powder or liquid)

Liquid detergent should only be poured in immediately prior to the start of the wash cycle.

compartment 3: Additives (fabric softeners, etc.)

The fabric softener should not overflow the grid.

extra compartment 4: Bleach

Preparing the laundry

- Divide the laundry according to:
 - the type of fabric/the symbol on the label
 - the colours: separate coloured garments from whites
- Empty all garment pockets and check the buttons.
- Do not exceed the listed values, which refer to the weight of the laundry when dry:
 - Durable fabrics: max. 7 kg
 - Synthetic fabrics: max. 3 kg
 - Delicate fabrics: max. 2 kg
 - Wool: max. 1,5 kg
 - Silk: max. 1 kg

How much does your laundry weigh?

- 1 sheet 400-500 g
- 1 pillow case 150-200 g
- 1 tablecloth 400-500 g
- 1 bathrobe 900-1200 g
- 1 towel 150-250 g

Special wash cycles

Mix 30': this wash cycle was designed to wash lightly soiled garments quickly: it lasts just 30 minutes and therefore saves both energy and time. By selecting this wash cycle (☺ at 30°C), it is possible to wash different fabrics together (except for wool and silk items), with a maximum load of 3 kg.

Mix 15': this wash cycle was designed to wash lightly soiled garments quickly: it lasts just 15 minutes and therefore saves both energy and time. By selecting this wash cycle (☺ at 30°C), it is possible to wash different fabrics together (except for wool and silk items), with a maximum load of 1.5 kg.

Baby cycle: this wash cycle can be used to remove the soiling typically caused by babies, while ensuring that all detergent is removed from nappies in order to prevent the delicate skin of babies from suffering allergies. The cycle (☺) has been designed to reduce the amount of bacteria by using a greater quantity of water and optimising the effect of special disinfecting additives added to the detergent.

At the end of the wash cycle, the machine will slowly rotate the drum to prevent the formation of creases; to end the cycle press the START/PAUSE button.

Silk: use special wash cycle (☺) to wash all silk garments. We recommend the use of special detergent which has been designed to wash delicate clothes.

Curtains: fold curtains and place them in a pillow case or mesh bag. Use wash cycle (☺).

Wool: Scholtès is the only washing machine manufacturer to have been awarded the prestigious Woolmark Platinum Care endorsement (M.0508) by the Woolmark Company, which means that all woollen garments may be washed in the washing machine, even those which state "hand wash only" (☺) on the label. Wash cycle (☺) therefore offers complete peace of mind when washing woollen garments in the washing machine (max. load 1,5 kg) and guarantees optimal performance.

Load balancing system

Before every spin cycle, to avoid excessive vibrations and to distribute the load in a uniform manner, the drum rotates continuously at a speed which is slightly greater than the washing rotation speed. If, after several attempts, the load is not balanced correctly, the machine spins at a reduced spin speed. If the load is excessively unbalanced, the washing machine performs the distribution process instead of spinning. To encourage improved load distribution and balance, we recommend small and large garments are mixed in the load.

! This washing machine was designed and constructed in accordance with international safety regulations. The following information is provided for safety reasons and must therefore be read carefully.

General safety

- This appliance was designed for domestic use only.
- This appliance is not intended for use by persons (including children) with reduced physical, sensory or mental capabilities, or lack of experience and knowledge, unless they have been given supervision or instruction concerning use of the appliance by a person responsible for their safety. Children should be supervised to ensure that they do not play with the appliance.
- Do not touch the machine when barefoot or with wet or damp hands or feet.
- Do not pull on the power supply cable when unplugging the appliance from the electricity socket. Hold the plug and pull.
- Do not open the detergent dispenser drawer while the machine is in operation.
- Do not touch the drained water as it may reach extremely high temperatures.
- Never force the porthole door. This could damage the safety lock mechanism designed to prevent accidental opening.
- If the appliance breaks down, do not under any circumstances access the internal mechanisms in an attempt to repair it yourself.
- Always keep children well away from the appliance while it is operating.
- The door can become quite hot during the wash cycle.
- If the appliance has to be moved, work in a group of two or three people and handle it with the utmost care. Never try to do this alone, because the appliance is very heavy.
- Before loading laundry into the washing machine, make sure the drum is empty.

Disposal

- Disposing of the packaging materials: observe local regulations so that the packaging may be re-used.
- The European Directive 2002/96/EC on Waste Electrical and Electronic Equipment, requires that old household electrical appliances must not be disposed of in the normal unsorted municipal waste stream. Old appliances must be collected separately in order to optimise the recovery and recycling of the materials they contain and reduce the impact on human health and the environment.

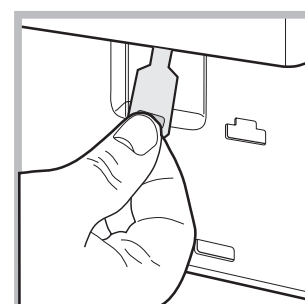
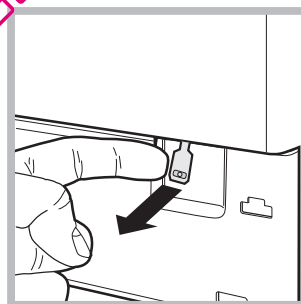
The crossed out "wheeled bin" symbol on the product reminds you of your obligation, that when you dispose of the appliance it must be separately collected.

Consumers should contact their local authority or retailer for information concerning the correct disposal of their old appliance.

Opening the porthole door manually

In the event that it is not possible to open the porthole door due to a powercut, and if you wish to remove the laundry, proceed as follows:

1. remove the plug from the electrical socket.
2. make sure the water level inside the machine is lower than the door opening; if it is not, remove excess water using the drain hose, collecting it in a bucket.
3. pull outwards using the tab as indicated in the figure until the plastic tie-rod is freed from its stop position; pull downwards and open the door at the same time.



Care and maintenance

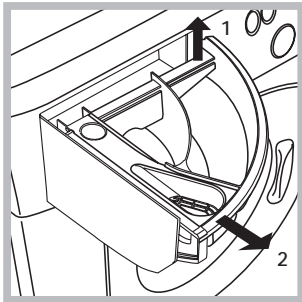
GB Cutting off the water and electricity supplies

- Turn off the water tap after every wash cycle. This will limit wear on the hydraulic system inside the washing machine and help to prevent leaks.
- Unplug the washing machine when cleaning it and during all maintenance work.

Cleaning the washing machine

The outer parts and rubber components of the appliance can be cleaned using a soft cloth soaked in lukewarm soapy water. Do not use solvents or abrasives.

Cleaning the detergent dispenser drawer



Remove the dispenser by raising it and pulling it out (see figure). Wash it under running water; this operation should be repeated frequently.

Caring for the door and drum of your appliance

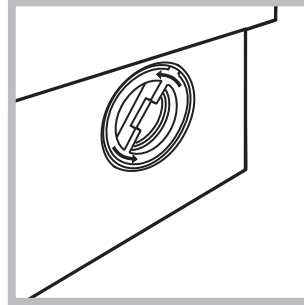
- Always leave the porthole door ajar in order to prevent unpleasant odours from forming.

Cleaning the pump

The washing machine is fitted with a self-cleaning pump which does not require any maintenance. Sometimes, small items (such as coins or buttons) may fall into the pre-chamber which protects the pump, situated in its bottom part.

! Make sure the wash cycle has finished and unplug the appliance.

To access the pre-chamber:



1. unscrew the lid by rotating it anti-clockwise (see figure): a little water may trickle out. This is perfectly normal;

2. clean the inside thoroughly;
3. screw the lid back on;

Checking the water inlet hose

Check the inlet hose at least once a year. If there are any cracks, it should be replaced immediately: during the wash cycles, water pressure is very strong and a cracked hose could easily split open.

! Never use second-hand hoses.

Your washing machine could fail to work. Before contacting the Technical Assistance Centre (see "Assistance"), make sure that the problem cannot be not solved easily using the following list.

Problem:

Possible causes / Solutions:

The washing machine does not switch on.

- The appliance is not plugged into the socket fully, or is not making contact.
- There is no power in the house.

The wash cycle does not start.

- The washing machine door is not closed properly.
- The ON/OFF button has not been pressed.
- The START/PAUSE button has not been pressed.
- The water tap has not been opened.
- A delayed start has been set (see "Running a wash cycle").

The washing machine does not take in water (the text "NO WATER, CHECK SUPPLY" appears on the display).

- The water inlet hose is not connected to the tap.
- The hose is bent.
- The water tap has not been opened.
- There is no water supply in the house.
- The pressure is too low.
- The START/PAUSE button has not been pressed.

The washing machine continuously takes in and drains water.

- The drain hose is not fitted at a height between 65 and 100 cm from the floor (see "Installation").
- The free end of the hose is under water (see "Installation").
- The wall drainage system is not fitted with a breather pipe.

If the problem persists even after these checks, turn off the water tap, switch the appliance off and contact the Assistance Service. If the dwelling is on one of the upper floors of a building, there may be problems relating to water drainage, causing the washing machine to fill with water and drain continuously. Special anti-draining valves are available in shops and help to avoid this inconvenience.

The washing machine does not drain or spin.

- The wash cycle does not include draining: some wash cycles require the drain phase to be started manually (see "Wash cycles and functions").
- The EASY IRON function has been activated: To complete the wash cycle, press the START/PAUSE button (see "Wash cycles and functions").
- The drain hose is bent (see "Installation").
- The drainage duct is clogged.

The washing machine vibrates a lot during the spin cycle.

- The drum was not unlocked correctly during installation (see "Installation").
- The washing machine is not level (see "Installation").
- The washing machine is trapped between cabinets and walls (see "Installation").

The washing machine leaks.

- The water inlet hose is not screwed on properly (see "Installation").
- The detergent dispenser drawer is blocked (for cleaning instructions, see "Care and maintenance").
- The drain hose is not fixed properly (see "Installation").

The machine is locked and the display flashes, indicating an error code (e.g. F-01, F-..).

- Switch off the machine and unplug it, wait for approximately 1 minute and then switch it back on again.
If the problem persists, contact the Technical Assistance Service.

There is too much foam.

- The detergent is not suitable for machine washing (it should display the text "for washing machines" or "hand and machine wash", or the like).
- Too much detergent was used.

Service

GB

Before calling for Assistance:

- Check whether you can solve the problem alone (see “*Troubleshooting*”);
- Restart the programme to check whether the problem has been solved;
- If this is not the case, contact an authorised Technical Assistance Centre using the telephone number provided on the guarantee certificate.

! Always request the assistance of authorised technicians.

Have the following information to hand:

- the type of problem;
- the appliance model (Mod.);
- the serial number (S/N).

This information can be found on the data plate applied to the rear of the washing machine, and can also be found on the front of the appliance by opening the door.

QUELLAVELINGE.COM

FR

Français

SMLE 129

Sommaire

Installation, 16-17-18-19

Déballage et mise à niveau
Raccordements eau et électricité
Premier cycle de lavage
Caractéristiques techniques
Instructions pour l'installateur

Description du lave-linge, 20-21

Bandeau de commandes
Écran

Comment faire un cycle de lavage, 22

Programmes et fonctions, 23

Tableau des programmes
Fonctions de lavage

Produits lessiviels et linge, 24

Tiroir à produits lessiviels
Triage du linge
Programmes spéciaux
Système d'équilibrage de la charge

Précautions et conseils, 25

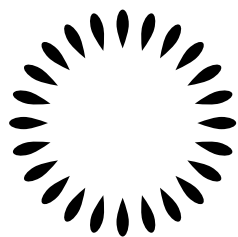
Sécurité générale
Mise au rebut
Ouverture manuelle de la porte hublot

Entretien et soin, 26

Coupure de l'arrivée d'eau et du courant
Nettoyage du lave-linge
Nettoyage du tiroir à produits lessiviels.
Entretien du hublot et du tambour
Nettoyage de la pompe
Contrôle du tuyau d'arrivée de l'eau

Anomalies et remèdes, 27

Assistance, 28



Scholtès

FR

QUELLAVELINGE.COM

Installation

FR

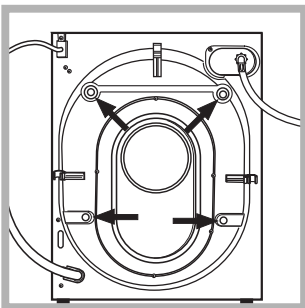
! Conserver ce mode d'emploi pour pouvoir le consulter à tout moment. En cas de vente, de cession ou de déménagement, veiller à ce qu'il suive toujours le lave-linge pour que son nouveau propriétaire soit informé sur son mode de fonctionnement et puisse profiter des conseils correspondants.

! Lire attentivement les instructions: elles fournissent des conseils importants sur l'installation, l'utilisation et la sécurité de l'appareil.

Déballage et mise à niveau

Déballage

1. Déballez le lave-linge.
2. Contrôlez que le lave-linge n'a pas été endommagé pendant le transport. S'il est abîmé, ne pas le raccorder et contacter le vendeur.



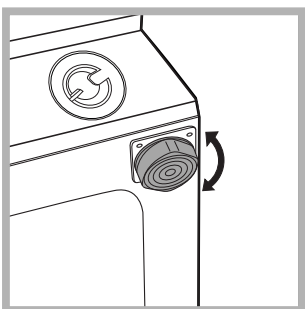
3. Enlever les 4 vis de protection servant au transport, le caoutchouc et la cale, placés dans la partie arrière (voir figure).

4. Boucher les trous à l'aide des bouchons plastique fournis.
5. Conserver toutes ces pièces: il faudra les remonter en cas de transport du lave-linge.

! Les pièces d'emballage ne sont pas des jouets pour enfants.

Mise à niveau

1. Installer le lave-linge sur un sol plat et rigide, sans l'appuyer contre des murs, des meubles ou autre.

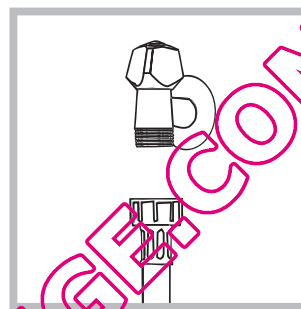


2. Si le sol n'est pas parfaitement horizontal, visser ou dévisser les pieds de réglage avant (voir figure) pour niveler l'appareil; son angle d'inclinaison, mesuré sur le plan de travail, ne doit pas dépasser 2°.

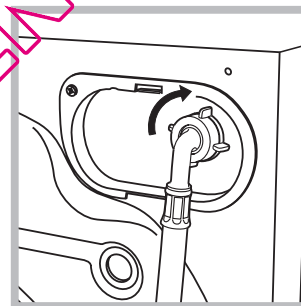
Une bonne mise à niveau garantit la stabilité de l'appareil et évite qu'il y ait des vibrations, du bruit et des déplacements en cours de fonctionnement. Si la machine est posée sur de la moquette ou un tapis, régler les pieds de manière à ce qu'il y ait suffisamment d'espace pour assurer une bonne ventilation.

Raccordements eau et électricité

Raccordement du tuyau d'arrivée de l'eau



1. Reliez le tuyau d'alimentation en le vissant à un robinet d'eau froide à embout fileté 3/4 gaz (voir figure). Faire couler l'eau jusqu'à ce qu'elle soit limpide et sans impuretés avant de raccorder.



2. Raccorder le tuyau d'arrivée de l'eau au lave-linge en le vissant à la prise d'eau prévue, dans la partie arrière en haut à droite (voir figure).

3. Attention à ce que le tuyau ne soit pas plié ou écrasé.

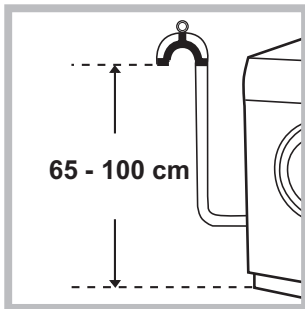
! La pression de l'eau doit être comprise entre les valeurs indiquées dans le tableau des Caractéristiques techniques (voir page ci-contre).

! Si la longueur du tuyau d'alimentation ne suffit pas, s'adresser à un magasin spécialisé ou à un technicien agréé.

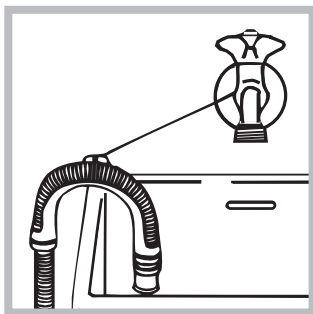
! N'utiliser que des tuyaux neufs.

! Utiliser ceux qui sont fournis avec l'appareil.

Raccordement du tuyau de vidange



Raccorder le tuyau d'évacuation, sans le plier, à un conduit d'évacuation ou à une évacuation murale placés à une distance du sol comprise entre 65 et 100 cm;



ou bien l'accrocher à un évier ou à une baignoire, dans ce cas, fixer le support en plastique fourni avec l'appareil au robinet (voir figure). L'extrémité libre du tuyau d'évacuation ne doit pas être plongée dans l'eau.

! L'utilisation d'un tuyau de rallonge est absolument déconseillée mais si on ne peut faire autrement, il faut absolument qu'il ait le même diamètre que le tuyau original et sa longueur ne doit pas dépasser 150 cm.

Branchement électrique

Avant de brancher la fiche dans la prise de courant, s'assurer que:

- la prise est bien reliée à la terre et est conforme aux réglementations en vigueur;
- la prise est bien apte à supporter la puissance maximale de l'appareil indiquée dans le tableau des Caractéristiques techniques (voir ci-contre);
- la tension d'alimentation est bien comprise entre les valeurs figurant dans le tableau des Caractéristiques techniques (voir ci-contre);
- la prise est bien compatible avec la fiche du lave-linge. Autrement, remplacer la prise ou la fiche.

! Le lave-linge ne doit pas être installé dehors, même à l'abri, car il est très dangereux de le laisser exposé à la pluie et aux orages.

! Après installation du lave-linge, la prise de courant doit être facilement accessible.


! N'utiliser ni rallonges ni prises multiples.

! Le câble ne doit être ni plié ni trop écrasé.



! Le câble d'alimentation ne doit être remplacé que par des techniciens agréés.

Attention! Nous déclinons toute responsabilité en cas de non-respect des normes énumérées ci-dessus.

Premier cycle de lavage

Avant la première mise en service de l'appareil, effectuer un cycle de lavage avec un produit lessiviel mais sans linge et sélectionner le programme .

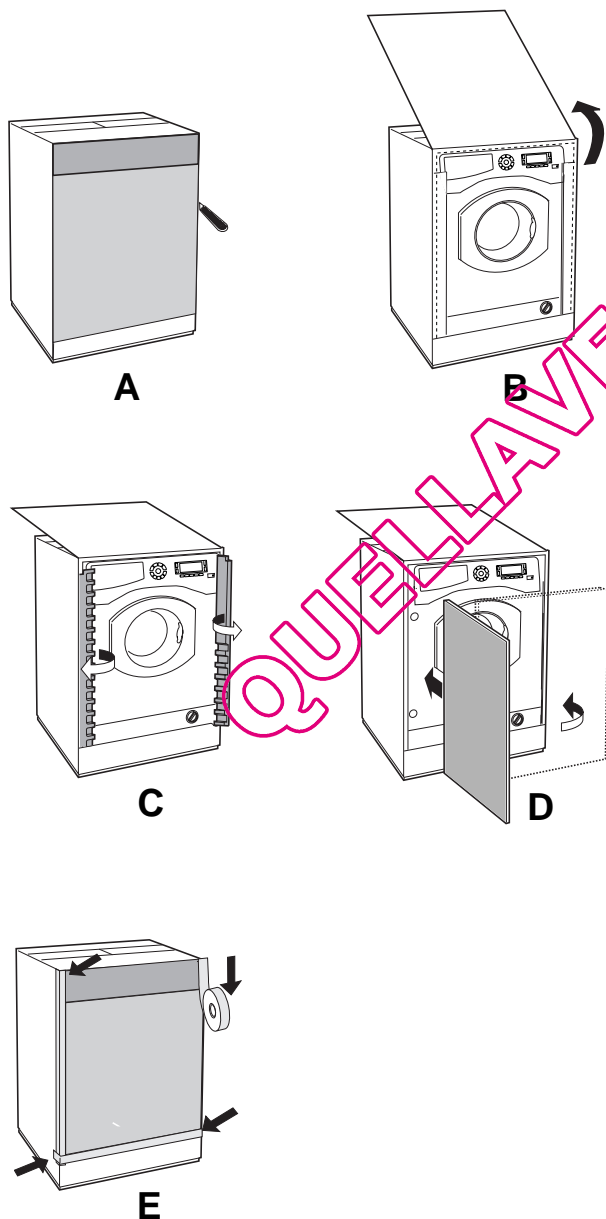
Caractéristiques techniques

Modèle	SMLE 129
Dimensions	largeur 59,5 cm hauteur 81,5 cm profondeur 54,5 cm
Capacité	de 1 à 7 kg
Raccordements électriques	Voir la plaque signalétique appliquée sur la machine
Raccordements hydrauliques	pression maximale 1 MPa (10 bar) pression minimale 0,05 MPa (0,5 bar) capacité du tambour 52 litres
Vitesse d'essorage	jusqu'à 1200 tours minute
Programmes de contrôle selon la norme 2010/1061	programme  (90°C); température 60°C et 40°C; (appuyer sur la touche TEMPÉRATURE).
	Cet appareil est conforme aux Directives Communautaires suivantes: - 2004/108/CE (Compatibilité électromagnétique) - 2002/96/CE - 2006/95/CE (Basse Tension)

Instructions pour l'installateur

Application du panneau d'habillage en bois sur la porte et montage du machine à laver à l'intérieur des éléments:

Au cas où, après le montage du panneau en bois, il faudrait expédier la machine pour son installation finale, nous vous conseillons de la laisser dans son emballage d'origine. L'emballage a été justement réalisé de manière à permettre le montage du panneau en bois sur la machine sans déballer complètement le produit (voir figures ci-dessous). Le panneau en bois couvrant la façade ne doit pas avoir plus de **18 mm** d'épaisseur, il peut être articulé tant à droite qu'à gauche. Pour plus de facilité d'emploi, nous conseillons d'adopter le même sens d'ouverture que pour le hublot dont les charnières sont montées sur le côté gauche.



Accessoires montage porte (Fig.1-2-3-4-5).

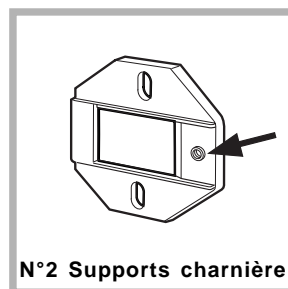


Fig. 1

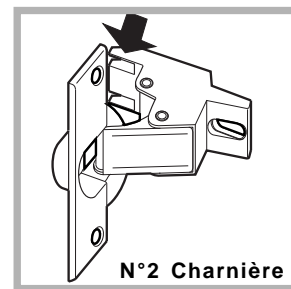


Fig. 2

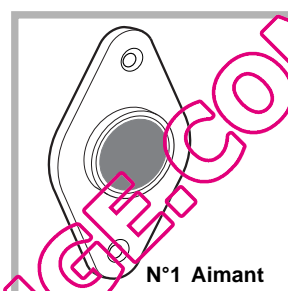


Fig. 3

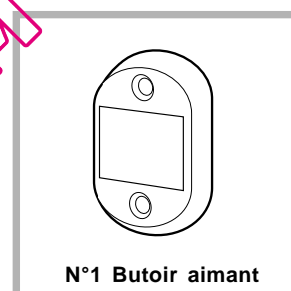


Fig. 4



Fig. 5

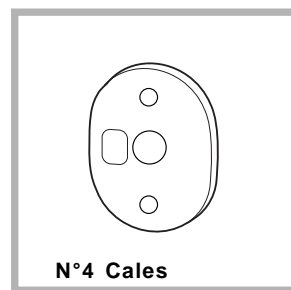


Fig. 4/B

- 6 vis autotaraudeuses $l = 13 \text{ mm}$ "type **A**".
- 2 vis métriques à tête évasée $l = 25 \text{ mm}$ "type **B**"; pour fixation du butoir aimant au meuble.
- 4 vis métriques $l = 15 \text{ mm}$ "type **C**"; pour montage des supports charnière au meuble.
- 4 vis métriques $l = 7 \text{ mm}$ "type **D**"; pour montage des charnières aux supports.

Montage des pièces sur la façade de la machine.

- Montez les supports de la charnière sur la façade, en positionnant le trou indiqué par une flèche dans la fig. 1 vers l'intérieur de la façade et interposez une cale (fig. 4/B). Utilisez les vis type **C**.
- Montez le butoir aimant du côté opposé en haut et interposez deux cales (fig. 4/B). Utilisez les deux vis type **B**.

Utilisation du gabarit de forage.

- Pour marquer l'emplacement des trous sur le côté du panneau, alignez le gabarit de perçage avec le côté supérieur gauche du panneau en vous servant des lignes tracées aux extrémités.
- Pour marquer l'emplacement des trous sur le côté droit du panneau, alignez le gabarit de perçage avec le côté supérieur droit du panneau.
- Réalisez à l'aide d'une fraise appropriée les quatre emplacements où devront trouver place les deux charnières, la cheville en caoutchouc et l'aimant.

Montage des pièces sur le panneau en bois (Porte).

- Montez les charnières aux emplacements prévus (la partie mobile de la charnière doit se trouver vers l'extérieur du panneau) et fixez-les à l'aide de 4 vis type **A**.
 - Montez l'aimant à son emplacement en haut, à l'opposé des charnières et fixez-le au moyen de deux vis type **B**.
 - Montez la cheville en caoutchouc à sa place en bas.
- Le panneau est à présent prêt, vous pouvez le monter sur la machine.

Montage du panneau sur la machine.

Introduisez l'ergot de la charnière indiqué par la flèche *fig. 2* dans le logement du support charnière, poussez le panneau vers la façade de la machine et fixez les deux charnières à l'aide des deux vis type **D**.

Fixation du support de la base.

Si la machine est installée à une extrémité de la cuisine intégrée, montez une ou les deux glissières du socle comme illustré *fig. 8* en réglant leur profondeur en fonction de la position du socle et, au besoin, fixez-le à ces dernières *fig. 9*. Pour monter le support de la base, procédez comme suit (*fig. 8*): Fixez l'équerre **P** à l'aide de la vis **R**, insérez le support de la base **Q** dans la fente prévue et après l'avoir dûment positionné bloquez-le à l'aide de l'équerre d'assemblage **P** et de la vis **R**.

Montage de la machine à l'intérieur des éléments.

- Poussez la machine à travers l'ouverture en l'alignant aux autres meubles (*fig. 6*).
 - Servez-vous des pieds de réglage pour amener la machine à la hauteur désirée.
 - Pour régler la position du panneau en bois à la verticale et à l'horizontale, servez-vous des vis **C** et **D** comme illustré *fig. 7*.
- Important:** fermez la partie inférieure de la façade, la base touchant au sol.

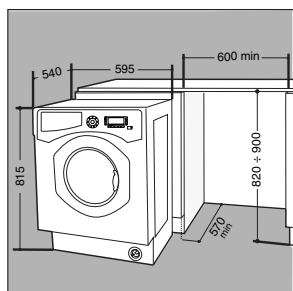


Fig. 6

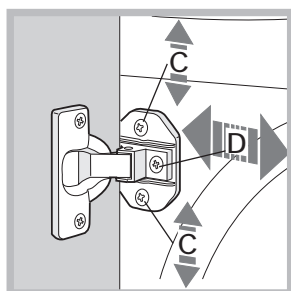


Fig. 7

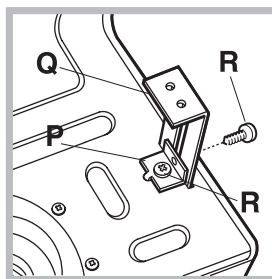


Fig. 8

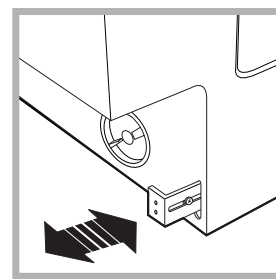


Fig. 9

Accessoires fournis pour le réglage de la hauteur.

Vous trouverez à l'intérieur du couvercle en polystyrène (*fig. 10*): 2 traverses (**G**); 1 listel (**M**);

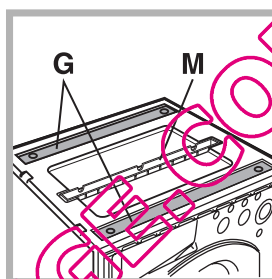


Fig. 10

Réglage de la machine en hauteur.

La machine peut être réglée en hauteur (de **815 mm** à **835 mm**) à l'aide de ses **4** pieds.

Si vous souhaitez l'amener à une hauteur supérieure à celle qui est indiquée plus haut, c'est à dire jusqu'à **870 mm**, utilisez les accessoires suivants :

les 2 traverses (**G**); les 4 pieds (**H**); les 4 vis (**I**); les 4 écrous (**L**) puis procédez comme suit (*fig. 11*):

démontez les **4** pieds originaux, positionnez une traverse **G** dans la partie avant de la machine, fixez-la à l'aide des vis **I** (en les vissant dans les trous où étaient fixés les pieds originaux) puis montez les nouveaux pieds **H**.

Procédez de même dans la partie arrière de la machine.

Vous pouvez alors régler les pieds **H** pour élever ou abaisser la machine de **835 mm** à **870 mm**.

Après avoir atteint la hauteur désirée, bloquez les écrous **L** à la traverse **G**.

Pour régler la machine à une hauteur comprise entre **870 mm** et **900 mm**, montez le listel **M** et réglez les pieds **H** jusqu'à la hauteur souhaitée.

Pour monter le listel, procédez comme suit:

desserrez les trois vis **N** situées dans la partie avant du couvercle, montez le listel **M** comme illustré *fig. 12* et serrez les vis **N**.

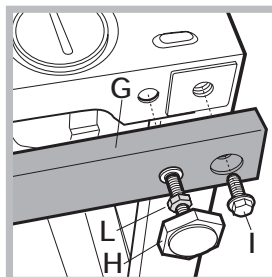


Fig. 11

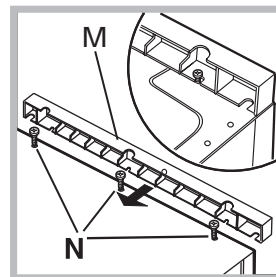
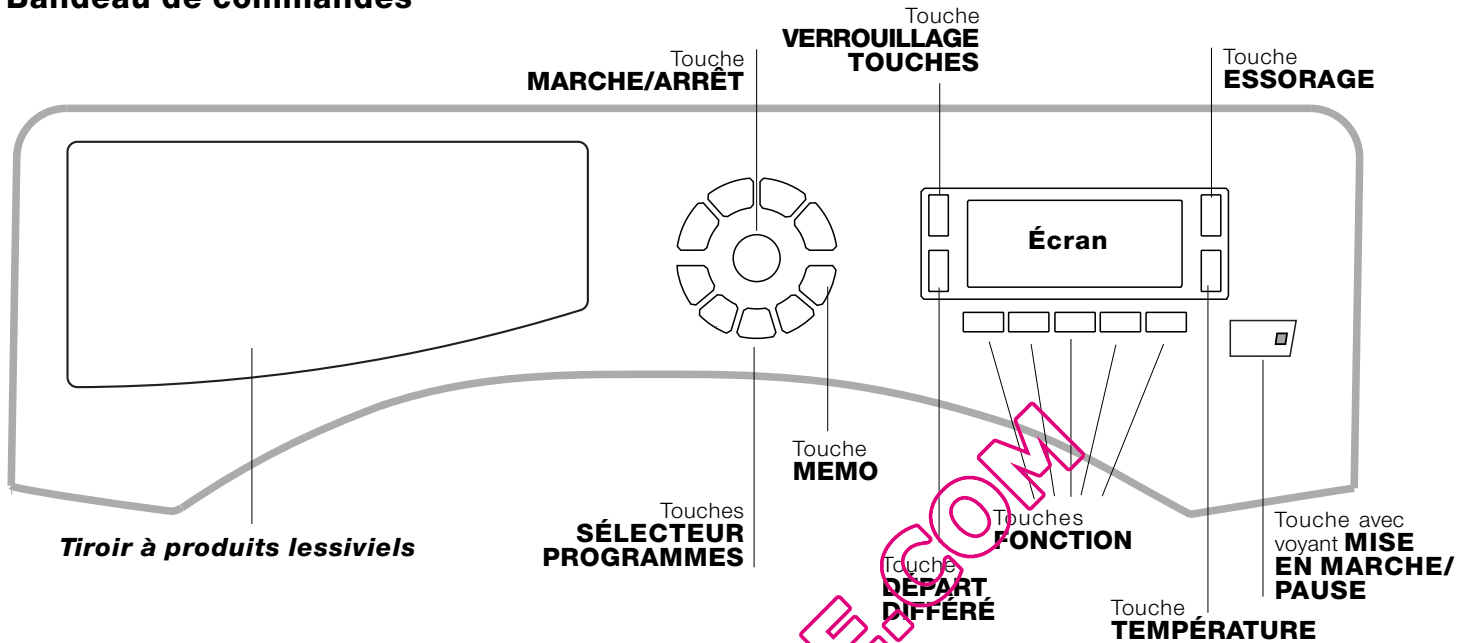



Fig. 12

Description du lave-linge

Bandeau de commandes




Tiroir à produits lessiviels: pour charger les produits lessiviels et les additifs (voir "Produits lessiviels et linge").


Tasto **MARCHE/ARRÊT** : appuyer brièvement sur la touche pour allumer ou éteindre l'appareil. Le voyant vert MISE EN MARCHÉ/PAUSE clignotant lentement indique que la machine est allumée. Pour éteindre le lave-linge en cours de lavage, appuyer sur la touche pendant au moins 2 secondes de suite ; une pression brève ou accidentelle n'entraîne pas l'arrêt de l'appareil. L'arrêt de l'appareil pendant un lavage annule le lavage en cours.



Touches **SÉLECTEUR PROGRAMMES:** pour sélectionner le programme désiré (voir "Tableau des programmes").


Touche **MEMO:** maintenir la touche enfoncée pour mémoriser un cycle et les personnalisations préférées. Pour retourner à un cycle précédemment mémorisé, appuyer sur la touche MEMO.

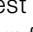
Touches **FONCTION:** appuyer sur la touche pour sélectionner la fonction désirée. Le voyant correspondant s'affiche à l'écran.

Touche **ESSORAGE** : appuyer sur cette touche pour diminuer la vitesse de l'essorage ou pour le supprimer complètement - la valeur correspondante s'affiche à l'écran.

Touche **TEMPÉRATURE** : appuyer pour diminuer la température : la valeur correspondante est affichée à l'écran.

Touche **VERROUILLAGE TOUCHES** : pour **activer** le verrouillage des commandes, garder la touche enfoncée pendant environ 2 secondes. Le symbole  allumé indique que le bandeau de commandes est verrouillé. Ceci permet d'éviter toute modification involontaire des programmes, surtout s'il y a des enfants à la maison. Pour **désactiver** le verrouillage des commandes, garder la touche enfoncée pendant environ 2 secondes.

Touche **DÉPART DIFFÉRÉ** : appuyer sur cette touche pour sélectionner un départ différé pour le programme choisi. Le retard est affiché à l'écran.

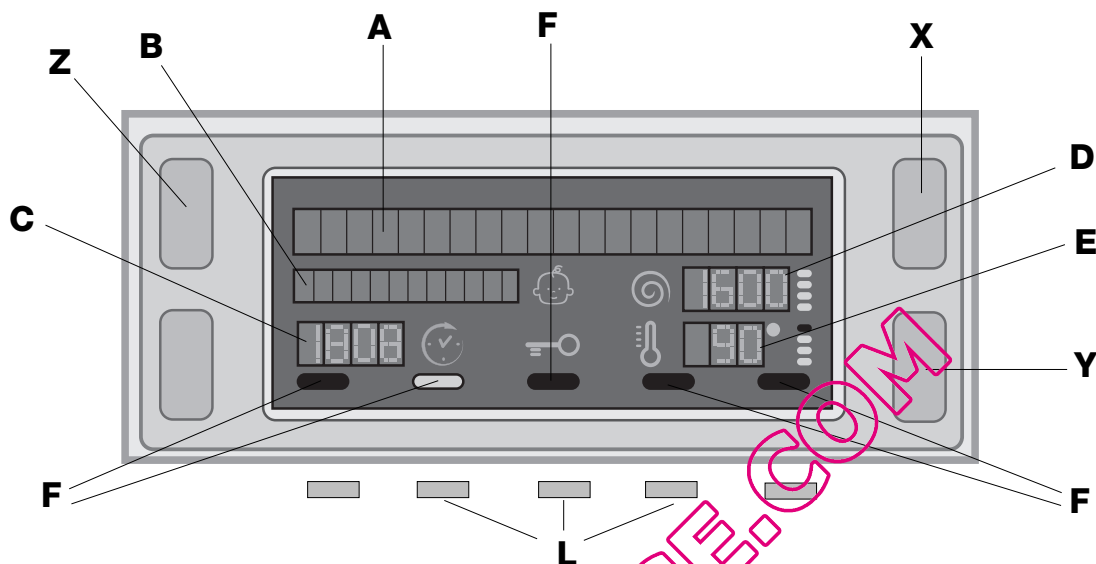
Touche avec voyant **MISE EN MARCHÉ/PAUSE:** quand le voyant vert clignote lentement, appuyer sur la touche pour démarrer un lavage. Une fois le cycle lancé, le voyant passe à l'allumage fixe. Pour activer une pause de lavage, appuyer à nouveau sur la touche ; le voyant passe à l'orange et se met à clignoter. Si le symbole  n'est pas allumé, il est possible d'ouvrir le hublot. Pour faire redémarrer le lavage exactement à l'endroit de l'arrêt, appuyer une nouvelle fois sur la touche.

Stand-by

Ce lave-linge, conformément aux nouvelles normes en vigueur dans le domaine de l'économie d'énergie, est équipée d'un système d'extinction automatique (veille) activé après environ 30 minutes d'inutilisation. Appuyez brièvement sur la touche MARCHE/ARRÊT et attendre que la machine soit réactivée.

Écran

FR



L'écran est utile pour programmer la machine et fournit de multiples renseignements.

Les deux chaînes supérieures **A** et **B** affichent le programme de lavage sélectionné, la phase de lavage en cours et toutes les indications relatives au déroulement du programme.

La chaîne **C** affiche le temps restant à la fin du cycle de lavage en cours et si un DÉPART DIFFÉRÉ a été sélectionné, le temps restant avant le démarrage du programme sélectionné.

La chaîne **D** affiche la valeur maximum de la vitesse d'essorage que la machine peut effectuer en fonction du programme sélectionné ; si le programme ne prévoit pas d'essorage, la chaîne reste éteinte.

La chaîne **E** affiche la valeur maximale de la température qui peut être sélectionnée en fonction du programme choisi ; si le programme ne prévoit pas la sélection de la température, la chaîne reste éteinte.

Les voyants **F** correspondent aux fonctions et s'allument quand la fonction programmée est compatible avec le programme sélectionné.

Symbole **verrouillage hublot**

Le symbole allumé indique que le hublot est verrouillé pour éviter toute ouverture accidentelle. Pour éviter d'abîmer l'appareil, attendre que le symbole s'éteigne avant d'ouvrir le hublot.

N.B.: si la fonction DÉPART DIFFÉRÉ est active, le hublot reste verrouillé, pour l'ouvrir mettre la machine en pause en appuyant sur la touche MISE EN MARCHÉ/PAUSE.


! À la première mise en service, un message s'affiche demandant de sélectionner la langue et l'écran entre automatiquement dans le menu de sélection de la langue.

Pour choisir la langue désirée, appuyer sur les touches **X** et **Y**; pour confirmer la sélection, appuyer sur la touche **Z**. Pour changer de langue, éteindre l'appareil, appuyer **simultanément** sur les trois touches indiquées par la référence **L** de la figure jusqu'au signal sonore. Rallumer l'appareil, le menu de sélection de la langue s'affiche.

Comment faire un cycle de lavage

FR

1. METTRE L'APPAREIL SOUS TENSION.

Appuyer sur la touche , l'inscription BIENVENU s'affiche à l'écran ; le voyant de MISE EN MARCHE/PAUSE passe au vert et clignote lentement.

2. CHARGER LE LINGE.

Ouvrir la porte hublot. Charger le linge en faisant attention à ne pas dépasser la quantité indiquée dans le tableau des programmes de la page suivante.

3. DOSER LE PRODUIT LESSIVIEL.

Sortir le tiroir et placer le produit lessiviel dans les bacs correspondants comme indiqué au paragraphe "Detersifs et linge".




4. FERMER LE HUBLOT.

5. CHOISIR LE PROGRAMME.


Appuyer sur l'une des touches du SÉLECTEUR PROGRAMMES pour sélectionner le programme désiré ; le nom du programme est affiché à l'écran avec attribution d'une température et d'une vitesse d'essorage qui peuvent être modifiées. La durée du cycle s'affiche sur l'écran.

6. PERSONNALISER LE CYCLE DE LAVAGE.

Appuyer sur les touches correspondantes :

 **Modifier la température et/ou la vitesse d'essorage.** L'appareil sélectionne automatiquement la température et la vitesse d'essorage maximales prévues pour le programme sélectionné qui ne peuvent par conséquent pas être augmentées. Par pression sur la touche  on peut diminuer progressivement la température de lavage jusqu'à un lavage à froid "OFF". Par pression sur la touche  on peut diminuer progressivement la vitesse d'essorage jusqu'à sa suppression totale "OFF". Une autre pression sur les touches ramènera les valeurs aux maximales prévues.

Sélectionner un départ différé.

Pour programmer le départ différé d'un programme sélectionné, appuyer sur la touche correspondante jusqu'à ce que le retard désiré soit atteint. Quand cette option est active, le symbole  s'affiche à l'écran. Pour annuler le départ différé, appuyer sur la touche jusqu'à ce que l'inscription OFF s'affiche à l'écran.

Modifier les caractéristiques du cycle.


- Appuyer sur la touche pour activer la fonction; le voyant correspondant à la touche s'allume.
- Appuyer de nouveau sur la touche pour désactiver la fonction ; le voyant s'éteint.

! Si la fonction sélectionnée est incompatible avec le programme sélectionné, le voyant se met à clignoter et la fonction n'est pas activée.


! Si la fonction sélectionnée est incompatible avec une autre fonction précédemment sélectionnée, le voyant correspondant à la première fonction se met à clignoter et seule la deuxième fonction est activée alors que le voyant de la fonction activée s'allume.

! Les fonctions permettent de modifier le chargement conseillé et/ou la durée du cycle de lavage.

7. DEMARRER LE PROGRAMME.

Appuyer sur la touche MISE EN MARCHE/PAUSE. Le voyant correspondant s'allume en vert fixe et le hublot est verrouillé (symbole HUBLOT VERROUILLÉ  allumé). Pendant le lavage, le nom de la phase en cours s'affiche à l'écran. Pour modifier un programme lorsqu'un cycle est en cours, **mettre le lave-linge en pause** en appuyant sur la touche MISE EN MARCHE/PAUSE (le voyant MISE EN MARCHE/PAUSE passe à l'orange et clignote lentement), sélectionner le cycle désiré et appuyer de nouveau sur la touche MISE EN MARCHE/PAUSE.

8. FIN DU PROGRAMME.

Elle est signalée par l'inscription "FIN DE CYCLE" qui s'affiche à l'écran; quand le symbole HUBLOT VERROUILLÉ  s'éteint, on peut ouvrir le hublot. Ouvrir le hublot, vider le lave-linge et éteindre l'appareil.

! Une pression prolongée sur la touche  permet d'annuler un cycle déjà lancé. Le cycle est interrompu et la machine s'éteint.

Tableau des programmes

Programmes	Description du Programme	Temp. maxi. (°C)	Vitesse maxi (tours/minute)	Produits lessiviels				Charge maxi (Kg)	Charge maxi (Kg)	Durée cycle	
				Pré-lavage	Javel	Lavage	Assouplissant				
Programmes pour tous les jours											
	Coton (1-2): blancs extrêmement sales.	90°	1200	●	●	●	●	7	3	La durée des programmes de lavage est contrôlable sur l'afficheur.	
	Coton: blancs et couleurs résistantes très sales.	60°	1200	●	●	●	●	7	3		
	Coton (3): blancs et couleurs délicates très sales.	40°	1200	●	●	●	●	7	3		
	Synthétique (1 ^{re} pression de la touche): couleurs résistantes très sales.	60°	800	●	●	●	●	3	1,5		
	Synthétique (2 ^e pression de la touche): couleurs résistantes peu sales.	40°	800	●	●	●	●	3	1,5		
	Mix 30' (1 ^{re} pression de la touche): pour rafraîchir rapidement du linge peu sale (ne convient pas pour la laine, la soie et le linge à laver à la main).	30°	800	-	-	●	●	3	-		
	Mix 15' (2 ^e pression de la touche): pour rafraîchir rapidement du linge peu sale (ne convient pas pour la laine, la soie et le linge à laver à la main).	30°	800	-	-	●	●	1,5	-		
Programmes Spéciaux/ Memo											
	Cycle Bébé: couleurs délicates très sales.	40°	800	-	●	●	●	2	1		
	Memo: permet de mémoriser un cycle de lavage quelconque.										
	Soie/Rideaux: pour linge en soie, viscose, lingerie.	30°	0	-	-	●	●	1	1		
	Laine: pour laine, cachemire, etc.	40°	800	-	-	●	●	1,5	1		
Programmes partiels											
	Essorage rapide (1 ^{re} pression de la touche)	-	1200	-	-	-	-	7	-		
	Essorage délicat (2 ^e pression de la touche)	-	800	-	-	-	-	3	-		
	Rinçage résistant (1 ^{re} pression de la touche)	-	1200	-	●	-	●	7	3		
	Vidange (2 ^e pression de la touche)	-	0	-	-	-	-	7	-		

La durée du cycle indiquée sur l'écran ou dans la notice représente une estimation calculée dans des conditions standard. Le temps effectif peut varier en fonction de nombreux facteurs tels que : température et pression de l'eau en entrée, température ambiante, quantité de lessive, quantité et type de charge, équilibrage de la charge, options supplémentaires sélectionnées.

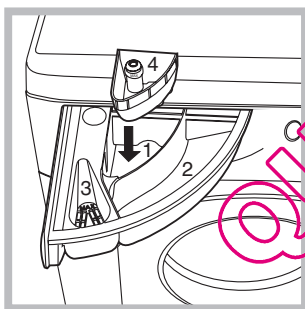
Pour tous les instituts qui effectuent ces tests :

- (1) Programme de contrôle selon la norme 2010/1061 : sélectionner le programme (90°C) température 60°C et 40°C (appuyer sur la touche TEMPÉRATURE).
- (2) Programme coton long: sélectionner le programme 90°C température 40°C; (appuyer sur la touche TEMPÉRATURE).
- (3) Programme coton court: sélectionner le programme (40°C).

Fonctions de lavage

Anti-taches

Cette fonction est très utile pour éliminer les taches les plus résistantes.



Monter le bac supplémentaire 4 fourni avec l'appareil à l'intérieur du bac 1. Au moment de verser l'eau de Javel, attention à ne pas dépasser le niveau "max" indiqué sur le pivot central (voir figure). Pour n'effectuer qu'un blanchissage, verser l'eau de Javel dans le bac supplémentaire 4, sélectionner le programme "Rinçage" et

activer la fonction "Anti-taches". Pour blanchir en cours de lavage, verser le produit lessiviel et les additifs, sélectionner le programme souhaité et activer la fonction "Anti-taches".

L'utilisation du bac supplémentaire 4 exclut le pré-lavage.

! Cette fonction n'est pas activable avec les programmes , , , , "Vidange".

Pré-lavage

Cette fonction est très utile pour éliminer les taches les plus résistantes.

! Cette fonction n'est pas activable avec les programmes , , , , .

Super Rinçage

La sélection de cette option permet d'augmenter l'efficacité du rinçage et d'éliminer totalement toute trace de lessive. Elle est très utile pour les peaux particulièrement sensibles.

! Cette fonction n'est pas activable avec les programmes , , et "Vidange".

Repassage facile

En cas de sélection de cette fonction, le lavage et l'essorage seront dûment modifiés pour réduire la formation de plis. À la fin du cycle de lavage, le lave-linge fait tourner le tambour lentement; le voyant de la fonction REPASSAGE FACILE et celui de MISE EN MARCHÉ/PAUSE se mettent à clignoter (orange), l'inscription "FIN DE CYCLE" s'affiche à l'écran. Pour compléter le cycle, il faut appuyer sur la touche MISE EN MARCHÉ/PAUSE ou sur la touche REPASSAGE FACILE. Pour le programme "Soie" l'appareil arrive au bout du cycle en laissant le linge tremper, le voyant REPASSAGE FACILE clignote et celui de MISE EN MARCHÉ/PAUSE se mettent à clignoter (orange), l'inscription "ARRÊT CUVE PLEINE" s'affiche à l'écran. Pour vidanger l'eau et sortir le linge, appuyer sur la touche MISE EN MARCHÉ/PAUSE ou sur la touche REPASSAGE FACILE.

! Cette option n'est pas activable avec les programmes , , , et "Vidange".

Charge mini

Cette fonction est conseillée quand la charge de linge est inférieure ou égale à la moitié de la charge max. conseillée (voir Tableau des programmes).

! Cette fonction n'est pas activable avec les programmes , , et "Vidange".

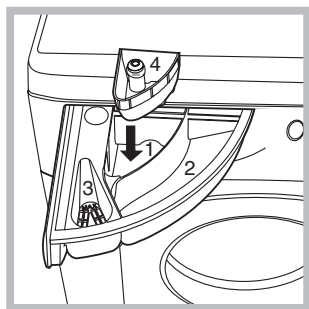
Produits lessiviels et linge

FR

Tiroir à produits lessiviels

Un bon résultat de lavage dépend aussi d'un bon dosage de produit lessiviel: un excès de lessive ne lave pas mieux, il incruste l'intérieur du lave-linge et pollue l'environnement.

! Ne pas utiliser de lessives pour lavage à la main, elles moussent trop.



Sortir le tiroir à produits lessiviels et verser la lessive ou l'additif comme suit.

bac 1: Lessive pré lavage (en poudre)

Avant d'introduire la lessive, s'assurer que le bac supplémentaire 4 n'est pas présent.

bac 2: Lessive lavage (en poudre ou liquide)

Verser la lessive liquide juste avant la mise en marche.

bac 3: Additifs (assouplissant, etc.)

L'assouplissant ne doit pas déborder de la grille.

bac supplémentaire 4: Produit javalisé

Triage du linge

- Trier correctement le linge d'après:
 - le type de textile / le symbole sur l'étiquette.
 - les couleurs: séparer le linge coloré du blanc.
- Vider les poches et contrôler les boutons.
- Ne pas dépasser les valeurs indiquées correspondant au poids de linge sec :
 - Textiles résistants: 7 kg max.
 - Textiles synthétiques: 5 kg max.
 - Textiles délicats: 2 kg max.
 - Laine: 1,5 kg max.
 - Soie: 1 kg max.

Combien pèse le linge ?

- 1 drap 400-500 g
- 1 taie d'oreiller 150-200 g
- 1 nappe 400-500 g
- 1 peignoir 900-1200 g
- 1 serviette éponge 150-250 g

Programmes spéciaux

Mix 30': spécialement conçu pour laver du linge peu sale en un rien de temps: il ne dure que 30 minutes et permet ainsi de faire des économies d'énergie et de temps. La sélection de ce programme (☺) à 30°C permet de laver ensemble des textiles différents (sauf laine et soie) en ne dépassant pas 3 kg de charge.

Mix 15': spécialement conçu pour laver du linge peu sale en un rien de temps: il ne dure que 15 minutes et permet ainsi de faire des économies d'énergie et de temps. La sélection de ce programme (☺) à 30°C permet de laver ensemble des textiles différents (sauf laine et soie) en ne dépassant pas 1,5 kg de charge.

Babè: programme spécial. Idéal pour le lavage des vêtements d'enfants souvent très sales, il élimine toute trace de lessive du linge pour protéger leur peau délicate et éviter tout risque d'allergie. Spécialement conçu pour diminuer la charge bactérienne, ce cycle utilise une plus grande quantité d'eau et optimise l'effet des additifs désinfectants spécifiques ajoutés à la lessive.

En fin de lavage, l'appareil fait tourner le tambour lentement pour éviter de froisser le linge. Pour compléter le cycle appuyer sur la touche MISE EN MARCHÉ/PAUSE.

Soie: sélectionner le programme de lavage spécial pour vêtements en soie. Il est conseillé d'utiliser une lessive spéciale pour linge délicat.

Rideaux: nous recommandons de les plier et de les mettre dans le sachet fourni avec la machine. Sélectionner le programme.

Laine: Scholtès est le seul lave-linge à avoir obtenu le prestigieux label Woolmark Platinum Care (M.0508) délivré par The Woolmark Company qui garantit le lavage à la machine de tous les vêtements en laine, y compris ceux qui portent l'étiquette "lavage à la main uniquement". Grâce au programme on peut donc laver à la machine, en toute tranquillité, tous les vêtements en laine (max.

1,5 kg) avec des performances de lavage optimales.

Système d'équilibrage de la charge

Avant tout essorage, pour éviter toute vibration excessive et répartir le linge de façon uniforme, le lave-linge fait tourner le tambour à une vitesse légèrement supérieure à la vitesse de lavage. Si au bout de plusieurs tentatives, la charge n'est toujours pas correctement équilibrée, l'appareil procède à un essorage à une vitesse inférieure à la vitesse normalement prévue. En cas de déséquilibre excessif, le lave-linge préfère procéder à la répartition du linge plutôt qu'à son essorage. Pour une meilleure répartition de la charge et un bon équilibrage, nous conseillons de mélanger de grandes et petites pièces de linge.

! Ce lave-linge a été conçu et fabriqué conformément aux normes internationales de sécurité. Ces consignes sont fournies pour des raisons de sécurité, il faut les lire attentivement.

Sécurité générale

- Cet appareil est conçu pour un usage domestique.
- Cet appareil n'est pas destiné à être utilisé par des personnes (enfants compris) dont les capacités physiques, sensorielles ou mentales sont réduites ou qui ne disposent pas des connaissances ou de l'expérience nécessaires, à moins qu'elles n'aient été formées et encadrées pour l'utilisation de cet appareil par une personne responsable de leur sécurité. Surveiller les enfants pour s'assurer qu'ils ne jouent pas avec l'appareil.
- Ne jamais toucher l'appareil si l'on est pieds nus et si les mains sont mouillées ou humides.
- Ne jamais tirer sur le câble pour débrancher la fiche de la prise de courant.
- Ne pas ouvrir le tiroir à produits lessiviels si la machine est branchée.
- Ne pas toucher à l'eau de vidange, elle peut atteindre des températures très élevées.
- Ne pas forcer pour ouvrir le hublot: le verrouillage de sécurité qui protège contre les ouvertures accidentelles pourrait s'endommager.
- En cas de panne, éviter à tout prix d'accéder aux mécanismes internes pour tenter une réparation.
- Veiller à ce que les enfants ne s'approchent pas de l'appareil pendant son fonctionnement.
- Pendant le lavage, le hublot a tendance à se réchauffer.
- Deux ou trois personnes sont nécessaires pour déplacer l'appareil avec toutes les précautions nécessaires. Ne jamais le déplacer tout seul car il est très lourd.
- Avant d'introduire le linge, s'assurer que le tambour est bien vide.

Mise au rebut

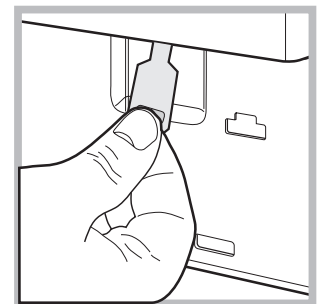
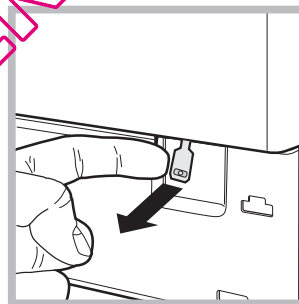
- Mise au rebut du matériel d'emballage: se conformer aux réglementations locales de manière à ce que les emballages puissent être recyclés.
- La Directive Européenne 2002/96/EC sur les Déchets des Equipements Electriques et Electroniques, exige que les appareils ménagers usagés ne soient pas jetés dans le flux normal des déchets municipaux. Les appareils usagés doivent être collectés séparément afin d'optimiser le taux de récupération et le recyclage des matériaux qui les composent et réduire l'impact sur la santé humaine

et l'environnement. Le symbole de la "poubelle barrée" est apposée sur tous les produits pour rappeler les obligations de collecte séparée. Les consommateurs devront contacter les autorités locales ou leur revendeur concernant la démarche à suivre pour l'enlèvement de leur vieil appareil.

Ouverture manuelle de la porte hublot

A défaut de pouvoir ouvrir la porte hublot à cause d'une panne de courant pour étendre le linge, procéder comme suit:

1. débrancher la fiche de la prise de courant.
2. s'assurer que le niveau de l'eau à l'intérieur de l'appareil se trouve bien au-dessous de l'ouverture du hublot, si ce n'est pas le cas vider l'eau en excès à travers le tuyau de vidange dans un seau.
3. se servir de la languette indiquée, tirer vers soi jusqu'à ce que le tirant en plastique se dégage de son cran d'arrêt; tirer ensuite vers le bas et ouvrir la porte en même temps.



Entretien et soin

FR

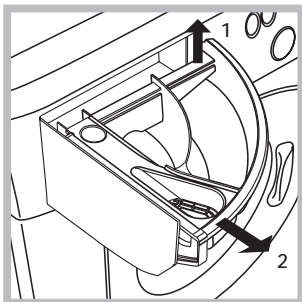
Coupure de l'arrivée d'eau et du courant

- Fermer le robinet de l'eau après chaque lavage. Cela réduit l'usure de l'installation hydraulique du lave-linge et évite tout danger de fuites.
- Débrancher la fiche de la prise de courant lors de tout nettoyage du lave-linge et pendant tous les travaux d'entretien.

Nettoyage du lave-linge

Pour nettoyer l'extérieur et les parties en caoutchouc, utiliser un chiffon imbibé d'eau tiède et de savon. N'utiliser ni solvants ni abrasifs.

Nettoyage du tiroir à produits lessiviels.



Soulever le tiroir et le tirer vers soi pour le sortir de son logement (voir figure). Le laver à l'eau courante; effectuer cette opération assez souvent.

Entretien du hublot et du tambour

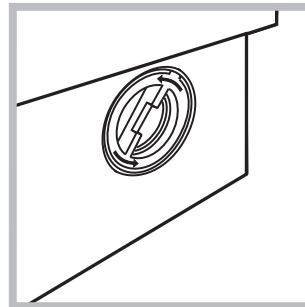
- Il faut toujours laisser le hublot entrouvert pour éviter la formation de mauvaises odeurs.

Nettoyage de la pompe

Le lave-linge est équipé d'une pompe autonettoyante qui n'exige aucune opération d'entretien. Il peut toutefois arriver que de menus objets (pièces de monnaie, boutons) tombent dans la préchambre qui protège la pompe, placée en bas de cette dernière.

! S'assurer que le cycle de lavage est bien terminé et débrancher la fiche.

Pour accéder à cette préchambre:



1. dévisser le couvercle en le tournant dans le sens inverse des aiguilles d'une montre (voir figure); il est normal qu'un peu d'eau s'écoule;

2. nettoyer soigneusement l'intérieur;
3. revisser le couvercle;

Contrôle du tuyau d'arrivée de l'eau

Contrôler le tuyau d'alimentation au moins une fois par an. Procéder à son remplacement en cas de craquellements et de fissures: car les fortes pressions subies pendant le lavage pourraient provoquer des cassures.

! N'utiliser que des tuyaux neufs.

Il peut arriver que le lave-linge ne fonctionne pas bien. Avant d'appeler le Service de dépannage (voir "Assistance"), contrôler s'il ne s'agit pas par hasard d'un problème facile à résoudre à l'aide de la liste suivante.

Anomalies:

Le lave-linge ne s'allume pas.

Causes / Solutions possibles:

- La fiche n'est pas branchée dans la prise de courant ou mal branchée.
- Il y a une panne de courant.

Le cycle de lavage ne démarre pas.

- Le hublot n'est pas bien fermé.
- La touche MARCHE/ARRÊT n'a pas été enfoncée.
- La touche MISE EN MARCHE/PAUSE n'a pas été enfoncée.
- Le robinet de l'eau n'est pas ouvert.
- Un départ différé a été sélectionné (voir "Comment faire un cycle de lavage").

Il n'y a pas d'arrivée d'eau (le message "Pas d'eau, ouvrir robinet" s'affiche à l'écran).

- Le tuyau d'arrivée de l'eau n'est pas raccordé au robinet.
- Le tuyau est plié.
- Le robinet de l'eau n'est pas ouvert.
- Il y a une coupure d'eau.
- La pression n'est pas suffisante.
- La touche MISE EN MARCHE/PAUSE n'a pas été enfoncée.

Le lave-linge prend l'eau et vidange continuellement.

- Le tuyau de vidange n'est pas installé à une distance du sol comprise entre 65 et 100 cm (voir "Installation").
 - L'extrémité du tuyau de vidange est plongée dans l'eau (voir "Installation").
 - L'évacuation murale n'a pas d'évent.
- Si après ces vérifications, le problème persiste, fermer le robinet de l'eau, éteindre la machine et appeler le service Assistance. Si l'appartement est situé en étage dans un immeuble, il peut y avoir des phénomènes de siphonnage qui font que le lave-linge prend et évacue l'eau continuellement. Pour supprimer cet inconvénient, on trouve dans le commerce des soupapes spéciales anti-siphonnage.

Le lave-linge ne vidange pas et n'essore pas.

- Le programme ne prévoit pas de vidange: pour certains programmes, il faut la faire partir manuellement ("Programmes et fonctions").
- La fonction REPASSAGE FACILE est activée: pour compléter le programme, appuyer sur la touche MISE EN MARCHE/PAUSE ("Programmes et fonctions").
- Le tuyau de vidange est plié (voir "Installation").
- La conduite d'évacuation est bouchée.

Le lave-linge vibre beaucoup pendant l'essorage.

- Le tambour n'a pas été débloqué comme il faut lors de l'installation du lave-linge (voir "Installation").
- Le lave-linge n'est pas posé à plat (voir "Installation").
- Le lave-linge est coincé entre des meubles et le mur (voir "Installation").

Le lave-linge a des fuites.

- Le tuyau d'arrivée de l'eau n'est pas bien vissé (voir "Installation").
- Le tiroir à produits lessiviels est bouché (pour le nettoyer voir "Entretien et soin").
- Le tuyau de vidange n'est pas bien fixé (voir "Installation").

L'appareil est bloqué, l'écran clignote et affiche un code d'anomalie (par ex. : F-01, F-...).

- Eteindre l'appareil et débrancher la fiche de la prise de courant, attendre 1 minute environ avant de rallumer.
- Si l'anomalie persiste, appeler le service d'assistance.

Il y a un excès de mousse.

- Le produit de lavage utilisé n'est pas une lessive spéciale machine (il faut qu'il y ait l'inscription "pour lave-linge", "main et machine", ou autre semblable).
- La quantité utilisée est excessive.

Assistance

FR

Avant d'appeler le service après-vente:

- Vérifier si on ne peut pas résoudre l'anomalie par ses propres moyens (voir "*Anomalies et Remèdes*");
- Remettre le programme en marche pour contrôler si l'inconvénient a disparu;
- Autrement, contacter le Centre d'Assistance technique agréé au numéro de téléphone indiqué sur le certificat de garantie.

! Ne jamais s'adresser à des techniciens non agréés.

Communiquer:

- le type de panne;
- le modèle de l'appareil (Mod.);
- son numéro de série (S/N).

Ces informations se trouvent sur la plaque signalétique apposée à l'arrière du lave-linge et à l'avant quand on ouvre la porte hublot.

QUELLAVELINGE.COM

ES

Español

SMLE 129

Sumario

Instalación, 30-31-32-33

Desembalaje y nivelación
Conexiones hidráulicas y eléctricas
Primer ciclo de lavado
Datos técnicos
Instrucciones para el instalador

Descripción de la lavadora, 34-35

Panel de control
Pantalla

Cómo efectuar un ciclo de lavado, 36

Programas y funciones, 37

Tabla de programas
Funciones de lavado

Detergentes y ropa, 38

Contenedor de detergentes
Preparar la ropa
Programas particulares
Sistema de equilibrado de la carga

Precauciones y consejos, 39

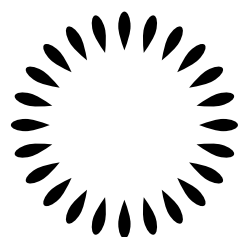
Seguridad general
Eliminaciones
Apertura manual de la puerta

Mantenimiento y cuidados, 40

Interrumpir el agua y la corriente eléctrica
Limpiar la lavadora
Limpiar el contenedor de detergentes
Cuidar la puerta y el cesto
Limpiar la bomba
Controlar el tubo de alimentación de agua

Anomalías y soluciones, 41

Asistencia, 42



Scholtès

Instalación

ES

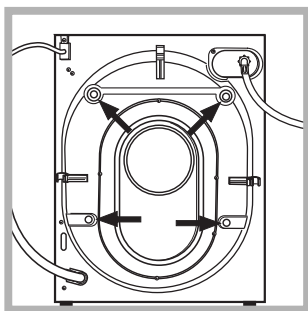
! Es importante conservar este manual para poder consultarlo en cualquier momento. En caso de venta, de cesión o de traslado, verifique que permanezca junto con la lavadora para informar al nuevo propietario sobre el funcionamiento y brindar las correspondientes advertencias.

! Lea atentamente las instrucciones: ellas contienen importante información sobre la instalación, el uso y la seguridad.

Desembalaje y nivelación

Desembalaje

1. Desembale la lavadora.
2. Controle que la lavadora no haya sufrido daños durante el transporte. Si estuviera dañada no la conecte y llame al revendedor.



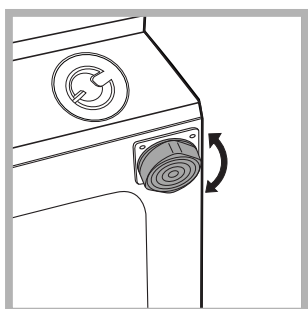
3. Quite los 4 tornillos de protección para el transporte y la arandela de goma con el correspondiente distanciador ubicados en la parte posterior (ver la figura).

4. Cubra los orificios con los tapones de plástico suministrados con el aparato.
5. Conserve todas las piezas: cuando la lavadora deba ser transportada nuevamente, deberán volver a colocarse.

! Los embalajes no son juguetes para los niños.

Nivelación

1. Instale la lavadora sobre un piso plano y rígido, sin apoyarla en las paredes, muebles ni en ningún otro aparato.

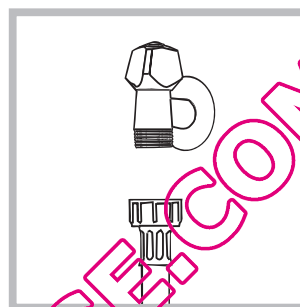


2. Si el piso no está perfectamente horizontal, compense las irregularidades desenroscando o enroscando las patas delanteras (ver la figura); el ángulo de inclinación medido sobre la superficie de trabajo, no debe superar los 2°.

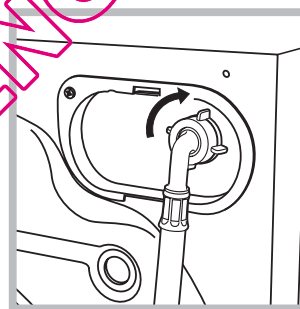
Una cuidadosa nivelación brinda estabilidad a la máquina y evita vibraciones, ruidos y desplazamientos durante el funcionamiento. Cuando se instala sobre moquetas o alfombras, regule los pies para conservar debajo de la lavadora un espacio suficiente para la ventilación.

Conexiones hidráulicas y eléctricas

Conexión del tubo de alimentación de agua



1. Conectar el tubo de tubo enroscándolo a un grifo de agua fría con la boca roscada de 3/4 gas (ver la figura). Antes de conectarlo, haga correr el agua hasta que esté límpida.



2. Conecte el tubo de alimentación a la lavadora enroscándolo en la toma de agua correspondiente ubicada en la parte posterior derecha (arriba) (ver la figura).

3. Controle que en el tubo no hayan pliegues ni estrangulaciones.

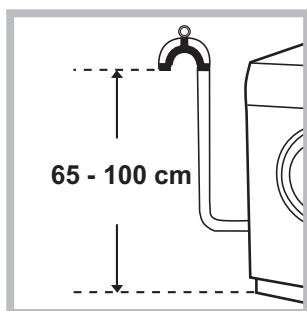
! La presión de agua del grifo debe estar comprendida dentro de los valores contenidos en la tabla de Datos técnicos (ver la página correspondiente).

! Si la longitud del tubo de alimentación no es la suficiente, diríjase a un negocio especializado o a un técnico autorizado.

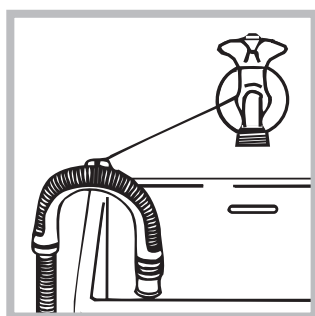
! No utilice nunca tubos ya usados.

! Utilice los suministrados con la máquina.

Conexión del tubo de descarga



Conecte el tubo de descarga, sin plegarlo, a una tubería de descarga o a una descarga de pared colocadas a una altura del piso entre 65 y 100 cm;



o apóyelo en el borde de un lavamanos o de una bañera, uniendo la guía suministrada con el aparato, al grifo (ver la figura). El extremo libre del tubo de descarga no debe permanecer sumergido en el agua.

! No se aconseja utilizar tubos de prolongación, si fuera indispensable hacerlo, la prolongación debe tener el mismo diámetro del tubo original y no superar los 150 cm.

Conexión eléctrica

Antes de enchufar el aparato, verifique que:

- la toma tenga la conexión a tierra y haya sido hecha según las normas legales;
- la toma sea capaz de soportar la carga máxima de potencia de la máquina indicada en la tabla de Datos técnicos (ver al costado);
- la tensión de alimentación esté comprendida dentro de los valores indicados en la tabla de Datos técnicos (ver al costado);
- la toma sea compatible con el enchufe de la lavadora. Si no es así, sustituya la toma o el enchufe.

! La lavadora no debe ser instalada al aire libre, ni siquiera si el lugar está reparado, ya que es muy peligroso dejarla expuesta a la lluvia o a las tormentas.

! Una vez instalada la lavadora, la toma de corriente debe ser fácilmente accesible.


! No utilice prolongaciones ni conexiones múltiples.

! El cable no debe estar plegado ni sufrir compresiones.

! El cable de alimentación debe ser sustituido sólo por técnicos autorizados.

¡Atención! La empresa fabricante declina toda responsabilidad en caso de que estas normas no sean respetadas.

Primer ciclo de lavado

Después de la instalación y antes del uso, realice un ciclo de lavado con detergente y sin ropa, seleccionando el programa .

Datos técnicos

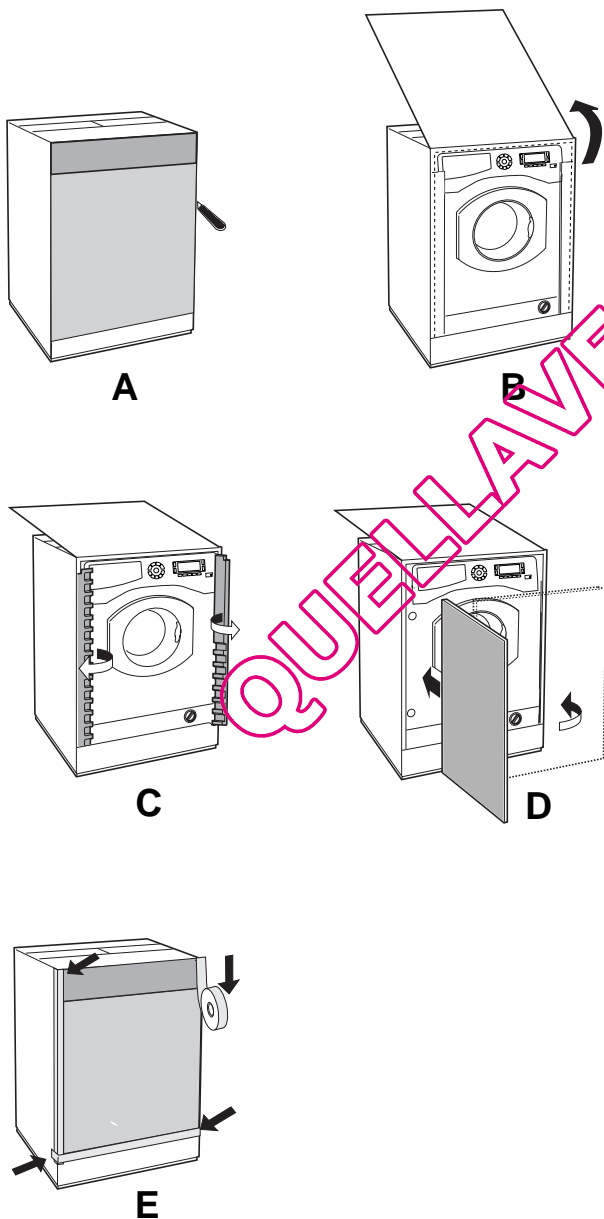
Modelo	SMLE 129
Dimensiones	ancho 59,5 cm. altura 81,5 cm. profundidad 54,5 cm.
Capacidad	de 1 a 7 kg.
Conexiones eléctricas	ver la placa de características técnicas aplicada en la máquina
Conexiones hídricas	presión máxima 1 MPa (10 bar) presión mínima 0,05 MPa (0,5 bar) capacidad del cesto 52 litros
Velocidad de centrifugado	máxima 1200 r.p.m.
Programas de control según la norma 2010/1061	programa  (90°C); temperatura 60°C y 40°; (Pulse el botón TEMPERATURA).
 	Esta máquina cumple con lo establecido por las siguientes Directivas de la Comunidad: - 2004/108/CE (Compatibilidad Electromagnética) - 2002/96/CE - 2006/95/CE (Baja Tensión)

Instrucciones para el instalador

Aplicación del panel de madera en la puerta e introducción de la máquina en los muebles:

En el caso en que, después del montaje del panel de madera, sea necesario trasladar la máquina para su instalación final, aconsejamos dejarla en su embalaje original. Debido a ello, el embalaje ha sido realizado en modo tal que permita el montaje del panel de madera en la máquina sin desembalar completamente el producto (ver las figuras siguientes).

El panel de madera que cubre la parte delantera debe ser de un espesor mayor de **18 mm** y puede ser embisagrado ya sea a la derecha o a la izquierda. Por motivos de practicidad en el uso de la máquina, se aconseja el mismo sentido de apertura de la portilla, o sea con las bisagras aplicadas a la izquierda.



Accesorios montaje puerta (Fig. 1-2-3-4-5).

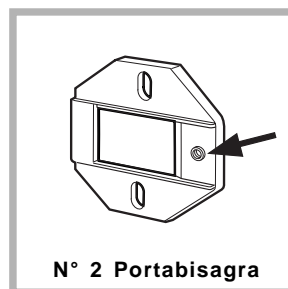


Fig. 1

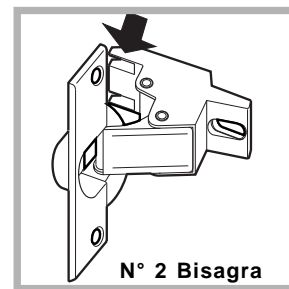


Fig. 2

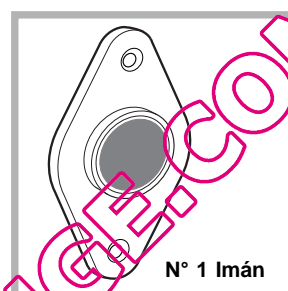


Fig. 3

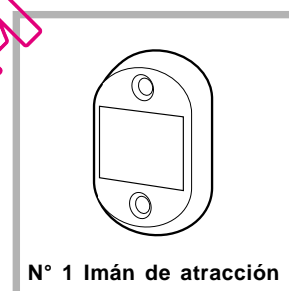


Fig. 4

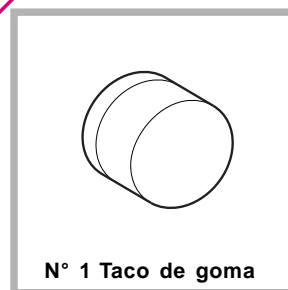


Fig. 5

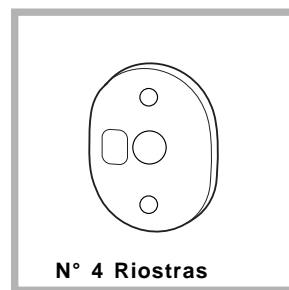


Fig. 4/B

- n° 6 tornillos de autoenroscado $l = 13 \text{ mm}$ "tipo **A**".
- n° 2 tornillos métricos de cabeza avellanada $l = 25 \text{ mm}$ "tipo **B**"; para la fijación, al mueble, del imán de atracción.
- n° 4 tornillos métricos $l = 15 \text{ mm}$ "tipo **C**"; para el montaje de los portabisagra en el mueble.
- n° 4 tornillos métricos $l = 7 \text{ mm}$ "tipo **D**"; para el montaje de las bisagras en los portabisagra.

Montaje de las piezas en la parte delantera de la máquina.

- Montar los soportes cremallera en la parte frontal posicionando el orificio indicado con una flecha en la *fig. 1* hacia adentro de la cara interponiendo una riostra (*fig. 4/B*), empleando los tornillos tipo **C**.
- Montar el tope magneto de la parte opuesta arriba interponiendo dos riostras (*fig. 4/B*) utilizando los dos tornillos tipo **B**.

Uso de la guía para taladrar.

- Para marcar las posiciones de los orificios en la parte izquierda del panel, alinear el patrón de perforación en la parte superior e izquierda de dicho panel, tomando como referencia las líneas trazadas en los extremos.
- Para marcar las posiciones de los orificios en la parte derecha del panel, alinear el patrón de perforación en la parte superior y derecha de dicho panel.
- Con una fresa de las dimensiones adecuadas realizar los cuatro orificios que deberán alojar las dos bisagras, el taco de goma y el imán.

Montaje de las piezas en la puerta.

- Introducir las bisagras en los orificios correspondientes (la parte móvil de la bisagra debe encontrarse hacia el exterior del panel) y fijarlas con 4 tornillos de tipo **A**.
 - Introducir el imán en el orificio ubicado arriba en la parte opuesta a las bisagras y fijarlo con dos tornillos de tipo **B**.
 - Introducir el taco de goma en el orificio ubicado abajo.
- A partir de este momento, el panel está listo para ser montado en la máquina.

Montaje del panel en la máquina.

Introducir la punta de la bisagra, indicada por la flecha en la *fig. 2* en el orificio del portabisagra, empujar el panel hacia la parte delantera de la máquina y fijar las dos bisagras con los dos tornillos de tipo **D**.

Fijación de la guía del zócalo.

Si la máquina ha sido instalada en un extremo de los muebles de la cocina, montar una o ambas guías del zócalo como se indica en la *fig. 8*, regulando su profundidad en función de la posición del zócalo y si es necesario fijarlo a las mismas (*fig. 9*). Para instalar la guía del zócalo realice las siguientes operaciones (*fig. 8*):

Fije la escuadra **P** con el tornillo **R**, introduzca la guía del zócalo **Q** en la ranura correspondiente y una vez ubicada en el punto deseado, fije la escuadra **P** con el tornillo **R**.

Colocación de la máquina en los muebles.

- Empujar la máquina en el espacio destinado a él alineándola con los otros muebles (*fig. 6*).
- Accionar las patitas de regulación para llevar la máquina a la altura deseada.
- Para regular la posición del panel de madera en sentido vertical y horizontal, accionar los tornillos **C** y **D** como se indica en la *fig. 7*.

Importante: cierre la parte inferior del frente con el zócalo apoyado en el piso.

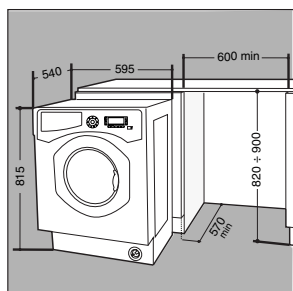


Fig. 6

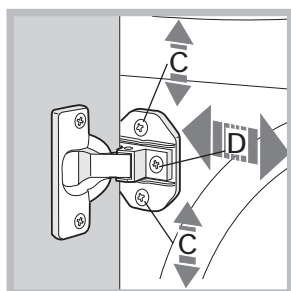


Fig. 7

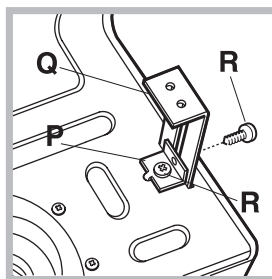


Fig. 8

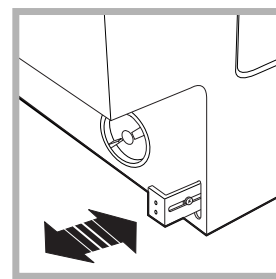


Fig. 9

Accesorios suministrados con la lavadora para regular la altura.

Ubicados en la tapa de poliestireno (*fig. 10*) se encuentran:

2 travesaños (**G**); 1 listón (**M**)

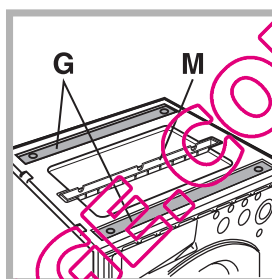


Fig. 10

Regulación de la altura de la lavadora.

Se puede regular la altura de la lavadora (de **815 mm** a **835 mm**) mediante las **4** patas.

Si se desea instalar a una altura superior a la indicada precedentemente, hasta **870 mm**, es necesario utilizar los siguientes accesorios:

- los 2 travesaños (**G**); las 4 patas (**H**); los 4 tornillos (**I**); las 4 tuercas (**L**), actuando del siguiente modo (*fig. 11*): extraer las **4** patas originales, colocar un travesaño **G** en la parte delantera de la lavadora, fijarlo con los tornillos **I** (enroscándolos en los orificios donde estaban montadas las patas originales), luego introducir las nuevas patas **H**.
- Repetir la misma operación en la parte posterior de la lavadora. A continuación, regulando las nuevas patas **H**, la lavadora se puede bajar o levantar de **835 mm** a **870 mm**. Una vez alcanzada la altura deseada, bloquear las tuercas **L** al travesaño **G**. Para regular la lavadora a una altura comprendida entre **870 mm** y **900 mm**., es necesario montar el listón **M** regulando las patas **H** hasta la altura deseada. Para instalar el listón, realice las siguientes operaciones: afloje los tres tornillos **N** ubicados en la parte delantera de la cubierta Top, introduzca el listón **M** como se indica en la *fig. 12*, luego aprete los tornillos **N**.

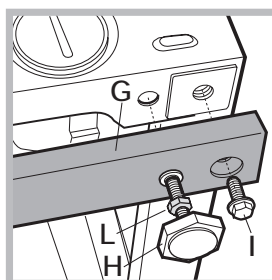


Fig. 11

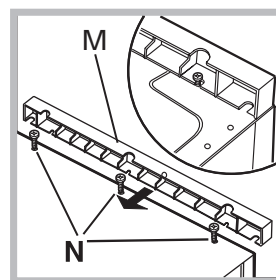
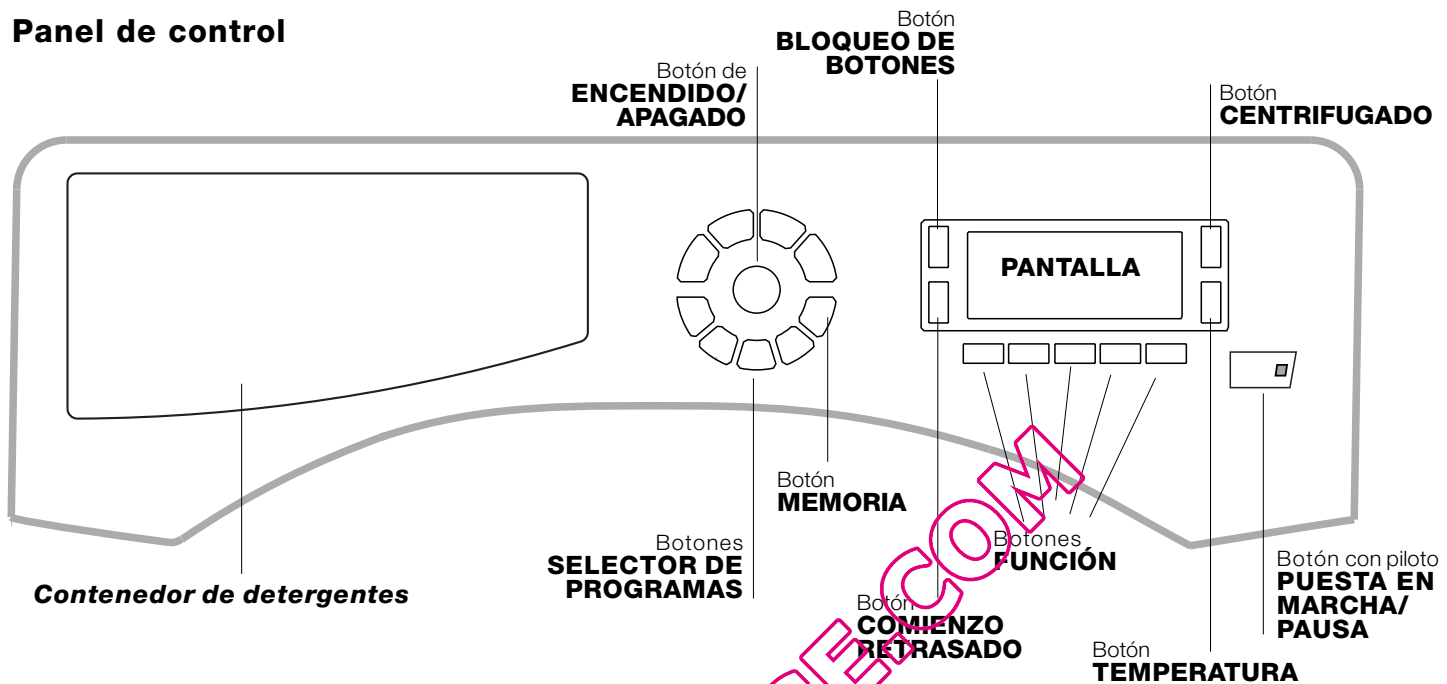


Fig. 12


Descripción de la lavadora

ES

Panel de control



Contenedor de detergentes: para cargar detergentes y aditivos (ver "Detergentes y ropa").


Botón **ENCENDIDO/APAGADO** : presione brevemente el botón para encender o apagar la máquina. El piloto PUESTA EN MARCHA/PAUSA que centellea lentamente de color verde indica que la máquina está encendida. Para apagar la lavadora durante el lavado, es necesario mantener presionado el botón durante más tiempo, aproximadamente 2 seg.; si se presiona en forma más breve o accidental, la máquina no se apagará. Si la máquina se apaga durante un lavado en curso, dicho lavado se anulará.



Botones **SELECTOR DE PROGRAMAS:** para seleccionar el programa deseado (ver "Tabla de programas").


Botón **MEMORIA:** mantenga presionado el botón para memorizar un ciclo y las personalizaciones deseadas. Para llamar un ciclo precedentemente memorizado, presione el botón MEMO.


Botones **FUNCIÓN:** presione el botón para seleccionar la función deseada. En la pantalla se iluminará el piloto correspondiente.

Botón **CENTRIFUGADO** : presiónelo para disminuir o excluir totalmente el centrifugado - el valor se indica en la pantalla.

Botón **TEMPERATURA** : presiónelo para disminuir la temperatura: el valor se indica en la pantalla.

Botón **BLOQUEO DE BOTONES** : para **activar** el bloqueo del panel de control, mantenga presionado el botón durante 2 segundos aproximadamente. El símbolo  encendido indica que el panel de control está bloqueado. De este modo, se evitan modificaciones accidentales de los programas, sobre todo si en la casa hay niños. Para **desactivar** el bloqueo del panel de control, mantenga presionado el botón durante 2 segundos aproximadamente.

Botón **COMIENZO RETRASADO** : presiónelo para seleccionar el comienzo retrasado del programa elegido. El retraso se indicará en la pantalla.

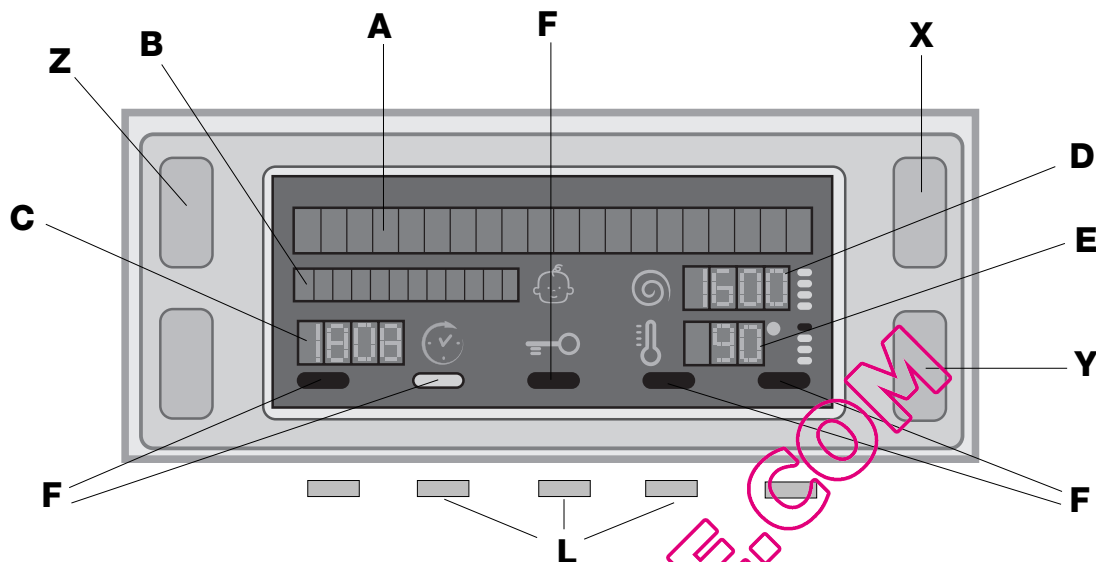
Botón con piloto **PUESTA EN MARCHA/PAUSA:** cuando el piloto verde centellea lentamente, presione el botón para que comience el lavado. Una vez que el ciclo ha comenzado, el piloto se mantiene fijo. Para poner en pausa el lavado, presione nuevamente el botón; el piloto centelleará con un color anaranjado. Si el símbolo  no está iluminado, se podrá abrir la puerta. Para que el lavado se reanude a partir del momento en el cual fue interrumpido, presione nuevamente el botón.

Modalidad de stand by

Esta lavasecadora está en conformidad con las nuevas normativas vinculadas al ahorro energético. Está dotada de un sistema de auto-apagado (stand by) que, en caso de no funcionamiento, se activa pasados aproximadamente 30 minutos. Presionar brevemente el botón ENCENDIDO/APAGADO y esperar que la máquina se active.

Pantalla

ES



La pantalla es útil para programar la máquina y brinda múltiple información.

En las dos series superiores **A** y **B** se visualizan el programa de lavado seleccionado, la fase de lavado en curso y todas las indicaciones correspondientes al estado de avance del programa.

En la serie **C** se visualiza el tiempo que falta para que finalice el ciclo de lavado en curso y, si se hubiera fijado un COMIENZO RETRASADO, el tiempo que falta para que comience el programa seleccionado.

En la serie **D** se visualiza el valor máximo de velocidad de centrifugado que la máquina puede desarrollar según el programa seleccionado; si el programa no prevé el centrifugado, la serie permanece apagada.

En la serie **E** se visualiza el valor máximo de temperatura que se puede fijar según el programa seleccionado; si el programa no prevé la selección de temperatura, la serie permanece apagada.

Las series **F** corresponden a las funciones y se encienden cuando la función seleccionada es compatible con el programa elegido.

Símbolo **Puerta bloqueada**

El símbolo encendido indica que la puerta está bloqueada para impedir aperturas accidentales. Para evitar daños, se debe esperar que el símbolo se apague, antes de abrir la puerta.

Nota: si la función COMIENZO RETRASADO está activada, la puerta no se puede abrir, para abrirla se debe poner en pausa la máquina presionando el botón PUESTA EN MARCHA/PAUSA.


! La primera vez que se enciende, se solicitará la elección del idioma y, para ello, la pantalla entrará automáticamente en el menú de selección de idioma.



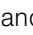
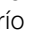
Para elegir el idioma deseado, presione los botones **X** y **Y**, para confirmar la elección, presione el botón **Z**.



Si se desea cambiar el idioma, apagar la máquina, presionar al **mismo** tiempo los tres botones indicados en la figura con la referencia **L** hasta que se sienta la señal acústica y volver a encender la máquina. Se visualizará el menú de selección del idioma.

Cómo efectuar un ciclo de lavado

ES

1. **ENCENDER LA MÁQUINA.** Presione el botón , en la pantalla aparecerá la palabra BIENVENIDO; el piloto PUESTA EN MARCHA/PAUSA centelleará lentamente de color verde.
2. **CARGAR LA ROPA.** Abra la puerta. Cargue la ropa, cuidando no superar la cantidad de carga indicada en la tabla de programas de la página siguiente.
3. **DOSIFICAR EL DETERGENTE.** Extraiga el contenedor y vierta el detergente en las cubetas correspondientes como se explica en "Detergentes y ropa".
4. **CERRAR LA PUERTA.**
5. **ELEGIR EL PROGRAMA.** Presione uno de los botones del SELECTOR DE PROGRAMAS para seleccionar el programa deseado; el nombre del programa aparecerá en la pantalla; a dicho programa se le asociará una temperatura y una velocidad de centrifugado que se pueden modificar. En la pantalla aparecerá la duración del ciclo.
6. **PERSONALIZAR EL CICLO DE LAVADO.** Utilice los botones correspondientes:

  **Modificar la temperatura y/o el centrifugado.** La máquina selecciona automáticamente la temperatura y el centrifugado máximos previstos para el programa seleccionado y, por lo tanto, no se pueden aumentar. Presionando el botón  se disminuye progresivamente la temperatura hasta llegar al lavado en frío "OFF". Presionando el botón  se disminuye progresivamente el centrifugado hasta su exclusión "OFF". Si se presionan una vez más los botones, se volverá a los valores máximos previstos.

 **Seleccionar un comienzo retrasado.** Para seleccionar el comienzo retrasado del programa elegido, presione el botón correspondiente hasta alcanzar el tiempo de retraso deseado. Cuando dicha opción está activada, en la pantalla aparece el símbolo . Para eliminar el comienzo retrasado, presione el botón hasta que aparezca el mensaje OFF.




     **Modificar las características del ciclo.**

- Presione el botón para activar la función; el piloto correspondiente al botón se encenderá.
- Presione nuevamente el botón para desactivar la función; el piloto se apagará.

! Si la función seleccionada no es compatible con el programa elegido, el piloto centelleará y la función no se activará.

! Si la función elegida no es compatible con otra seleccionada precedentemente, el piloto correspondiente a la primera función seleccionada centelleará y se activará sólo la segunda, el piloto de la función activada se iluminará.

! Las funciones pueden variar la carga recomendada y/o la duración del ciclo.

7. **PONER EN MARCHA EL PROGRAMA.** Presione el botón PUESTA EN MARCHA/PAUSA. El piloto correspondiente se iluminará de color verde fijo y la puerta se bloqueará (símbolo PUERTA BLOQUEADA  encendido). Durante el lavado, en la pantalla aparece el nombre de la fase en curso. Para cambiar un programa mientras un ciclo está en curso, ponga la lavadora en pausa presionando el botón PUESTA EN MARCHA/PAUSA (el piloto PUESTA EN MARCHA/PAUSA centelleará lentamente de color anaranjado); luego seleccione el ciclo deseado y presione nuevamente el botón PUESTA EN MARCHA/PAUSA. Para abrir la puerta mientras un ciclo está en curso, presione el botón PUESTA EN MARCHA/PAUSA; si el símbolo PUERTA BLOQUEADA  está apagado, será posible abrir la puerta. Presione nuevamente el botón PUESTA EN MARCHA/PAUSA para reanudar el programa a partir del momento en el que se había interrumpido.
8. **FIN DEL PROGRAMA.** En la pantalla aparecerá el mensaje "FIN DEL CICLO", cuando el símbolo PUERTA BLOQUEADA  se apague, será posible abrir la puerta. Abra la puerta, descargue la ropa y apague la máquina.

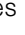
! Si desea anular un ciclo que ya ha comenzado, presione más tiempo el botón . El ciclo se interrumpirá y la máquina se apagará.

Tabla de programas

Programas	Descripción del Programa	Temp. max. (°C)	Velocidad máx. (r.p.m.)	Detergentes				Carga máx. (Kg.) Normal	Carga máx. (Kg.) Mini carga	Duración del ciclo
				Prelavado	Blanqueador	Lavado	Suavizante			
Programas para todos los días										
	Algodón (1-2): blancos extremadamente sucios.	90°	1200	●	●	●	●	7	3	Se puede controlar la duración de los programas de lavado en la pantalla.
	Algodón: blancos y colores resistentes muy sucios.	60°	1200	●	●	●	●	7	3	
	Algodón (3): blancos y colores delicados poco sucios.	40°	1200	●	●	●	●	7	3	
	Sintético resistente (1ª presión del botón): colores resistentes muy sucios.	60°	800	●	●	●	●	3	1,5	
	Sintético delicado (2ª presión del botón): colores resistentes poco sucios.	40°	800	●	●	●	●	3	1,5	
	Mix 30' (1ª presión del botón): para refrescar rápidamente prendas poco sucias (no se aconseja utilizarlo para lana, seda y prendas para lavar a mano).	30°	800	-	-	●	●	3	-	
	Mix 15' (2ª presión del botón): para refrescar rápidamente prendas poco sucias (no se aconseja utilizarlo para lana, seda y prendas para lavar a mano).	30°	800	-	-	●	●	1,5	-	
Programas Especiales/ Memo										
	Baby: colores delicados muy sucios.	40°	800	-	●	●	●	2	1	
M	Memoria: permite memorizar cualquier tipo de lavado.									
	Seda/Cortinas: para prendas de seda, viscosa, lencería.	30°	0	-	-	●	●	1	1	
	Lana: para lana, cachemira, etc.	40°	800	-	-	●	●	1,5	1	
Programas Parciales										
	Centrifugado Rápido (1ª presión del botón)	-	1200	-	-	-	-	7	-	
	Centrifugado Delicado (2ª presión del botón)	-	800	-	-	-	-	3	-	
	Aclarado Algodón (1ª presión del botón)	-	1200	-	●	-	●	7	3	
	Descarga (2ª presión del botón)	-	0	-	-	-	-	7	-	

La duración del ciclo que se indica en el visor o en el manual es una estimación calculada en base a condiciones estándar. El tiempo efectivo puede variar en función de numerosos factores como la temperatura y la presión del agua de entrada, la temperatura ambiente, la cantidad de detergente, la cantidad y el tipo de carga, el equilibrado de la carga y las opciones adicionales seleccionadas.

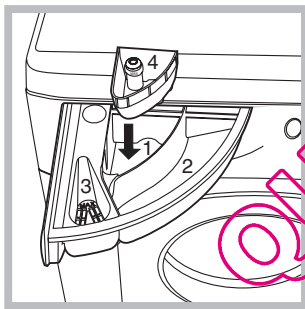
Para todos los Test Institutes:

- (1) Programa de control según la norma 2010/1061: seleccione el programa (90°C); temperatura 60°C y 40°C (Pulse el botón **TEMPERATURA**);
- (2) Programa algodón largo: seleccione el programa (90°C); temperatura 40°C (Pulse el botón **TEMPERATURA**);
- (3) Programa algodón corto: seleccione el programa (40°C);

Funciones de lavado

Antimancha

Esta función es útil para eliminar las manchas más resistentes.



Introduzca la cubeta adicional 4 suministrada con el aparato, en la cubeta 1. Al verter el blanqueador no debe superar el nivel "máx." indicado en el perno central (véase la figura). Para realizar sólo el blanqueo, vierta el blanqueador en la cubeta adicional 4, seleccione el programa "Aclarado" y active

la función "Antimancha". Para blanquear durante el lavado, vierta el detergente y los aditivos, seleccione el programa deseado y active la función "Antimancha".

El uso de la cubeta adicional 4 excluye el prelavado.

! No se puede activar con los programas , , , y Descarga.

Prelavado

Seleccionando esta función, se realiza el prelavado, muy útil para eliminar manchas difíciles.

Nota: agregue el detergente en el compartimento correspondiente.

! No se puede activar con los programas , , , , y Descarga.

Aclarado Extra

Al elegir esta opción aumentará la eficacia del aclarado y se asegurará la máxima eliminación del detergente.

Es útil para pieles particularmente sensibles.

! No se puede activar con los programas , y "Descarga".

Fácil Planchado

Cuando se selecciona esta función, el lavado y el centrifugado se modificarán oportunamente para disminuir la formación de arrugas. Al finalizar el ciclo, la lavadora realizará lentas rotaciones del cesto; el indicador de función FÁCIL PLANCHADO y el de ENCENDIDO/APAGADO centellearán (naranja) y el mensaje "FIN DEL CICLO" aparecerá en la pantalla. Para finalizar el ciclo se deberá presionar el botón PUESTA EN MARCHA/PAUSA o el botón FÁCIL PLANCHADO. En el programa "Seda" la máquina finalizará el ciclo con la ropa en remojo, el indicador de la función FÁCIL PLANCHADO y la de PUESTA EN MARCHA/PAUSA centellearán (naranja) y el mensaje "DETENER CON AGUA" aparecerá en la pantalla. Para descargar el agua y poder sacar la ropa, es necesario presionar el botón PUESTA EN MARCHA/PAUSA o el botón FÁCIL PLANCHADO.

! No se puede activar con los programas , , , y Descarga.

Mini Carga

Se aconseja utilizar esta función cuando la cantidad de ropa para lavar es igual o inferior a la mitad de la carga máxima aconsejada (ver la *Tabla de programas*).

! No se puede activar con los programas , y "Descarga".

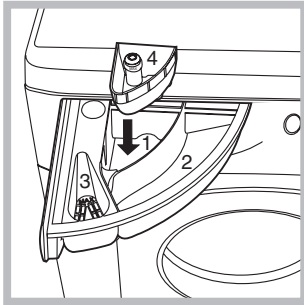
Detergentes y ropa

ES

Contenedor de detergentes

El buen resultado del lavado depende también de la correcta dosificación del detergente: si se excede la cantidad, no se lava de manera más eficaz, sino que se contribuye a encostrar las partes internas de la lavadora y a contaminar el medio ambiente.

! No use detergentes para el lavado a mano porque producen demasiada espuma.



Extraiga el contenedor de detergentes e introduzca el detergente o el aditivo de la siguiente manera:

cubeta 1: Detergente para prelavado (en polvo)

Antes de verter el detergente, verifique que no esté colocada la cubeta adicional 4.

cubeta 2: Detergente para lavado (en polvo o líquido)

El detergente líquido se debe verter sólo antes de la puesta en marcha.

cubeta 3: Aditivos (suavizante, etc.)

El suavizante no se debe volcar fuera de la rejilla.

cubeta adicional 4: Blanqueador

Preparar la ropa

- Subdivida la ropa según:
 - el tipo de tejido / el símbolo en la etiqueta.
 - los colores: separe las prendas de color y las blancas.
- Vacíe los bolsillos y controle los botones.
- No supere los valores indicados, referidos al peso de la ropa seca:
 - Tejidos resistentes: max 7 kg.
 - Tejidos sintéticos: max 3 kg.
 - Tejidos delicados: max 2 kg.
 - Lana: max 1,5 kg.
 - Seda: max 1 kg

¿Cuánto pesa la ropa?

- 1 sábana 400/500 g
- 1 funda 150/200 g
- 1 mantel 400/500 g
- 1 albornoz 900/1200 g
- 1 toalla 150/250 g

Programas particulares

Mix 30': fue estudiado para lavar prendas ligeramente sucias y en poco tiempo: dura sólo 30 minutos y de esa manera permite ahorrar energía y tiempo.

Seleccionando el programa (☺) a 30°C es posible lavar conjuntamente tejidos de distinto tipo (excluidas lana y seda), con una carga máxima de 3 kg.

Mix 15': fue estudiado para lavar prendas ligeramente sucias y en poco tiempo: dura sólo 15 minutos y de esa manera permite ahorrar energía y tiempo.

Seleccionando el programa (☺) a 30°C es posible lavar conjuntamente tejidos de distinto tipo (excluidas lana y seda), con una carga máxima de 1,5 kg.

Baby: programa capaz de eliminar la suciedad característica de los niños pero garantizando la eliminación del detergente de las prendas para evitar problemas de alergia en la piel delicada de los niños. El ciclo (☺) ha sido estudiado para disminuir la carga bacteriana utilizando una mayor cantidad de agua y optimizando el efecto de aditivos específicos higienizantes agregados al detergente.

Al finalizar el lavado, la máquina realizará lentas rotaciones del cesto para evitar la formación de arrugas; para terminar el ciclo, presione el botón PUESTA EN MARCHA/PAUSA.

Seda: utilice el programa correspondiente (☺) para lavar todas las prendas de seda. Se aconseja el uso de un detergente específico para prendas delicadas.

Cortinas: pliéguelas y colóquelas dentro de una funda o de una bolsa de red. Utilice el programa (☺).

Lana: Scholtès es la única lavadora que ha obtenido el prestigioso reconocimiento Woolmark Platinum Care (M.0508) otorgado por The Woolmark Company que certifica el lavado en lavadora de todas las prendas de lana, incluidas aquellas que contienen la etiqueta "sólo lavado a mano" (☺). En consecuencia, con el programa (☺) se puede utilizar la lavadora con total tranquilidad para lavar todas sus prendas de lana (máx. 1,5 kg) garantizando la obtención de los mejores resultados.

Sistema de equilibrado de la carga

Antes de cada centrifugado, para evitar vibraciones excesivas y para distribuir la carga de modo uniforme, el cesto realiza rotaciones a una velocidad ligeramente superior a la del lavado. Si después de varios intentos, la carga todavía no está correctamente equilibrada, la máquina realiza el centrifugado a una velocidad inferior a la prevista. Cuando existe un excesivo desequilibrio, la lavadora realiza la distribución antes que el centrifugado. Para obtener una mejor distribución de la carga y su correcto equilibrado, se aconseja mezclar prendas grandes y pequeñas.

! La lavadora fue proyectada y fabricada en conformidad con las normas internacionales de seguridad. Estas advertencias se suministran por razones de seguridad y deben ser leídas atentamente.

Seguridad general

- Este aparato ha sido fabricado para un uso de tipo doméstico exclusivamente.
- El aparato no debe ser empleado por personas (niños incluidos) con capacidades físicas, sensoriales o mentales reducidas y con experiencias y conocimientos insuficientes, a menos que dicho uso no se realice bajo la supervisión o las instrucciones de una persona responsable de su seguridad. Los niños deben ser vigilados para asegurarse que no jueguen con el aparato.
- No toque la máquina con los pies desnudos ni con las manos o los pies mojados o húmedos.
- No desenchufe la máquina tirando el cable, sino tomando el enchufe.
- No abra el contenedor de detergentes mientras la máquina está en funcionamiento.
- No toque el agua de descarga porque puede alcanzar temperaturas elevadas.
- En ningún caso fuerce la puerta: podría dañarse el mecanismo de seguridad que la protege de aperturas accidentales.
- En caso de avería, no acceda nunca a los mecanismos internos para intentar una reparación.
- Controle siempre que los niños no se acerquen a la máquina cuando está en funcionamiento.
- Durante el lavado, la puerta tiende a calentarse.
- Si debe ser trasladada, deberán intervenir dos o más personas, procediendo con el máximo cuidado. La máquina no debe ser desplazada nunca por una sola persona ya que es muy pesada.
- Antes de introducir la ropa controle que el cesto esté vacío.

Eliminaciones

- Eliminación del material de embalaje: respete las normas locales, de ese modo, los embalajes podrán volver a ser utilizados.
- En base a la Norma europea 2002/96/CE de Residuos de aparatos Eléctricos y Electrónicos, los electrodomésticos viejos no pueden ser arrojados en los contenedores municipales habituales; tienen que ser recogidos selectivamente para optimizar la recuperación y reciclado de los componentes y materiales que los constituyen, y reducir el impacto en la salud humana y el medioambiente. El símbolo del cubo de basura tachado se marca sobre todos los productos para recordar al consumidor la obligación de separarlos para la recogida selectiva.

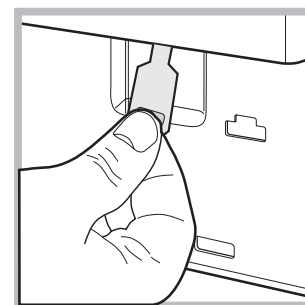
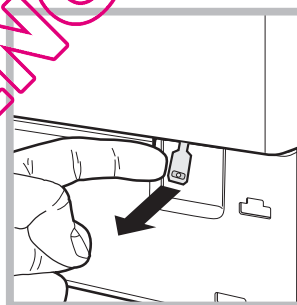
El consumidor debe contactar con la autoridad local o con el vendedor para informarse en relación a la correcta eliminación de su electrodoméstico viejo.

ES

Apertura manual de la puerta

Si desea sacar la ropa de la lavasecadora y no es posible abrir la puerta debido a un corte de energía eléctrica, proceda del siguiente modo:

1. desenchufe la máquina.
2. verifique que el nivel de agua en el interior de la máquina sea inferior al hueco de la puerta; si no es así, extraiga el agua en exceso utilizando el tubo de descarga y recogiéndola en un balde.
3. utilizando la lengüeta indicada en la figura, tire hacia fuera hasta liberar la varilla de plástico del retén; posteriormente tire hacia abajo y simultáneamente abra la puerta.



Mantenimiento y cuidados

ES

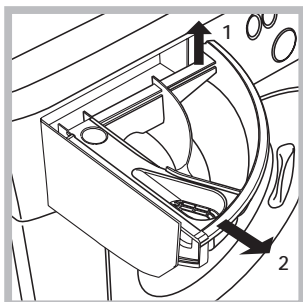
Interrumpir el agua y la corriente eléctrica

- Cierre el grifo de agua después de cada lavado. De este modo se limita el desgaste de la instalación hidráulica de la lavadora y se elimina el peligro de pérdidas.
- Desenchufe la máquina cuando la debe limpiar y durante los trabajos de mantenimiento.

Limpiar la lavadora

La parte externa y las partes de goma se pueden limpiar con un paño embebido en agua tibia y jabón. No use solventes ni productos abrasivos.

Limpiar el contenedor de detergentes



Extraiga el contenedor levantándolo y tirándolo hacia fuera (*ver la figura*).

Lávelo debajo del agua corriente, esta limpieza se debe realizar frecuentemente.

Cuidar la puerta y el cesto

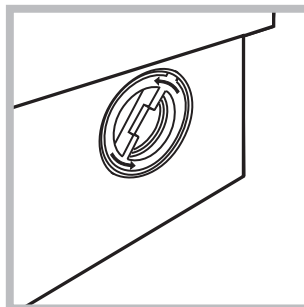
- Deje siempre semicerrada la puerta para evitar que se formen malos olores.

Limpiar la bomba

La lavadora posee una bomba autolimpiante que no necesita mantenimiento. Pero puede suceder que objetos pequeños (monedas, botones) caigan en la precámara que protege la bomba, situada en la parte inferior de la misma.

! Verifique que el ciclo de lavado haya terminado y desenchufe la máquina.

Para acceder a la precámara:



1. desenrosque la tapa girándola en sentido antihorario (*ver la figura*); es normal que se vuelque un poco de agua;

2. limpie con cuidado el interior;
3. vuelva a enroscar la tapa.

Controlar el tubo de alimentación de agua

Controle el tubo de alimentación al menos una vez al año. Si presenta grietas o rajaduras debe ser sustituido: durante los lavados, las fuertes presiones podrían provocar roturas imprevistas.

! No utilice nunca tubos ya usados.

Puede suceder que la lavadora no funcione. Antes de llamar al Servicio de Asistencia Técnica (ver "Asistencia"), controle que no se trate de un problema de fácil solución utilizando la siguiente lista.

Anomalías:

Posibles causas / Solución:

La lavadora no se enciende.

- El enchufe no está introducido en la toma de corriente, o no hace contacto.
- En la casa no hay corriente.

El ciclo de lavado no comienza.

- La puerta no está correctamente cerrada.
- El botón ENCENDIDO/APAGADO no ha sido presionado.
- El botón PUESTA EN MARCHA/PAUSA no ha sido presionado.
- El grifo de agua no está abierto.
- Se fijó un retraso de la hora de puesta en marcha (ver "Cómo efectuar un ciclo de lavado").

La lavadora no carga agua (En la pantalla aparecerá el mensaje "Sin agua, revisar suministro").

- El tubo de alimentación de agua no está conectado al grifo.
- El tubo está plegado.
- El grifo de agua no está abierto.
- En la casa no hay agua.
- No hay suficiente presión.
- El botón PUESTA EN MARCHA/PAUSA no ha sido presionado.

La lavadora carga y descarga agua continuamente.

- El tubo de descarga no está instalado entre los 65 y 100 cm. del suelo (ver "Instalación").
 - El extremo del tubo de descarga está sumergido en el agua (ver "Instalación").
 - La descarga de pared no posee un respiradero.
- Si después de estas verificaciones, el problema no se resuelve, cierre el grifo de agua, apague la lavadora y llame a la Asistencia. Si la vivienda se encuentra en uno de los últimos pisos de un edificio, es posible que se verifiquen fenómenos de sifonaje, por ello la lavadora carga y descarga agua de modo continuo. Para eliminar este inconveniente se encuentran disponibles en el comercio válvulas especiales que permiten evitar el sifonaje.

La lavadora no descarga o no centrifuga.

- El programa no prevé la descarga: con algunos programas es necesario ponerla en marcha manualmente ("Programas y funciones").
- Se puede utilizar la función FÁCIL PLANCHADO: para completar el programa, pulse el botón PUESTA EN MARCHA/PAUSA ("Programas y funciones").
- El tubo de descarga está plegado (ver "Instalación").
- El conducto de descarga está obstruido.

La lavadora vibra mucho durante la centrifugación.

- El cesto, en el momento de la instalación, no fue desbloqueado correctamente (ver "Instalación").
- La máquina no está instalada en un lugar plano (ver "Instalación").
- Existe muy poco espacio entre la máquina, los muebles y la pared (ver "Instalación").

La lavadora pierde agua.

- El tubo de alimentación de agua no está bien enroscado (ver "Instalación").
- El contenedor de detergentes está obstruido (para limpiarlo ver "Mantenimiento y cuidados").
- El tubo de descarga no está bien fijado (ver "Instalación").

La máquina está bloqueada, la pantalla centellea e indica un código de anomalía (por ej.: F-01, F-..).

- Apague la máquina y desenchúfela, espere aproximadamente 1 minuto y luego vuelva a encenderla.
- Si la anomalía persiste, llame al Servicio de Asistencia Técnica.

Se forma demasiada espuma.

- El detergente no es específico para la lavadora (debe contener algunas de las frases "para lavadora", "a mano o en lavadora" o similares).
- La dosificación fue excesiva.

Asistencia

ES

Antes de llamar al Servicio de Asistencia Técnica:

- Verifique si la anomalía la puede resolver Ud. solo (ver "Anomalías y soluciones");
- Vuelva a poner en marcha el programa para controlar si el inconveniente fue resuelto;
- Si no es así, llame al Servicio de Asistencia técnica autorizado, al número de teléfono indicado en el certificado de garantía.

! No recurra nunca a técnicos no autorizados.

Comuníquese:

- el tipo de anomalía;
- el modelo de la máquina (Mod.);
- el número de serie (S/N).

Esta información se encuentra en la placa aplicada en la parte posterior de la lavadora y en la parte delantera abriendo la puerta.

La siguiente información es válida solo para España.

Para otros países de habla hispana consulte a su vendedor.

Ampliación de garantía

Llame al **902.363.539** y le informaremos sobre el fantástico plan de ampliación de garantía hasta 5 años. Consiga una cobertura total adicional de

- Piezas y componentes
- Mano de obra de los técnicos
- Desplazamiento a su domicilio de los técnicos

Y NO PAGUE AVERIAS NUNCA MAS

Servicio de asistencia técnica (SAT)

Llame al **902.133.133** y nuestros técnicos intervendrán con rapidez y eficacia, devolviendo el electrodoméstico a sus condiciones óptimas de funcionamiento.

En el SAT encontrará recambios, accesorios y productos específicos para la limpieza y mantenimiento de su electrodoméstico a precios competitivos.

ESTAMOS A SU SERVICIO



Italiano

SMLE 129

Sommario

Installazione, 44-45-46-47

Disimballo e livellamento
Collegamenti idraulici ed elettrici
Primo ciclo di lavaggio
Dati tecnici
Istruzioni per l'installatore

Descrizione della lavabiancheria, 48-49

Pannello di controllo
Display

Come effettuare un ciclo di lavaggio, 50

Programmi e funzioni, 51

Tabella dei programmi
Funzioni di lavaggio

Detersivi e biancheria, 52

Cassetto dei detersivi
Preparare la biancheria
Programmi particolari
Sistema bilanciamento del carico

Precauzioni e consigli, 53

Sicurezza generale
Smaltimento
Apertura manuale della porta oblò

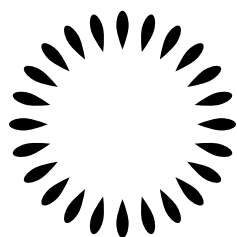
Manutenzione e cura, 54

Escludere acqua e corrente elettrica
Pulire la lavabiancheria
Pulire il cassetto dei detersivi
Curare oblò e cestello
Pulire la pompa
Controllare il tubo di alimentazione dell'acqua

Anomalie e rimedi, 55

Assistenza, 56

Assistenza Attiva 7 giorni su 7



Scholtès

Installazione

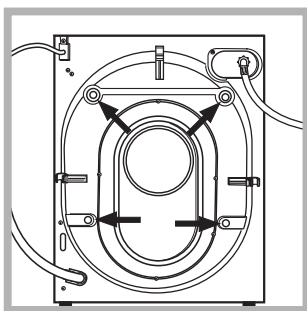
! È importante conservare questo libretto per poterlo consultare in ogni momento. In caso di vendita, di cessione o di trasloco, assicurarsi che resti insieme alla lavabiancheria per informare il nuovo proprietario sul funzionamento e sui relativi avvertimenti.

! Leggere attentamente le istruzioni: ci sono importanti informazioni sull'installazione, sull'uso e sulla sicurezza.

Disimballo e livellamento

Disimballo

1. Disimballare la lavabiancheria.
2. Controllare che la lavabiancheria non abbia subito danni nel trasporto. Se fosse danneggiata non collegarla e contattare il rivenditore.



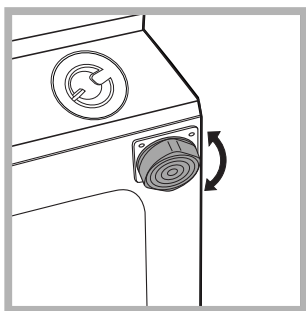
3. Rimuovere le 4 viti di protezione per il trasporto e il gommino con il relativo distanziale, posti nella parte posteriore (vedi figura).

4. Chiudere i fori con i tappi di plastica in dotazione.
5. Conservare tutti i pezzi: qualora la lavabiancheria debba essere trasportata, dovranno essere rimontati.

! Gli imballaggi non sono giocattoli per bambini.

Livellamento

1. Installare la lavabiancheria su un pavimento piano e rigido, senza appoggiarla a muri, mobili o altro.

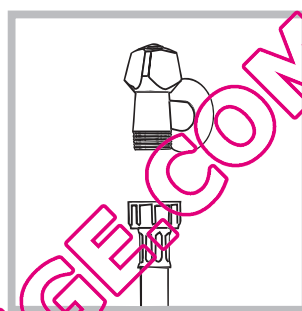


2. Se il pavimento non fosse perfettamente orizzontale, compensare le irregolarità svitando o avvitando i piedini anteriori (vedi figura); l'angolo di inclinazione, misurato sul piano di lavoro, non deve superare i 2°.

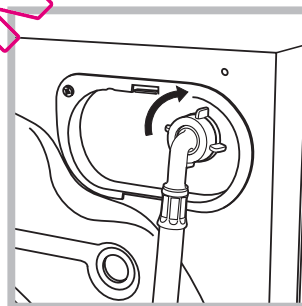
Un accurato livellamento dà stabilità alla macchina ed evita vibrazioni, rumori e spostamenti durante il funzionamento. In caso di moquette o di un tappeto, regolare i piedini in modo da conservare sotto la lavabiancheria uno spazio sufficiente per la ventilazione.

Collegamenti idraulici ed elettrici

Collegamento del tubo di alimentazione dell'acqua



1. Collegare il tubo di alimentazione avvitandolo a un rubinetto d'acqua fredda con bocca filettata da 3/4 gas (vedi figura). Prima di allacciare, far scorrere l'acqua finché non sia limpida.



2. Collegare il tubo di alimentazione alla lavabiancheria avvitandolo all'apposita presa d'acqua, nella parte posteriore in alto a destra (vedi figura).

3. Fare attenzione che nel tubo non ci siano né pieghe né strozzature.

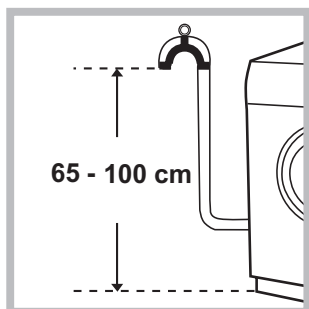
! La pressione idrica del rubinetto deve essere compresa nei valori della tabella Dati tecnici (vedi pagina a fianco).

! Se la lunghezza del tubo di alimentazione non fosse sufficiente, rivolgersi a un negozio specializzato o a un tecnico autorizzato.

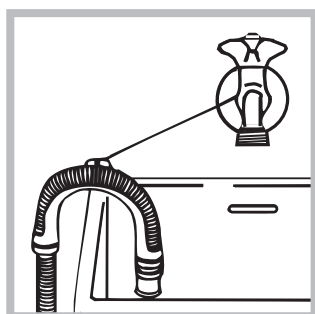
! Non utilizzare mai tubi già usati.

! Utilizzare quelli in dotazione alla macchina.

Collegamento del tubo di scarico



Collegare il tubo di scarico, senza piegarlo, a una conduttura di scarico o a uno scarico a muro posti tra 65 e 100 cm da terra;



oppure appoggiarlo al bordo di un lavandino o di una vasca, legando la guida in dotazione al rubinetto (vedi figura). L'estremità libera del tubo di scarico non deve rimanere immersa nell'acqua.

! È sconsigliato usare tubi di prolunga; se indispensabile, la prolunga deve avere lo stesso diametro del tubo originale e non superare i 150 cm.

Collegamento elettrico

Prima di inserire la spina nella presa della corrente, accertarsi che:

- la presa abbia la messa a terra e sia a norma di legge;
- la presa sia in grado di supportare il carico massimo di potenza della macchina, indicato nella tabella Dati tecnici (vedi a fianco);
- la tensione di alimentazione sia compresa nei valori indicati nella tabella Dati tecnici (vedi a fianco);
- la presa sia compatibile con la spina della lavabiancheria. In caso contrario sostituire la presa o la spina.

! La lavabiancheria non va installata all'aperto, nemmeno se lo spazio è riparato, perché è molto pericoloso lasciarla esposta a pioggia e temporali.

! A lavabiancheria installata, la presa della corrente deve essere facilmente raggiungibile.


! Non usare prolunghere e multiple.

! Il cavo non deve subire piegature o compressioni.


! Il cavo di alimentazione deve essere sostituito solo da tecnici autorizzati.

Attenzione! L'azienda declina ogni responsabilità qualora queste norme non vengano rispettate.

Primo ciclo di lavaggio

Dopo l'installazione, prima dell'uso, effettuare un ciclo di lavaggio con detersivo e senza biancheria impostando il programma .

Dati tecnici

Modello	SMLE 129
Dimensioni	larghezza cm 59,5 altezza cm 81,5 profondità cm 54,5
Capacità	da 1 a 7 kg
Collegamenti elettrici	vedi la targhetta caratteristiche tecniche applicata sulla macchina
Collegamenti idrici	pressione massima 1 MPa (10 bar) pressione minima 0,05 MPa (0,5 bar) capacità del cesto 52 litri
Velocità di centrifuga	sino a 1200 giri al minuto
Programmi di controllo secondo la norma 2010/1061	programma  (90°C); temperatura 60°C e 40°C (Premendo il tasto TEMPERATURA).



Questa apparecchiatura è conforme alle seguenti Direttive Comunitarie:

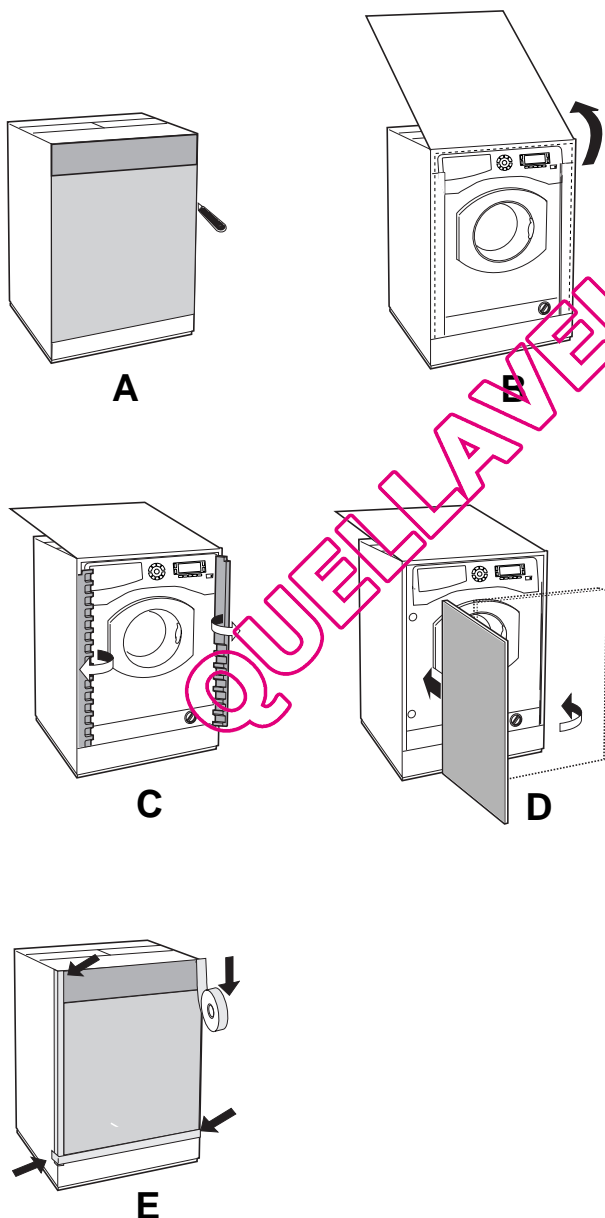
- 2004/108/CE (Compatibilità Elettromagnetica)
- 2002/96/CE
- 2006/95/EC (Bassa Tensione)

Istruzioni per l'installatore

Applicazione del pannello in legno alla porta e inserimento della macchina nei mobili:

Nel caso in cui, dopo il montaggio del pannello in legno, sia necessario spedire la macchina per l'installazione finale, consigliamo di lasciarla nel suo imballo originale. A questo scopo l'imballo è stato realizzato in modo da permettere il montaggio del pannello di legno sulla macchina senza disimballare completamente il prodotto (vedi figure sottostanti).

Il pannello di legno che copre la facciata non deve essere di spessore inferiore a **18 mm** e può essere incernierato sia sul lato destro che sinistro. Per ragioni di praticità d'uso della macchina consigliamo lo stesso senso di apertura dell'oblò con le cerniere applicate sul lato sinistro.



Accessori montaggio portina (Fig. 1-2-3-4-5).

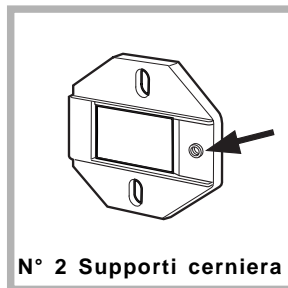


Fig. 1

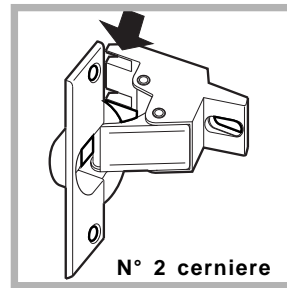


Fig. 2

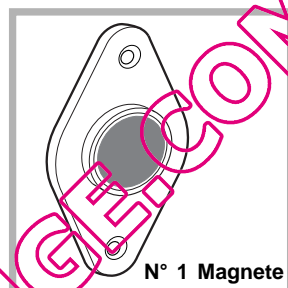


Fig. 3

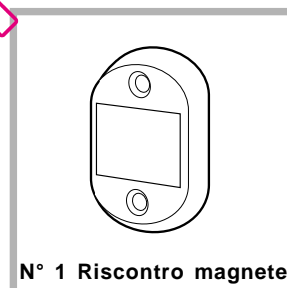


Fig. 4

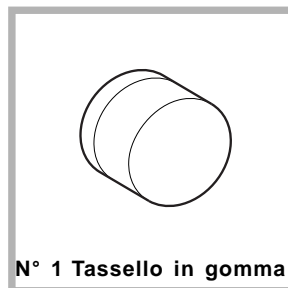


Fig. 5

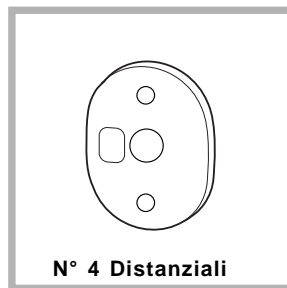


Fig. 4/B

- n° 6 viti autofilettanti $l = 13 \text{ mm}$ "tipo A".
- n° 2 viti metriche testa svasata $l = 25 \text{ mm}$ "tipo B"; per il fissaggio del riscontro magnete al mobile.
- n° 4 viti metriche $l = 15 \text{ mm}$ "tipo C"; per il montaggio dei supporti cerniera al mobile.
- n° 4 viti metriche $l = 7 \text{ mm}$ "tipo D"; per il montaggio delle cerniere ai supporti.

Montaggio dei particolari sulla facciata della macchina.

- Montare i supporti cerniera alla facciata posizionando il foro indicato da una freccia nella fig. 1 verso l'interno della facciata interponendo un distanziale (fig. 4/B), utilizzando le viti tipo C.
- Montare il riscontro magnete dalla parte opposta in alto interponendo due distanziali (fig. 4/B) utilizzando le due viti tipo B.



Uso della maschera di foratura.

- Per tracciare le posizioni dei fori sul lato sinistro del pannello, allinere la maschera di foratura al lato superiore e sinistro del pannello facendo riferimento alle linee tracciate alle estremità.
- Per tracciare le posizioni dei fori sul lato destro del pannello, allinere la maschera di foratura al lato superiore e destro del pannello.
- Con una fresa di adeguate dimensioni realizzare le quattro sedi che dovranno alloggiare le due cerniere, il tassello di gomma e il magnete.

Montaggio dei particolari sul pannello di legno (Antina).

- Inserire le cerniere nelle sedi predisposte (la parte mobile della cerniera deve trovarsi verso l'esterno del pannello) e fissarle con 4 viti del tipo **A**.
 - Inserire il magnete nella sede in alto dalla parte opposta alle cerniere e fissarlo con due viti tipo **B**.
 - Inserire il tassello in gomma nella sede in basso.
- Il pannello è ora pronto per essere montato sulla macchina.

Montaggio del pannello alla macchina.

Inserire il nasello della cerniera indicato dalla freccia nella *fig. 2* nella sede del supporto cerniera spingere il pannello verso la facciata della macchina e fissare le due cerniere con le due viti tipo **D**.

Fissaggio della guida zoccolo.

Se la macchina è installata ad una estremità della cucina componibile montare una o entrambe le guide zoccolo come indicato in *fig. 8*, regolandone la profondità in funzione della posizione dello zoccolo e se necessario fissarlo alle stesse (*fig. 9*).

Per montare la guida zoccolo agire come segue (*fig. 8*): Fissare la squadretta **P** con la vite **R**, infilare la guida zoccolo **Q** nell'apposita asola e una volta posizionata nel punto desiderato bloccarla alla squadretta **P** con la vite **R**.

Inserimento della macchina nei mobili.

- Spingere l'apparecchio nell'apertura allineandola con gli altri mobili (*fig. 6*).
- Agire sui piedini di regolazione per portare la macchina all'altezza desiderata.
- Per regolare la posizione del pannello in legno in senso verticale ed orizzontale, agire sulle viti **C** e **D** come indicato in *fig. 7*.

Importante: chiudere la parte inferiore della facciata con lo zoccolo a battuta sul pavimento.

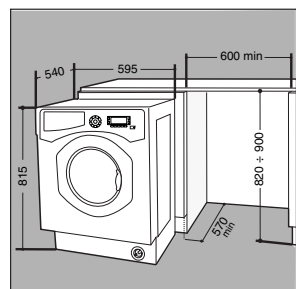


Fig. 6

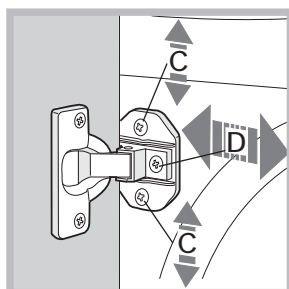


Fig. 7

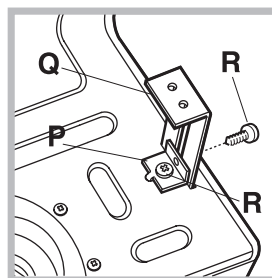


Fig. 8

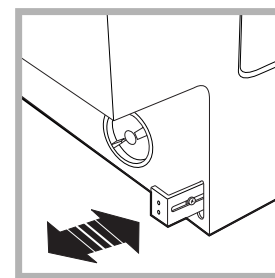


Fig. 9

Accessori in dotazione per la regolazione in altezza.

All'interno del coperchio di polistirolo (*fig. 10*) si trovano: 2 traverse (**G**); 1 listello (**M**)

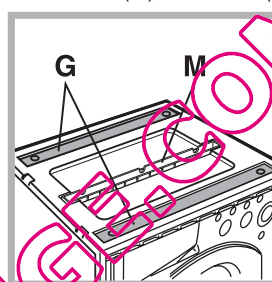


Fig. 10

all'interno del cestello si trovano:
4 piedini supplementari (**H**)
4 viti (**I**)
4 viti (**R**)
4 dadi (**L**)
2 guide zoccolo (**Q**)

Regolazione in altezza della macchina.

La macchina può essere regolata in altezza (da **815** mm a **835** mm) agendo sui **4** piedini.

Se si desidera portarla ad un'altezza superiore a quella sopraindicata, arrivando fino a **870** mm, occorre utilizzare i seguenti accessori:

le 2 traverse (**G**); i 4 piedini (**H**); le 4 viti (**I**); i 4 dadi (**L**), quindi agire come segue (*fig. 11*):

togliere i **4** piedini originali, posizionare una traversa **G** nella parte anteriore della macchina, fissarla con le viti **I** (avvitandole nei fori dove erano montati i piedini originali) quindi inserire i nuovi piedini **H**.

Ripetere la stessa operazione nella parte posteriore della macchina. A questo punto regolando i piedini **H** la macchina può essere abbassata o alzata da **835** mm a **870** mm.

Una volta raggiunta l'altezza desiderata bloccare i dadi **L** alla traversa **G**.

Per regolare la macchina ad un'altezza compresa tra **870** mm e **900** mm occorre montare il listello **M** regolando i piedini **H** fino all'altezza desiderata. Per inserire il listello agire come segue: allentare le tre viti **N** poste nella parte anteriore della copertura Top, inserire il listello **M** come indicato nella *fig. 12*, quindi bloccare le viti **N**.

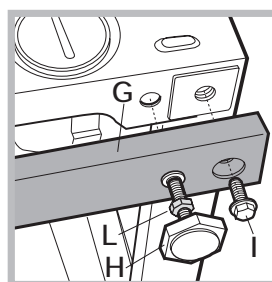


Fig. 11

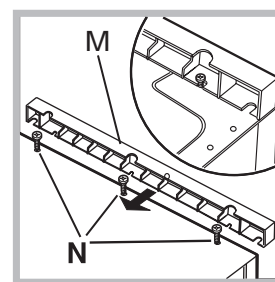
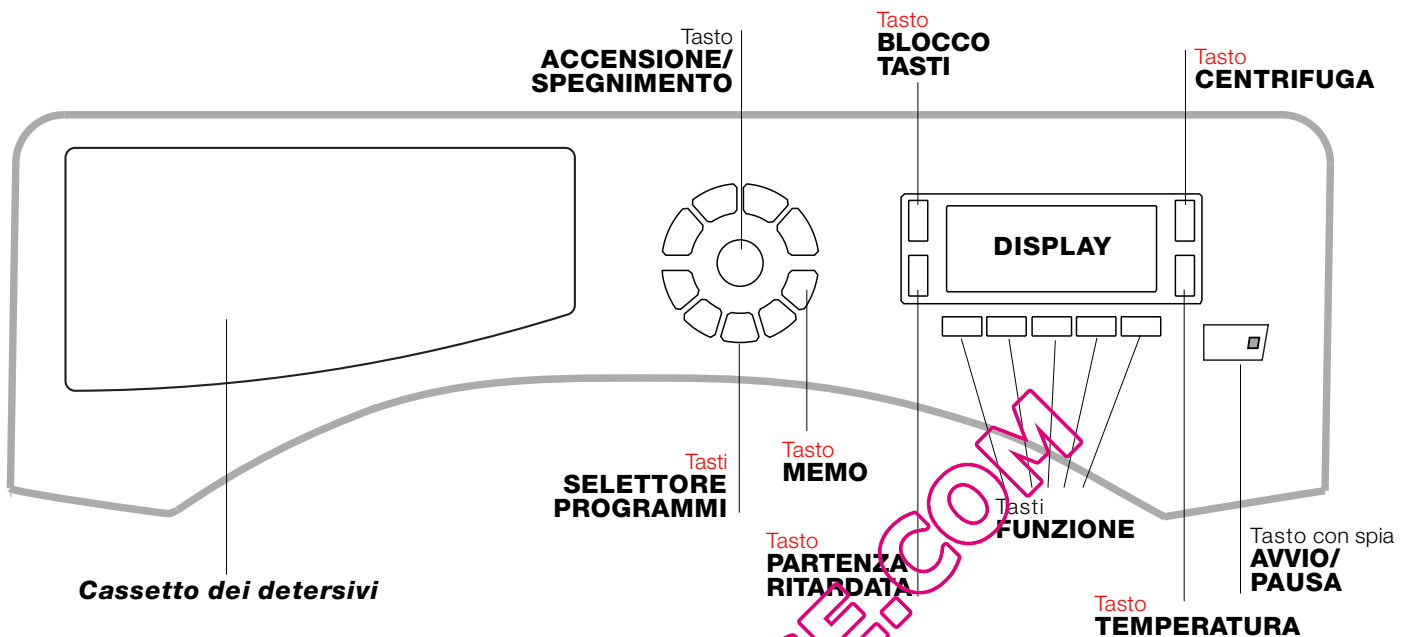



Fig. 12

Descrizione della lavabiancheria

Pannello di controllo




Cassetto dei detersivi: per caricare detersivi e additivi (vedi "Detersivi e biancheria").

Tasto **ACCENSIONE/SPEGNIMENTO** : premere brevemente il tasto per accendere o spegnere la macchina. La spia START/PAUSE che lampeggia lentamente di colore verde indica che la macchina è accesa. Per spegnere la lavabiancheria durante il lavaggio è necessario tenere premuto il tasto più a lungo, circa 2 sec.; una pressione breve o accidentale non permetterà lo spegnimento della macchina. Lo spegnimento della macchina durante un lavaggio in corso annulla il lavaggio stesso.


Tasti **SELETTORE PROGRAMMI**: per impostare il programma desiderato (vedi "Tabella dei programmi").

Tasto **MEMO**: tenere premuto il tasto per memorizzare un ciclo e le proprie personalizzazioni preferite. Per richiamare un ciclo precedentemente memorizzato premere il tasto MEMO.

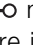
Tasti **FUNZIONE**: premere il tasto per selezionare la funzione desiderata. Sul display si illuminerà la spia relativa.

Tasto **CENTRIFUGA** : premere per ridurre o escludere del tutto la centrifuga; il valore viene indicato nel display.

Tasto **TEMPERATURA** : premere per ridurre la temperatura; il valore viene indicato nel display.

Tasto **BLOCCO TASTI** : per **attivare** il blocco del pannello di controllo, tenere premuto il tasto per circa 2 secondi. Il simbolo  acceso indica che il pannello di controllo è bloccato. In questo modo si impediscono modifiche accidentali dei programmi, soprattutto se in casa ci sono dei bambini. Per **disattivare** il blocco del pannello di controllo, tenere premuto il tasto per circa 2 secondi.

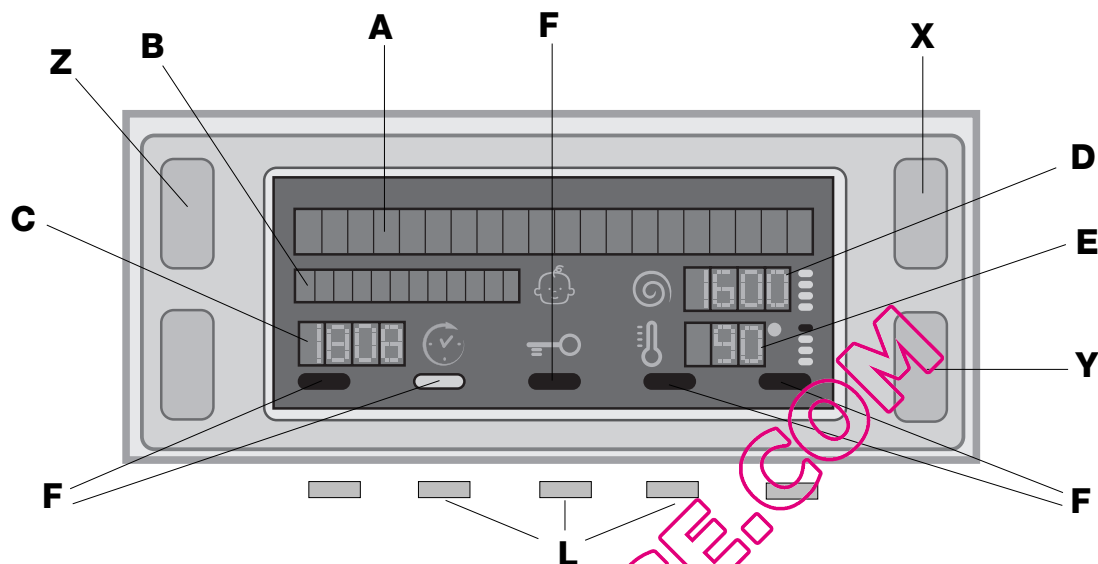
Tasto **PARTENZA RITARDATA** : premere per impostare una partenza ritardata del programma prescelto; il ritardo viene indicato nel display.

Tasto con spia **START/PAUSE**: quando la spia verde lampeggia lentamente, premere il tasto per avviare un lavaggio. A ciclo avviato la spia diventa fissa. Per mettere in pausa il lavaggio, premere nuovamente il tasto; la spia lampeggerà con colore arancione. Se il simbolo  non è illuminato, si potrà aprire l'oblò. Per far ripartire il lavaggio dal punto in cui è stato interrotto, premere nuovamente il tasto.

Modalità di stand by

Questa lavatrice, in conformità alle nuove normative legate al risparmio energetico, è dotata di un sistema di autospegnimento (stand by) che entra in funzione dopo circa 30 minuti nel caso di non utilizzo. Premere brevemente il tasto ACCENSIONE/SPEGNIMENTO e attendere che la macchina si riattivi.

Display



Il display è utile per programmare la macchina e fornisce molteplici informazioni.

Nelle due stringhe superiori **A** e **B** vengono visualizzati il programma di lavaggio selezionato, la fase di lavaggio in corso e tutte le indicazioni relative allo stato d'avanzamento del programma.

Nella stringa **C** viene visualizzato il tempo residuo alla fine del ciclo di lavaggio in corso e nel caso fosse stata impostata una PARTENZA RITARDATA, il tempo mancante all'avvio del programma selezionato.

Nella stringa **D** viene visualizzato il valore massimo della velocità della centrifuga che la macchina può effettuare in base al programma impostato; se il programma non prevede la centrifuga la stringa resta spenta.

Nella stringa **E** viene visualizzato il valore massimo della temperatura che si può selezionare in base al programma impostato; se il programma non prevede l'impostazione della temperatura la stringa resta spenta.

Le spie **F** sono relative alle funzioni e si accendono quando la funzione selezionata è compatibile con il programma impostato.

Simbolo **Oblò bloccato**

Il simbolo acceso indica che l'oblò è bloccato per impedire aperture accidentali. Per evitare danni è necessario attendere che il simbolo si spenga prima di aprire l'oblò.

N.B.: se è attiva la funzione PARTENZA RITARDATA l'oblò non si può aprire, per aprirlo mettere la macchina in pausa premendo il tasto START/PAUSE.


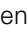
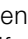
! Alla prima accensione verrà richiesto di selezionare la lingua ed il display entrerà automaticamente nel menu di selezione lingua.



Per scegliere la lingua desiderata premere i tasti **X** e **Y**, per confermare la scelta premere il tasto **Z**.

Se si vuole cambiare lingua, spegnere la macchina, premere **contemporaneamente** i tre tasti indicati nella figura con il riferimento **L** fino a sentire un segnale acustico, riaccendere la macchina, verrà visualizzato il menu di selezione lingua.

Come effettuare un ciclo di lavaggio

- 1. ACCENDERE LA MACCHINA.** Premere il tasto , sul display comparirà la scritta OK; la spia START/PAUSE lampeggerà lentamente di colore verde.
- 2. CARICARE LA BIANCHERIA.** Aprire la porta oblò. Caricare la biancheria facendo attenzione a non superare la quantità di carico indicata nella tabella programmi della pagina seguente.
- 3. DOSARE IL DETERSIVO.** Estrarre il cassetto e versare il detersivo nelle apposite vaschette come spiegato in “*Detersivi e biancheria*”.
- 4. CHIUDERE L'OBLO'.**
- 5. SCEGLIERE IL PROGRAMMA.** Premere uno dei tasti del SELETTORE PROGRAMMI per selezionare il programma desiderato; il nome del programma comparirà sul display; ad esso è associata una temperatura e una velocità di centrifuga che possono essere modificate. Sul display comparirà la durata del ciclo.
- 6. PERSONALIZZARE IL CICLO DI LAVAGGIO.** Agire sugli appositi tasti:

 **Modificare la temperatura e/o la centrifuga.** La macchina seleziona automaticamente la temperatura e la centrifuga massime previste per il programma impostato e non possono pertanto essere aumentate. Premendo il tasto  si riduce progressivamente la temperatura sino al lavaggio a freddo “OFF”. Premendo il tasto  si riduce progressivamente la centrifuga sino alla sua esclusione “OFF”. Un'ulteriore pressione dei tasti riporterà i valori a quelli massimi previsti.

 **Impostare una partenza ritardata.** Per impostare la partenza ritardata del programma prescelto, premere il tasto relativo fino a raggiungere il tempo di ritardo desiderato. Quando tale opzione è attiva, sul display si illumina il simbolo . Per rimuovere la partenza ritardata premere il tasto fino a che sul display compare la scritta “OFF”.

 **Modificare le caratteristiche del ciclo.**

- Premere il tasto per attivare la funzione; la spia corrispondente al pulsante si accenderà.
- Premere nuovamente il tasto per disattivare la funzione; la spia si spegnerà.

! Se la funzione selezionata non è compatibile con il programma impostato, la spia lampeggerà e la funzione non verrà attivata.

! Se la funzione selezionata non è compatibile con un'altra precedentemente impostata, la spia relativa alla prima funzione selezionata lampeggerà e verrà attivata solo la seconda, la spia della funzione attivata si illuminerà.

! Le funzioni possono variare il carico raccomandato e/o la durata del ciclo.

- 7. AVVIARE IL PROGRAMMA.** Premere il tasto START/PAUSE. La spia relativa si illuminerà di colore verde fisso e l'oblò si bloccherà (simbolo OBLO' BLOCCATO  acceso). Durante il lavaggio, sul display comparirà il nome della fase in corso. Per cambiare un programma mentre un ciclo è in corso, **mettere la lavabiancheria in pausa** premendo il tasto START/PAUSE (la spia START/PAUSE lampeggerà lentamente di colore arancione); selezionare quindi il ciclo desiderato e premere nuovamente il tasto START/PAUSE. Per aprire la porta mentre un ciclo è in corso premere il tasto START/PAUSE; se il simbolo OBLO' BLOCCATO  è spento sarà possibile aprire l'oblò. Premere nuovamente il tasto START/PAUSE per far ripartire il programma dal punto in cui era stato interrotto.
- 8. FINE DEL PROGRAMMA.** Viene indicata dalla scritta “FINE CICLO” sul display, quando il simbolo OBLO' BLOCCATO  si spegnerà sarà possibile aprire l'oblò. Aprire l'oblò, scaricare la biancheria e spegnere la macchina.


! Se si desidera annullare un ciclo già avviato, premere a lungo il tasto . Il ciclo verrà interrotto e la macchina si spegnerà.

Tabella dei programmi

Programmi	Descrizione del Programma	Temp. max. (°C)	Velocità max. (giri al minuto)	Detersivi				Carico max. (Kg)		Durata ciclo	
				Prelavaggio	Candeggina	Lavaggio	Ammorbidente	Normale	Mini Carico		
Programmi Giornalieri											
	Cotone (1-2): bianchi estremamente sporchi.	90°	1200	●	●	●	●	7	3	E' possibile controllare la durata dei programmi di lavaggio sul display.	
	Cotone: bianchi e colorati resistenti molto sporchi.	60°	1200	●	●	●	●	7	3		
	Cotone (3): bianchi e colorati delicati molto sporchi.	40°	1200	●	●	●	●	7	3		
	Sintetici (1° pressione del tasto): colori resistenti molto sporchi.	60°	800	●	●	●	●	3	1,5		
	Sintetici (2° pressione del tasto): colori resistenti poco sporchi.	40°	800	●	●	●	●	3	1,5		
	Mix 30' (1° pressione del tasto) : per rinfrescare rapidamente capi poco sporchi (non indicato per lana, seta e capi da lavare a mano).	30°	800	-	-	●	●	3	-		
	Mix 15' (2° pressione del tasto) : per rinfrescare rapidamente capi poco sporchi (non indicato per lana, seta e capi da lavare a mano).	30°	800	-	-	●	●	1,5	-		
Programmi Speciali / Memo											
	Ciclo Baby: colori delicati molto sporchi.	40°	800	-	●	●	●	2	1		
	Memo: permette di memorizzare un qualsiasi ciclo di lavaggio.										
	Seta/Tende: per capi in seta, viscosa, lingerie.	30°	0	-	-	●	●	1	1		
	Lana: per lana, cachemire, ecc.	40°	800	-	-	●	●	1,5	1		
Programmi Parziali											
	Centrifuga (1° pressione del tasto).	-	1200	-	-	-	-	7	-		
	Centrifuga delicata (2° pressione del tasto).	-	800	-	-	-	-	3	-		
	Risciacquo (1° pressione del tasto).	-	1200	-	●	-	●	7	3		
	Scarico (2° pressione del tasto).	-	0	-	-	-	-	7	-		

La durata del ciclo indicata sul display o su questo libretto è una stima calcolata in base a condizioni standard. Il tempo effettivo può variare in base a numerosi fattori quali la temperatura e la pressione dell'acqua in ingresso, la temperatura ambiente, la quantità di detersivo, la quantità ed il tipo di carico, il bilanciamento del carico, le opzioni aggiuntive selezionate.

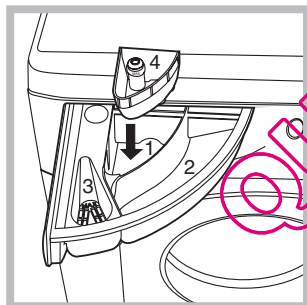
Per tutti Test Institutes:

- (1) Programma di controllo secondo la norma 2010/1061: impostare il programma (90°C); temperatura di 60°C e 40°C (Premendo il tasto TEMPERATURA).
- (2) Programma cotone lungo: impostare il programma (90°C); temperatura di 40°C (Premendo il tasto TEMPERATURA).
- (3) Programma cotone corto: impostare il programma (40°C).

Funzioni di lavaggio

Antimacchia

Questa funzione è utile per eliminare le macchie più resistenti.



Inserire la vaschetta aggiuntiva 4, in dotazione, nella vaschetta 1. Nel dosare la candeggina non superare il livello "max" indicato sul perno centrale (vedi figura). Per effettuare solo il candeggiare versare la candeggina nella vaschetta aggiuntiva 4, impostare il programma "Risciacquo" e

attivare la funzione "Antimacchia". Per candeggiare durante il lavaggio versare il detersivo e gli additivi, impostare il programma desiderato e attivare la funzione "Antimacchia".

! L'utilizzo della vaschetta aggiuntiva 4 esclude il prelavaggio.

! Non è attivabile sui programmi , , , , "Scarico".

Prelavaggio

Selezionando questa funzione si effettua il prelavaggio, utile per rimuovere macchie ostinate.

N.B.: Aggiungere il detersivo nell'apposito scomparto.

! Non è attivabile sui programmi , , , , , "Scarico".

Extra Risciacquo

Selezionando questa opzione si aumenta l'efficacia del risciacquo, e si assicura la massima rimozione del detersivo. E' utile per pelli particolarmente sensibili.

! Non è attivabile sui programmi , , "Scarico".

Stira facile

Selezionando questa funzione, il lavaggio e la centrifuga saranno opportunamente modificati per ridurre la formazione di pieghe. Al termine del ciclo la lavabiancheria effettuerà delle lente rotazioni del cestello; la spia della funzione STIRA FACILE e quella di AVVIO/PAUSA lampeggeranno (arancione) e la scritta "FINE CICLO" apparirà su display. Per terminare il ciclo si dovrà premere il tasto AVVIO/PAUSA o il tasto STIRA FACILE. Nel programma "Seta" la macchina terminerà il ciclo con la biancheria in ammollo, la spia della funzione STIRA FACILE e quella di AVVIO/PAUSA lampeggeranno (arancione) e la scritta "IDROSTOP" apparirà su display. Per scaricare l'acqua e poter rimuovere il bucato sarà necessario premere il tasto START/PAUSE o il tasto STIRA FACILE.

! Non è attivabile sui programmi , , , e "Scarico".

Mini carico

Si consiglia di usare questa funzione quando la biancheria da lavare è pari od inferiore alla metà del carico massimo consigliato (vedi Tabella programmi).

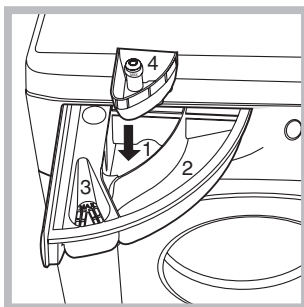
! Non è attivabile sui programmi , e "Scarico".

Detersivi e biancheria

Cassetto dei detersivi

Il buon risultato del lavaggio dipende anche dal corretto dosaggio del detersivo: eccedendo non si lava in modo più efficace e si contribuisce a incrostante le parti interne della lavabiancheria e a inquinare l'ambiente.

! Non usare detersivi per il lavaggio a mano, perché formano troppa schiuma.



Estrarre il cassetto dei detersivi e inserire il detersivo o l'additivo come segue.

vaschetta 1: Detersivo per prelavaggio (in polvere)

Prima di versare il detersivo verificare che non sia inserita la vaschetta aggiuntiva 4.

vaschetta 2: Detersivo per lavaggio (in polvere o liquido)

Il detersivo liquido va versato solo prima dell'avvio.

vaschetta 3: Additivi (ammorbidente, ecc.)

L'ammorbidente non deve fuoriuscire dalla griglia.

vaschetta aggiuntiva 4: Candeggina

Preparare la biancheria

- Suddividere la biancheria secondo:
 - il tipo di tessuto / il simbolo sull'etichetta.
 - i colori: separare i capi colorati da quelli bianchi.
- Vuotare le tasche e controllare i bottoni.
- Non superare i valori indicati, riferiti al peso della biancheria asciutta:
 - Tessuti resistenti: max 7 kg
 - Tessuti sintetici: max 3 kg
 - Tessuti delicati: max 2 kg
 - Lana: max 1,5 kg
 - Seta: max 1 kg

Quanto pesa la biancheria?

- 1 lenzuolo 400-500 gr.
- 1 federa 150-200 gr.
- 1 tovaglia 400-500 gr.
- 1 accappatoio 900-1200 gr.
- 1 asciugamano 150-250 gr.

Programmi particolari

Mix 30': è studiato per lavare capi leggermente sporchi in poco tempo: dura solo 30 minuti e fa così risparmiare energia e tempo. Impostando il programma (☺ a 30°C) è possibile lavare insieme tessuti di diversa natura (esclusi lana e seta) con un carico massimo di 3 kg.

Mix 15': è studiato per lavare capi leggermente sporchi in poco tempo: dura solo 15 minuti e fa così risparmiare energia e tempo. Impostando il programma (☺ a 30°C) è possibile lavare insieme tessuti di diversa natura (esclusi lana e seta) con un carico massimo di 1,5 kg.

Baby: programma in grado di asportare lo sporco tipico dei bambini garantendo la rimozione del detersivo dai panni onde evitare allergie alla pelle delicata dei bambini. Il ciclo (☺) è stato studiato per ridurre la carica batterica utilizzando una maggior quantità di acqua e ottimizzando l'effetto di additivi specifici igienizzanti aggiunti al detersivo.

Al termine del lavaggio la macchina effettuerà delle lente rotazioni del cestello; per terminare il ciclo premere il tasto START/PAUSE.

Seta: utilizzare l'apposito programma (☺) per lavare tutti i capi in seta. Si consiglia l'utilizzo di un detersivo specifico per capi delicati.

Tende: si raccomanda di piegarle e sistemarle dentro una federa o un sacchetto a rete. Utilizzare il programma (☺).

Lana: Scholtès è l'unica lavabiancheria ad aver ottenuto il prestigioso riconoscimento Woolmark Platinum Care (M.0508) da parte di The Woolmark Company, che certifica il lavaggio in lavatrice di tutti i capi in lana, anche quelli recanti l'etichetta "solo lavaggio a mano" (☺). Con il programma (☺) si ha quindi l'assoluta tranquillità di lavare in lavatrice tutti i capi in lana (max. 1,5 kg) con la garanzia delle migliori performance.

Sistema bilanciamento del carico

Prima di ogni centrifuga, per evitare vibrazioni eccessive e per distribuire il carico in modo uniforme, il cestello effettua delle rotazioni ad una velocità leggermente superiore a quella del lavaggio. Se al termine di ripetuti tentativi il carico non fosse ancora correttamente bilanciato la macchina effettua la centrifuga ad una velocità inferiore a quella prevista. In presenza di eccessivo sbilanciamento la lavabiancheria effettua la distribuzione anziché la centrifuga. Per favorire una migliore distribuzione del carico e il suo corretto bilanciamento si consiglia di mescolare capi grandi e piccoli.

! La lavabiancheria è stata progettata e costruita in conformità alle norme internazionali di sicurezza. Queste avvertenze sono fornite per ragioni di sicurezza e devono essere lette attentamente.

Sicurezza generale

- Questo apparecchio è stato concepito esclusivamente per un uso di tipo domestico.
- L'apparecchio non deve essere utilizzato da persone (bambini compresi) con capacità fisiche, sensoriali o mentali ridotte e con esperienze e conoscenze insufficienti, a meno che tale utilizzo non avvenga sotto la supervisione o le istruzioni di una persona responsabile della loro sicurezza. I bambini devono essere sorvegliati per garantire che non giochino con l'apparecchio.
- Non toccare la macchina a piedi nudi o con le mani o i piedi bagnati o umidi.
- Non staccare la spina dalla presa della corrente tirando il cavo, bensì afferrando la spina.
- Non aprire il cassetto dei detersivi mentre la macchina è in funzione.
- Non toccare l'acqua di scarico, che può raggiungere temperature elevate.
- Non forzare in nessun caso l'oblò: potrebbe danneggiarsi il meccanismo di sicurezza che protegge da aperture accidentali.
- In caso di guasto, in nessun caso accedere ai meccanismi interni per tentare una riparazione.
- Controllare sempre che i bambini non si avvicinino alla macchina in funzione.
- Durante il lavaggio l'oblò tende a scaldarsi.
- Se dev'essere spostata, lavorare in due o tre persone con la massima attenzione. Mai da soli perché la macchina è molto pesante.
- Prima di introdurre la biancheria controlla che il cestello sia vuoto.

Smaltimento

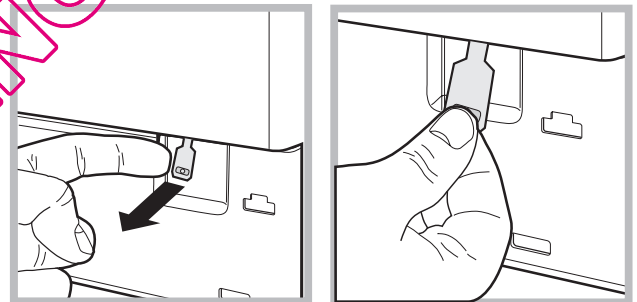
- Smaltimento del materiale di imballaggio: attenersi alle norme locali, così gli imballaggi potranno essere riutilizzati.
- La direttiva Europea 2002/96/CE sui rifiuti di apparecchiature elettriche ed elettroniche, prevede che gli elettrodomestici non debbano essere smaltiti nel normale flusso dei rifiuti solidi urbani. Gli apparecchi dismessi devono essere raccolti separatamente per ottimizzare il tasso di recupero e riciclaggio dei materiali che li compongono ed impedire potenziali danni per la salute e l'ambiente. Il simbolo del cestino barrato è riportato su tutti i prodotti per ricordare gli obblighi di raccolta separata.

Per ulteriori informazioni, sulla corretta dismissione degli elettrodomestici, i detentori potranno rivolgersi al servizio pubblico preposto o ai rivenditori.

Apertura manuale dell'oblò

Nel caso non sia possibile aprire l'oblò a causa della mancanza di energia elettrica e volete stendere il bucato, procedere come segue:

1. togliere la spina dalla presa di corrente.
2. verificare che il livello dell'acqua all'interno della macchina sia inferiore rispetto all'apertura dell'oblò; in caso contrario togliere l'acqua in eccedenza attraverso il tubo di scarico raccogliendola in un secchio.
3. utilizzando la linguetta indicata in figura tirare verso l'esterno fino a liberare il tirante in plastica dal fermo; tirarlo successivamente verso il basso e contemporaneamente aprire la porta.



Manutenzione e cura

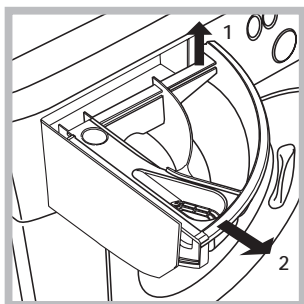
Escludere acqua e corrente elettrica

- Chiudere il rubinetto dell'acqua dopo ogni lavaggio. Si limita così l'usura dell'impianto idraulico della lavabiancheria e si elimina il pericolo di perdite.
- Staccare la spina della corrente quando si pulisce la lavabiancheria e durante i lavori di manutenzione.

Pulire la lavabiancheria

La parte esterna e le parti in gomma possono essere puliti con un panno imbevuto di acqua tiepida e sapone. Non usare solventi o abrasivi.

Pulire il cassetto dei detersivi



Sfilare il cassetto sollevandolo e tirandolo verso l'esterno (vedi figura).

Lavarlo sotto l'acqua corrente; questa pulizia va effettuata frequentemente.

Curare oblò e cestello

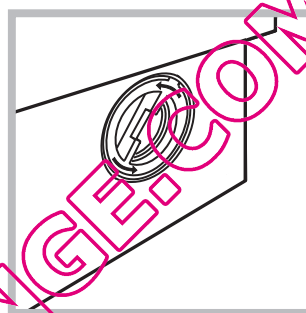
- Lasciare sempre socchiuso l'oblò per evitare che si formino cattivi odori.

Pulire la pompa

La lavabiancheria è dotata di una pompa autopulente che non ha bisogno di manutenzione. Può però succedere che piccoli oggetti (monete, bottoni) cadano nella precamera che protegge la pompa, situata nella parte inferiore di essa.

! Assicurarsi che il ciclo di lavaggio sia terminato e staccare la spina.

Per accedere alla precamera:



1. svitare il coperchio ruotandolo in senso antiorario (vedi figura): è normale che fuoriesca un po' d'acqua;

2. pulire accuratamente l'interno;
3. riavvitare il coperchio;

Controllare il tubo di alimentazione dell'acqua

Controllare il tubo di alimentazione almeno una volta all'anno. Se presenta screpolature e fessure va sostituito: durante i lavaggi le forti pressioni potrebbero provocare improvvise spaccature.

! Non utilizzare mai tubi già usati.

Può accadere che la lavabiancheria non funzioni. Prima di telefonare all'Assistenza (vedi "Assistenza"), controllare che non si tratti di un problema facilmente risolvibile aiutandosi con il seguente elenco.

Anomalie:

La lavabiancheria non si accende.

Possibili cause / Soluzione:

- La spina non è inserita nella presa della corrente, o non abbastanza da fare contatto.
- In casa non c'è corrente.

Il ciclo di lavaggio non inizia.

- L'oblò non è ben chiuso.
- Il tasto ACCENSIONE/SPEGNIMENTO non è stato premuto.
- Il tasto START/PAUSE non è stato premuto.
- Il rubinetto dell'acqua non è aperto.
- Si è impostato un ritardo sull'ora di avvio (PARTENZA RITARDATA, vedi "Come effettuare un ciclo di lavaggio").

La lavabiancheria non carica acqua (nel display apparirà la scritta "MANCA L'ACQUA, APRI IL RUBINETTO").

- Il tubo di alimentazione dell'acqua non è collegato al rubinetto.
- Il tubo è piegato.
- Il rubinetto dell'acqua non è aperto.
- In casa manca l'acqua.
- Non c'è sufficiente pressione.
- Il tasto START/PAUSE non è stato premuto.

La lavabiancheria carica e scarica acqua di continuo.

- Il tubo di scarico non è installato fra 65 e 100 cm da terra (vedi "Installazione").
- L'estremità del tubo di scarico è immersa nell'acqua (vedi "Installazione").
- Lo scarico a muro non ha lo sfiato d'aria.

Se dopo queste verifiche il problema non si risolve, chiudere il rubinetto dell'acqua, spegnere la lavabiancheria e chiamare l'Assistenza. Se l'abitazione si trova agli ultimi piani di un edificio, è possibile che si verifichino fenomeni di sifonaggio, per cui la lavabiancheria carica e scarica acqua di continuo. Per eliminare l'inconveniente sono disponibili in commercio apposite valvole anti-sifonaggio.

La lavabiancheria non scarica o non centrifuga.

- Il programma non prevede lo scarico: con alcuni programmi occorre avviarlo manualmente.
- È attiva la funzione STIRA FACILE: per completare il programma premere il tasto START/PAUSE ("Programmi e funzioni").
- Il tubo di scarico è piegato (vedi "Installazione").
- La condotta di scarico è ostruita.

La lavabiancheria vibra molto durante la centrifuga.

- Il cestello, al momento dell'installazione, non è stato sbloccato correttamente (vedi "Installazione").
- La lavabiancheria non è in piano (vedi "Installazione").
- La lavabiancheria è stretta tra mobili e muro (vedi "Installazione").

La lavabiancheria perde acqua.

- Il tubo di alimentazione dell'acqua non è ben avvitato (vedi "Installazione").
- Il cassetto dei detersivi è intasato (per pulirlo vedi "Manutenzione e cura").
- Il tubo di scarico non è fissato bene (vedi "Installazione").

La macchina è bloccata, il display lampeggia e segnala un codice di anomalia (es.: F-01, F-..).

- Spegnere la macchina e togliere la spina dalla presa, attendere circa 1 minuto quindi riaccenderla.
Se l'anomalia persiste, chiamare l'Assistenza.

Si forma troppa schiuma.

- Il detersivo non è specifico per lavabiancheria (deve esserci la dicitura "per lavatrice", "a mano e in lavatrice", o simili).
- Il dosaggio è stato eccessivo.

Prima di contattare l'Assistenza:

- Verificare se l'anomalia può essere risolta da soli (vedi "Anomalie e rimedi");
- Riavviare il programma per controllare se l'inconveniente è stato avviato;
- In caso negativo, contattare il Numero Unico 199.199.199*.

! Non ricorrere mai a tecnici non autorizzati.

Comunicare:

- il tipo di anomalia;
- il modello della macchina (Mod.);
- il numero di serie (S/N).

Queste informazioni si trovano sulla targhetta applicata nella parte posteriore della lavabiancheria e nella parte anteriore aprendo l'oblò.

Assistenza Attiva 7 giorni su 7



In caso di necessità d'intervento chiamare il Numero Unico Nazionale 199.199.199*.

Un operatore sarà a completa disposizione per fissare un appuntamento con il Centro Assistenza Tecnico Autorizzato più vicino al luogo da cui si chiama.

È attivo 7 giorni su 7, sabato e domenica compresi, e non lascia mai inascoltata una richiesta.

* Al costo di 14,25 centesimi di Euro al minuto (iva inclusa) dal Lun. al Ven. dalle 08:00 alle 18:30, il Sab. dalle 08:00 alle 13:00 e di 5,58 centesimi di Euro al minuto (iva inclusa) dal Lun. al Ven. dalle 18:30 alle 08:00, il Sab. dalle 13:00 alle 08:00 e i giorni festivi, per chi chiama da telefono fisso.
Per chi chiama da radiomobile le tariffe sono legate al piano tariffario dell'operatore telefonico utilizzato.
Le suddette tariffe potrebbero essere soggette a variazione da parte dell'operatore telefonico; per maggiori informazioni consultare il sito www.aristonchannel.com.