

# Instructions for use

## WASHING MACHINE

GB

**GB**

English, 1

**FR**

Français, 13

**ES**

Español, 25

**NL**

Nederlands, 37

**PT**

Português, 49

**DE**

Deutsch, 61

**ECO8F 1292**

### Contents

#### Installation, 2-3

Unpacking and levelling  
Connecting the electricity and water supplies  
The first wash cycle  
Technical data

#### Description of the washing machine and starting a wash cycle, 4-5

Control panel  
Indicator lights  
Starting a wash cycle

#### Wash cycles, 6

Table of wash cycles

#### Personalisation, 7

Setting the temperature  
Setting the spin speed  
Functions

#### Detergents and laundry, 8

Detergent dispenser drawer  
Bleach cycle  
Preparing the laundry  
Garments requiring special care  
Load balancing system

#### Precautions and tips, 9

General safety  
Disposal  
Opening the porthole door manually

#### Care and maintenance, 10

Cutting off the water or electricity supply  
Cleaning the washing machine  
Cleaning the detergent dispenser drawer  
Caring for the door and drum of your appliance  
Cleaning the pump  
Checking the water inlet hose

#### Troubleshooting, 11

#### Service, 12

QUELLAVELTENCE.COM

# Installation

GB

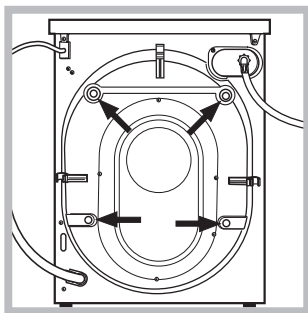
! This instruction manual should be kept in a safe place for future reference. If the washing machine is sold, transferred or moved, make sure that the instruction manual remains with the machine so that the new owner is able to familiarise himself/herself with its operation and features.

! Read these instructions carefully: they contain vital information relating to the safe installation and operation of the appliance.

## Unpacking and levelling

### Unpacking

1. Remove the washing machine from its packaging.
2. Make sure that the washing machine has not been damaged during the transportation process. If it has been damaged, contact the retailer and do not proceed any further with the installation process.



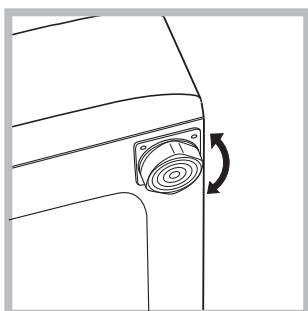
3. Remove the 4 protective screws (used during transportation) and the rubber washer with the corresponding spacer, located on the rear part of the appliance (see figure).

4. Close off the holes using the plastic plugs provided.
5. Keep all the parts in a safe place: you will need them again if the washing machine needs to be moved to another location.

! Packaging materials should not be used as toys for children.

### Levelling

1. Install the washing machine on a flat sturdy floor, without resting it up against walls, furniture cabinets or anything else.

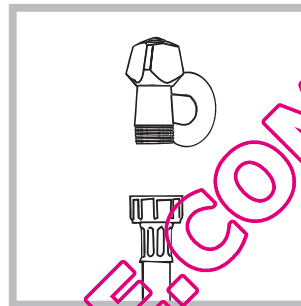


2. If the floor is not perfectly level, compensate for any unevenness by tightening or loosening the adjustable front feet (see figure); the angle of inclination, measured in relation to the worktop, must not exceed 2°.

Levelling the machine correctly will provide it with stability, help to avoid vibrations and excessive noise and prevent it from shifting while it is operating. If it is placed on carpet or a rug, adjust the feet in such a way as to allow a sufficient ventilation space underneath the washing machine.

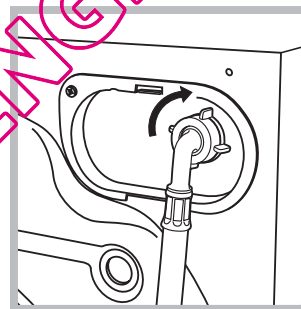
## Connecting the electricity and water supplies

### Connecting the water inlet hose



1. Connect the supply pipe by screwing it to a cold water tap using a  $\frac{3}{4}$  gas threaded connection (see figure).

Before performing the connection, allow the water to run freely until it is perfectly clear.



2. Connect the inlet hose to the washing machine by screwing it onto the corresponding water inlet of the appliance, which is situated on the top right-hand side of the rear part of the appliance (see figure).

3. Make sure that the hose is not folded over or bent.

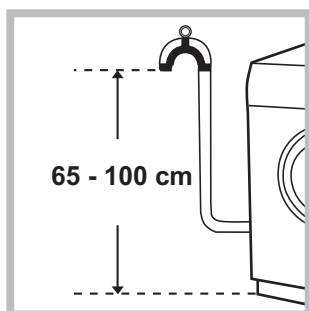
! The water pressure at the tap must fall within the values indicated in the Technical details table (see next page).

! If the inlet hose is not long enough, contact a specialised shop or an authorised technician.

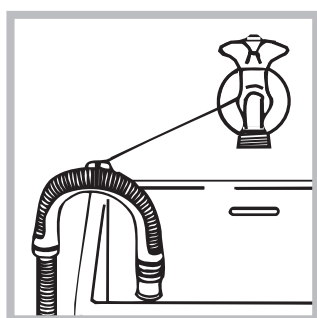
! Never use second-hand hoses.

! Use the ones supplied with the machine.

### Connecting the drain hose



Connect the drain hose, without bending it, to a drainage duct or a wall drain located at a height between 65 and 100 cm from the floor;



alternatively, rest it on the side of a washbasin or bathtub, fastening the duct supplied to the tap (see figure). The free end of the hose should not be underwater.

! We advise against the use of hose extensions; if it is absolutely necessary, the extension must have the same diameter as the original hose and must not exceed 150 cm in length.

### Electrical connections

Before plugging the appliance into the electricity socket, make sure that:

- the socket is earthed and complies with all applicable laws;
- the socket is able to withstand the maximum power load of the appliance as indicated in the Technical data table (see opposite);
- the power supply voltage falls within the values indicated in the Technical data table (see opposite);
- the socket is compatible with the plug of the washing machine. If this is not the case, replace the socket or the plug.

! The washing machine must not be installed outdoors, even in covered areas. It is extremely dangerous to leave the appliance exposed to rain, storms and other weather conditions.

! When the washing machine has been installed, the electricity socket must be within easy reach.

! Do not use extension cords or multiple sockets.

! The cable should not be bent or compressed.

! The power supply cable must only be replaced by authorised technicians.

Warning! The company shall not be held responsible in the event that these regulations are not respected.

### The first wash cycle

Once the appliance has been installed, and before you use it for the first time, run a wash cycle with detergent and no laundry, using the wash cycle 2.

#### Technical data

**Model** ECO8F 1292

**Dimensions** width 59.5 cm  
height 85 cm  
depth 60 cm

**Capacity** from 1 to 8 kg

**Electrical connections** please refer to the technical data plate fixed to the machine

**Water connections** maximum pressure 1 MPa (10 bar)  
minimum pressure 0.05 MPa (0.5 bar)  
drum capacity 62 litres

**Spin speed** up to 1200 rotations per minute

**Energy rated programmes according to regulation EN 60456** programme 6; temperature 60°C; using a load of 8 kg.

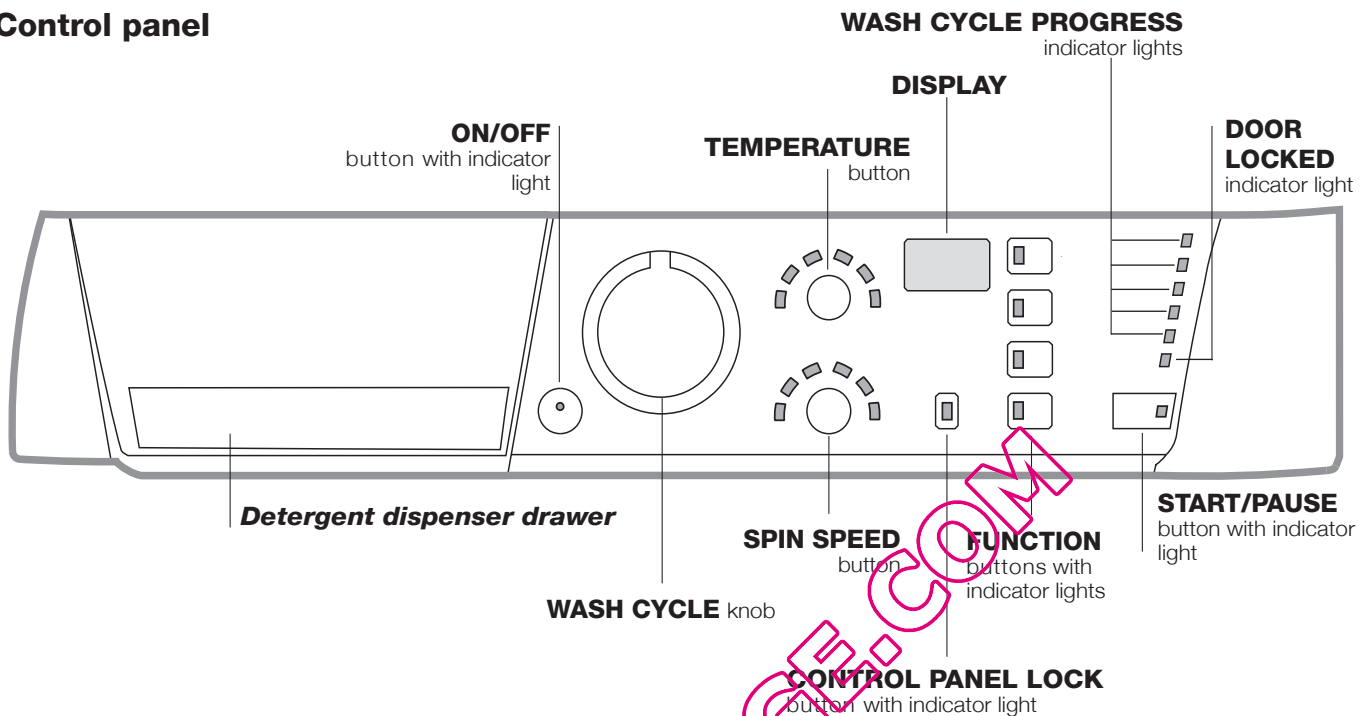


This appliance conforms to the following EC Directives:  
- 2004/108/EC (Electromagnetic Compatibility)  
- 2006/95/EC (Low Voltage)  
- 2002/96/EC

# Description of the washing machine and starting a wash cycle

GB

## Control panel



**Detergent dispenser drawer:** used to dispense detergents and washing additives (see "Detergents and laundry").

**ON/OFF button with indicator light:** switches the machine on and off. If the indicator light is illuminated, this indicates that the machine is switched on.

**WASH CYCLE knob:** programmes the wash cycles. During the wash cycle, the knob does not move.

**SPIN SPEED button:** sets the spin speed or exclude the spin cycle completely (see "Personalisation").

**TEMPERATURE button:** sets the temperature or the cold wash cycle (see "Personalisation").

**DISPLAY:** indicates the time remaining for the selected wash cycle and, if a delayed start has been programmed, the time remaining until the start of the wash cycle.

**CONTROL PANEL LOCK button with indicator light:** activates or deactivates the control panel lock.

**FUNCTION buttons with indicator light:** used to select the available functions. The indicator light corresponding to the selected function will remain lit.

**WASH CYCLE PROGRESS indicator lights:** used to monitor the progress of the wash cycle. The illuminated indicator light shows which phase is in progress.

**DOOR LOCKED indicator light:** indicates whether the door may be opened or not (see next page).

**START/PAUSE button with indicator light:** starts or temporarily interrupts the wash cycles.

**N.B.** To pause the wash cycle in progress, press this button; the corresponding indicator light will flash orange, while the indicator light for the current wash cycle phase will remain lit in a fixed manner. If the DOOR LOCKED indicator light is switched off, the door may be opened. To start the wash cycle from the point at which it was interrupted, press this button again.

### Standby mode

This washing machine, in compliance with new energy saving regulations, is fitted with an automatic standby system which is enabled after about 30 minutes if no activity is detected. Press the ON-OFF button briefly and wait for the machine to start up again.





## Indicator lights

The indicator lights provide important information. This is what they can tell you:

### Wash cycle phase indicator lights

As the WASH CYCLE knob is rotated, the indicator lights illuminate, indicating the stages which will be performed by the machine in accordance with the selected wash cycle.

Once the desired wash cycle has been selected and has begun, the indicator lights switch on one by one to indicate which phase of the cycle is currently in progress.

Wash		
Rinse		
Spin		
Drain no spin		
End of wash cycle	<b>END</b>	

### Function buttons and corresponding indicator lights

When a function is selected, the corresponding indicator light will illuminate.

If the selected function is not compatible with the programmed wash cycle, the corresponding indicator light will flash, a sound signal will be emitted and the function will not be activated.

If a function which is incompatible with another function selected previously, only the most recent selection will remain active.

### Temperature indicator light

When a temperature value is selected, the corresponding indicator light will illuminate.



### Spin indicator light

When a spin value is selected, the corresponding indicator light will illuminate.



### Control panel lock indicator light

To **activate** the control panel lock, press and hold the button for approximately 2 seconds. When the indicator light is illuminated, the control panel is locked. This means it is possible to prevent wash cycles from being modified accidentally, especially where there are children in the home.

To **deactivate** the control panel lock, press and hold the button for approximately 2 seconds.

### Door locked indicator light

If this indicator light is on, the appliance door is locked to prevent it from being opened accidentally; to avoid any damage, wait for the indicator light to switch off before you open the appliance door.

**N.B.** If the DELAY TIMER function is activated, the door cannot be opened; pause the machine by pressing the START/PAUSE button if you wish to open it.

! If the START/PAUSE indicator light (orange) flashes rapidly at the same time as the function indicator light, this indicates a problem has occurred (see "Troubleshooting").

## Starting a wash cycle

1. Turn the washing machine on by pressing the ON/OFF button. All the indicator lights will turn on for a few seconds, then only the indicator lights relative to the selected programme settings will remain lit and the START/PAUSE indicator light will flash.
2. Load the laundry and close the door.
3. Set the WASH CYCLE knob to the desired programme.
4. Set the washing temperature (see "Personalisation").
5. Set the spin speed (see "Personalisation").
6. Measure out the detergent and washing additives (see "Detergents and laundry").
7. Select the desired functions.
8. Start the wash cycle by pressing the START/PAUSE button and the corresponding indicator light will remain lit in a fixed manner, in green.

To cancel the set wash cycle, pause the machine by pressing the START/PAUSE button and select a new cycle.

9. At the end of the wash cycle the **END** indicator light will switch on. The **DOOR LOCKED** indicator light will switch off, indicating that the door may be opened. Take out your laundry and leave the appliance door ajar to make sure the drum dries completely. Switch the washing machine off by pressing the ON/OFF button.

# Wash cycles

**Table of wash cycles**

Wash cycles	Description of the wash cycle	Max. temp. (°C)	Max. speed (rpm)	Detergents				Max. load (kg)	Cycle duration	
				Prewash	Bleach	Wash	Fabric softener			
<b>Essentials cycles</b>										
1	<b>Cotton + Prewash:</b> extremely soiled whites.	90°	1200	●	-	●	●	8	The duration of the wash cycles can be checked on the display.	
2	<b>Cotton:</b> heavily soiled whites and resistant colours.	60°	1200	-	●	●	●	8		
2	<b>Cotton (2):</b> lightly soiled whites and delicate colours.	40°	1200	-	●	●	●	8		
3	<b>Coloured cottons (3):</b> lightly soiled whites and delicate colours.	40°	1200	-	●	●	●	8		
4	<b>Synthetics:</b> heavily soiled resistant colours.	60°	800	-	-	●	●	4		
4	<b>Synthetics:</b> lightly soiled resistant colours.	40°	800	-	-	●	●	4		
5	<b>Mix 15':</b> to refresh lightly soiled garments quickly (not suitable for wool, silk and clothes which require washing by hand).	30	800	-	-	●	●	1,5		
<b>Special cycles</b>										
6	<b>Sanitizing cycle:</b> extremely soiled whites.	90°	1200	-	●	●	●	8		
6	<b>Sanitizing cycle (1):</b> heavily soiled whites and resistant colours.	60°	1200	-	-	●	●	8		
7	<b>Goodnight cycle:</b> lightly soiled delicate colours.	40°	800	-	-	●	●	4		
8	<b>Shirts</b>	40°	600	-	-	●	●	2		
9	<b>Silk/Curtains:</b> for garments in silk and viscose, lingerie.	30°	0	-	-	●	●	2		
10	<b>Wool:</b> for wool, cashmere, etc.	40°	600	-	-	●	●	2		
<b>Eco cycles</b>										
11	<b>Cottons</b>	Cold Water	1200	-	-	●	●	8		
12	<b>Synthetics</b>	Cold Water	800	-	-	●	●	3		
13	<b>Fast Wash</b>	Cold Water	800	-	-	●	●	3		
<b>Partials wash cycles</b>										
A	Rinse	-	1200	-	-	-	●	8		
B	Spin	-	1200	-	-	-	-	8		
C	Pump out	-	0	-	-	-	-	8		

The information contained in the table is intended as a guide only.

For all Test Institutes:

- 1) Test wash cycle in compliance with regulation EN 60456: set wash cycle 6 with a temperature of 60°C.
- 2) Long wash cycle for cottons: set wash cycle 2 with a temperature of 40°C.
- 3) Short wash cycle for cottons: set wash cycle 3 with a temperature of 40°C.




## Specials wash cycles

**Mix 15'**(wash cycle 5) this wash cycle was designed to wash lightly soiled garments quickly: it lasts just 15 minutes and therefore saves both energy and time. By selecting this wash cycle (5 at 30°C), it is possible to wash different fabrics together (except for wool and silk items), with a maximum load of 1.5 kg.

**Sanitizing cycle** (wash cycle 6). A high-temperature hygienic wash cycle (over 60°C) which requires the use of bleach. Pour the bleach, the detergent and the additives into the relevant compartments (see paragraph entitled "Detergent dispenser drawer").

**Goodnight cycle** (wash cycle 7). This is a silent cycle which can be run at night, when the electricity prices are lower. The wash cycle is designed for cottons and synthetics. At the end of the cycle the machine stops while there is still water in the drum; to spin and drain the laundry press the START/PAUSE button; alternatively the machine will perform the spin cycle and drain the water automatically after 8 hours.

## Eco cycles

The Eco Cycles assure energy saving by eliminating the need of heating water and it's an advantage both to your energy bill and the environment! These innovative Eco programmes (Cotton , Synthetics  and Fast Wash ) are available for various fabrics and different quantity of garment; they have been designed to guarantee a high cleaning action even at low temperature and can be used for lightly to medium soiled loads.

Eco Cycles give the best results thanks to an intensified wash action, water optimization and are carried out in the same average time of a standard cycle.

For the best washing results with Eco Cycles we recommend the usage of a liquid detergent.

# Personalisation

## Setting the temperature

By pressing the TEMPERATURE button to set the wash temperature (see *Table of wash cycles*).

The temperature may be lowered, or even set to a cold wash (❄).

The washing machine will automatically prevent you from selecting a temperature which is higher than the maximum value set for each wash cycle.

## Setting the spin speed

By pressing the SPIN SPEED button to set the spin speed for the selected wash cycle.

The maximum spin speeds available for each wash cycle are as follows:

Wash cycles	Maximum spin speed
Cottons	1200 rpm
Synthetics	800 rpm
Wool	600 rpm
Silk	drain only

The spin speed may be lowered, or the spin cycle can be excluded altogether by selecting the symbol ⌘.

The washing machine will automatically prevent you from selecting a spin speed which is higher than the maximum speed set for each wash cycle.

## Functions

The various wash functions available with this washing machine will help to achieve the desired results, every time.

To activate the functions:

1. Press the button corresponding to the desired function;
2. the function is enabled when the corresponding indicator light is illuminated.

Note: If the indicator light flashes rapidly, this signals that this particular function may not be selected in conjunction with the selected wash cycle.

### Delay timer

To set a delayed start for the selected wash cycle, press the button repeatedly until the desired delay time is displayed (this may be between 1 hour and 24 hours).

To disable the function press the button until the text OFF is displayed.

**N.B.** Once you have pressed the START/PAUSE button, the delay time may only be decreased if you wish to modify it.

! This option is enabled with all programmes.

### Super Wash

Because a greater quantity of water is used in the initial phase of the cycle, and because of the increased cycle duration, this function offers a high-performance wash.

! This function may not be used in conjunction with wash cycles 5, 6, 9, 10, 11, 12, 13, A, B, C.

### Extra rinse

By selecting this function, the efficiency of the rinse is increased and optimal detergent removal is guaranteed. It is particularly useful for sensitive skin.

! This function may not be used in conjunction with wash cycles 5, 13, B, C.

### Easy iron

By selecting this function, the wash and spin cycles will be modified in order to reduce the formation of creases. At the end of the cycle the washing machine will perform slow rotations of the drum; the EASY IRON and START/PAUSE indicator lights will flash (orange) and the END phase will remain lit in a fixed manner. To end the cycle, press the START/PAUSE button or the EASY IRON button.

For the **Silk** wash cycle, the machine will end the cycle while the laundry is soaking, the EASY IRON and START/PAUSE indicator lights will flash (orange) and the RINSE phase will remain lit in a fixed manner. To drain the water so that the laundry may be removed, press the START/PAUSE button or the EASY IRON button.

! This function may not be used in conjunction with wash cycles 5, 6, 7, 10, 11, 12, 13, B, C.

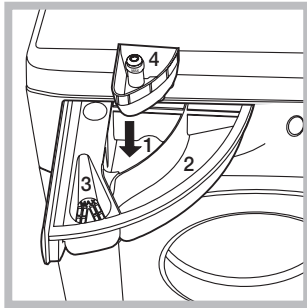
# Detergents and laundry

GB

## Detergent dispenser drawer

Good washing results also depend on the correct dose of detergent: adding too much detergent will not necessarily result in a more efficient wash, and may in fact cause build up on the inside of your appliance and contribute to environmental pollution.

! Do not use hand washing detergents because these create too much foam.



Open the detergent dispenser drawer and pour in the detergent or washing additive, as follows.

### compartment 1: Pre-wash detergent (powder)

Before pouring in the detergent, make sure that extra compartment 4 has been removed.

### compartment 2: Detergent for the wash cycle (powder or liquid)

Liquid detergent should only be poured in immediately prior to the start of the wash cycle.

### compartment 3: Additives (fabric softeners, etc.)

The fabric softener should not overflow the grid.

### extra compartment 4: Bleach

## Bleach cycle

Bleaching may only be performed in conjunction with wash cycles **2, 3, 6**.

Pour the bleach into extra compartment **4**; pour the detergent and softener into the corresponding compartments, then select one of the above mentioned wash cycles.

This option is recommended only for very soiled cotton garments.

## Preparing the laundry

- Divide the laundry according to:
  - the type of fabric/the symbol on the label.
  - the colours: separate coloured garments from whites
- Empty all garment pockets and check the buttons.
- Do not exceed the listed values, which refer to the weight of the laundry when dry:
  - Durable fabrics: max. 8 kg
  - Synthetic fabrics: max. 4 kg
  - Delicate fabrics: max. 2 kg
  - Wool: max. 2 kg

## How much does your laundry weigh?

- 1 sheet 400-500 g
- 1 pillow case 150-200 g
- 1 tablecloth 400-500 g
- 1 bathrobe 900-1200 g
- 1 towel 150-250 g

## Garments requiring special care


**Shirts:** use special wash cycle **8** to wash shirts in various fabrics and colours.

It guarantees maximum care is taken of the garments and minimises the formation of creases.

**Silk:** use special wash cycle **9** to wash all silk garments.

We recommend the use of special detergent which has been designed to wash delicate clothes.

**Curtains:** fold curtains and place them in a pillow case or mesh bag. Use wash cycle **9**.

**Wool:** is the only washing machine manufacturer to have been awarded the prestigious Woolmark Platinum Care endorsement (M.0508) by the Woolmark Company, which means that all woollen garments may be washed in the washing machine, even those which state "hand wash only"  on the label. Wash cycle **10** therefore offers complete peace of mind when washing woollen garments in the washing machine (max. load 2 kg) and guarantees optimal performance.

## Load balancing system

Before every spin cycle, to avoid excessive vibrations and to distribute the load in a uniform manner, the drum rotates continuously at a speed which is slightly greater than the washing rotation speed. If, after several attempts, the load is not balanced correctly, the machine spins at a reduced spin speed. If the load is excessively unbalanced, the washing machine performs the distribution process instead of spinning. To encourage improved load distribution and balance, we recommend small and large garments are mixed in the load.



# Precautions and tips

! This washing machine was designed and constructed in accordance with international safety regulations. The following information is provided for safety reasons and must therefore be read carefully.

## General safety

- This appliance is not intended for use by persons (including children) with reduced physical, sensory or mental capabilities, or lack of experience and knowledge, unless they have been given supervision or instruction concerning use of the appliance by a person responsible for their safety. Children should be supervised to ensure that they do not play with the appliance.
- This appliance was designed for domestic use only.
- Do not touch the machine when barefoot or with wet or damp hands or feet.
- Do not pull on the power supply cable when unplugging the appliance from the electricity socket. Hold the plug and pull.
- Do not open the detergent dispenser drawer while the machine is in operation.
- Do not touch the drained water as it may reach extremely high temperatures.
- Never force the porthole door. This could damage the safety lock mechanism designed to prevent accidental opening.
- If the appliance breaks down, do not under any circumstances access the internal mechanisms in an attempt to repair it yourself.
- Always keep children well away from the appliance while it is operating.
- The door can become quite hot during the wash cycle.
- If the appliance has to be moved, work in a group of two or three people and handle it with the utmost care. Never try to do this alone, because the appliance is very heavy.
- Before loading laundry into the washing machine, make sure the drum is empty.

## Disposal

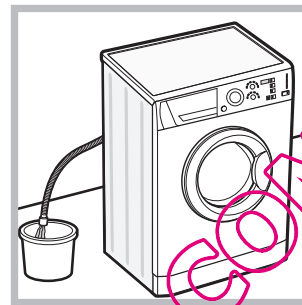
- Disposing of the packaging materials: observe local regulations so that the packaging may be re-used.
- The European Directive 2002/96/EC on Waste Electrical and Electronic Equipment, requires that old household electrical appliances must not be disposed of in the normal unsorted municipal waste stream. Old appliances must be collected separately in order to optimise the recovery and recycling of the materials they contain and reduce the impact on human health and the environment. The crossed out "wheeled bin" symbol on the product reminds you of your obligation, that when you dispose of the appliance it must be separately collected.

Consumers should contact their local authority or retailer for information concerning the correct disposal of their old appliance.

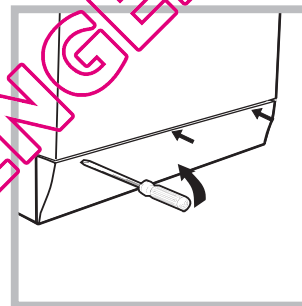
GB

## Opening the porthole door manually

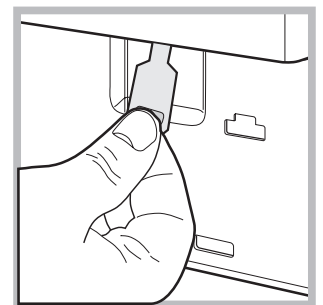
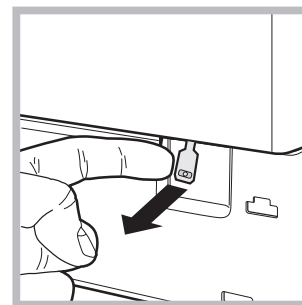
In the event that it is not possible to open the porthole door due to a powercut, and if you wish to remove the laundry, proceed as follows:



1. remove the plug from the electrical socket.
2. make sure the water level inside the machine is lower than the door opening; if it is not, remove excess water using the drain hose, collecting it in a bucket as indicated in the figure.



3. using a screwdriver, remove the cover panel on the lower front part of the washing machine (see figure).



4. pull outwards using the tab as indicated in the figure, until the plastic tie-rod is freed from its stop position; pull downwards and open the door at the same time.

5. reposition the panel, making sure the hooks are securely in place before you push it onto the appliance.

# Care and maintenance

GB

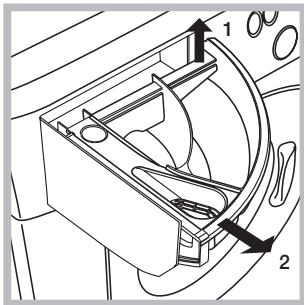
## Cutting off the water and electricity supplies

- Turn off the water tap after every wash cycle. This will limit wear on the hydraulic system inside the washing machine and help to prevent leaks.
- Unplug the washing machine when cleaning it and during all maintenance work.

## Cleaning the washing machine

The outer parts and rubber components of the appliance can be cleaned using a soft cloth soaked in lukewarm soapy water. Do not use solvents or abrasives.

## Cleaning the detergent dispenser drawer



Remove the dispenser by raising it and pulling it out (see figure). Wash it under running water; this operation should be repeated frequently.

## Caring for the door and drum of your appliance

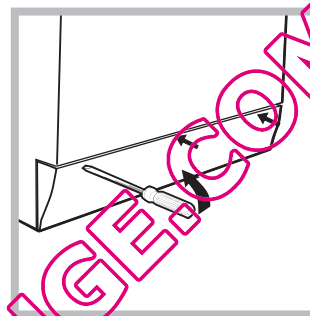
- Always leave the porthole door ajar in order to prevent unpleasant odours from forming.

## Cleaning the pump

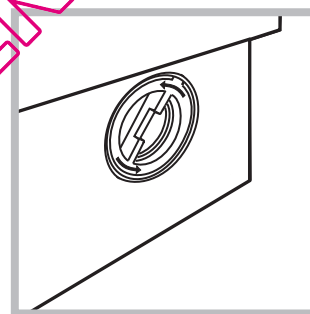
The washing machine is fitted with a self-cleaning pump which does not require any maintenance. Sometimes, small items (such as coins or buttons) may fall into the pre-chamber which protects the pump, situated in its bottom part.

! Make sure the wash cycle has finished and unplug the appliance.

To access the pre-chamber:



1. using a screwdriver, remove the cover panel on the lower front part of the washing machine (see figure);



2. unscrew the lid by rotating it anti-clockwise (see figure); a little water may trickle out. This is perfectly normal;

3. clean the inside thoroughly;
4. screw the lid back on;
5. reposition the panel, making sure the hooks are securely in place before you push it onto the appliance.

## Checking the water inlet hose

Check the inlet hose at least once a year. If there are any cracks, it should be replaced immediately: during the wash cycles, water pressure is very strong and a cracked hose could easily split open.

! Never use second-hand hoses.

# Troubleshooting

Your washing machine could fail to work. Before contacting the Technical Assistance Centre (see "Assistance"), make sure that the problem cannot be not solved easily using the following list.

## Problem:

## Possible causes / Solutions:

**The washing machine does not switch on.**

- The appliance is not plugged into the socket fully, or is not making contact.
- There is no power in the house.

**The wash cycle does not start.**

- The washing machine door is not closed properly.
- The ON/OFF button has not been pressed.
- The START/PAUSE button has not been pressed.
- The water tap has not been opened.
- A delayed start has been set (using the Delay Timer, see "Personalisation").

**The washing machine does not take in water (the indicator light for the first wash cycle stage flashes rapidly).**

- The water inlet hose is not connected to the tap.
- The hose is bent.
- The water tap has not been opened.
- There is no water supply in the house.
- The pressure is too low.
- The START/PAUSE button has not been pressed.

**The washing machine continuously takes in and drains water.**

- The drain hose is not fitted at a height between 65 and 100 cm from the floor (see "Installation").
- The free end of the hose is under water (see "Installation").
- The wall drainage system is not fitted with a breather pipe.

If the problem persists even after these checks, turn off the water tap, switch the appliance off and contact the Assistance Service. If the dwelling is on one of the upper floors of a building, there may be problems relating to water drainage, causing the washing machine to fill with water and drain continuously. Special anti-draining valves are available in shops and help to avoid this inconvenience.

**The washing machine does not drain or spin.**

- The wash cycle does not include draining: some wash cycles require the drain phase to be started manually.
- The EASY IRON function has been activated: To complete the wash cycle, press the START/PAUSE button ("Personalisation").
- The drain hose is bent (see "Installation").
- The drainage duct is clogged.

**The washing machine vibrates a lot during the spin cycle.**

- The drum was not unlocked correctly during installation (see "Installation").
- The washing machine is not level (see "Installation").
- The washing machine is trapped between cabinets and walls (see "Installation").

**The washing machine leaks.**

- The water inlet hose is not screwed on properly (see "Installation").
- The detergent dispenser drawer is blocked (for cleaning instructions, see "Care and maintenance").
- The drain hose is not fixed properly (see "Installation").

**The START/PAUSE indicator light (orange) and the function indicator lights flash rapidly.**

- Switch off the machine and unplug it, wait for approximately 1 minute and then switch it back on again.  
If the problem persists, contact the Technical Assistance Service.

**There is too much foam.**

- The detergent is not suitable for machine washing (it should display the text "for washing machines" or "hand and machine wash", or the like).
- Too much detergent was used.

# Service

---

GB

## **Before calling for Assistance:**

- Check whether you can solve the problem alone (see “*Troubleshooting*”);
- Restart the programme to check whether the problem has been solved;
- If this is not the case, contact an authorised Technical Assistance Centre using the telephone number provided on the guarantee certificate.

! Always request the assistance of authorised technicians.

## **Have the following information to hand:**

- the type of problem;
- the appliance model (Mod.);
- the serial number (S/N).

This information can be found on the data plate applied to the rear of the washing machine, and can also be found on the front of the appliance by opening the door.

QUELLAVELINGE.COM

FR

Français

ECO8F 1292

### Sommaire

#### Installation, 14-15

Déballage et mise à niveau  
Raccordements eau et électricité  
Premier cycle de lavage  
Caractéristiques techniques

#### Description du lave-linge et démarrage d'un programme, 16-17

Bandeau de commandes  
Voyants  
Démarrage d'un programme

#### Programmes, 18

Tableau des programmes

#### Personnalisations, 19

Sélection de la température  
Sélection de l'essorage  
Fonctions

#### Produits lessiviels et linge, 20

Tiroir à produits lessiviels  
Cycle blanchissage  
Triage du linge  
Linge ou vêtements particuliers  
Système d'équilibrage de la charge

#### Précautions et conseils, 21

Sécurité générale  
Mise au rebut  
Ouverture manuelle de la porte hublot

#### Entretien et soin, 22

Coupure de l'arrivée d'eau et du courant  
Nettoyage du lave-linge  
Nettoyage du tiroir à produits lessiviels.  
Entretien du hublot et du tambour  
Nettoyage de la pompe  
Contrôle du tuyau d'arrivée de l'eau

#### Anomalies et remèdes, 23

#### Assistance, 24

FR

QUELLAVELINGE.COM

# Installation

FR

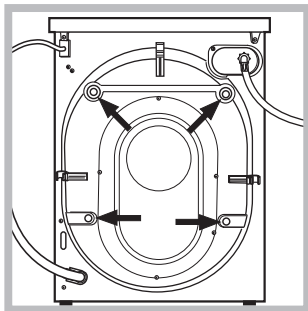
! Conserver ce mode d'emploi pour pouvoir le consulter à tout moment. En cas de vente, de cession ou de déménagement, veiller à ce qu'il suive toujours le lave-linge pour que son nouveau propriétaire soit informé sur son mode de fonctionnement et puisse profiter des conseils correspondants.

! Lire attentivement les instructions: elles fournissent des conseils importants sur l'installation, l'utilisation et la sécurité de l'appareil.

## Déballage et mise à niveau

### Déballage

1. Déballer le lave-linge.
2. Contrôler que le lave-linge n'a pas été endommagé pendant le transport. S'il est abîmé, ne pas le raccorder et contacter le vendeur.



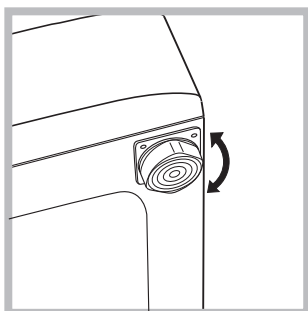
3. Enlever les 4 vis de protection servant au transport, le caoutchouc et la cale, placés dans la partie arrière (voir figure).

4. Boucher les trous à l'aide des bouchons plastique fournis.
5. Conserver toutes ces pièces: il faudra les remonter en cas de transport du lave-linge.

! Les pièces d'emballage ne sont pas des jouets pour enfants.

### Mise à niveau

1. Installer le lave-linge sur un sol plat et rigide, sans l'appuyer contre des murs, des meubles ou autre.

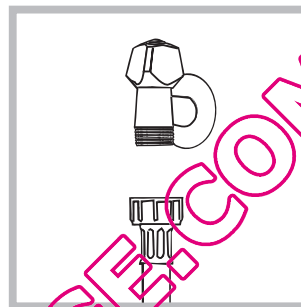


2. Si le sol n'est pas parfaitement horizontal, visser ou dévisser les pieds de réglage avant (voir figure) pour niveler l'appareil; son angle d'inclinaison, mesuré sur le plan de travail, ne doit pas dépasser 2°.

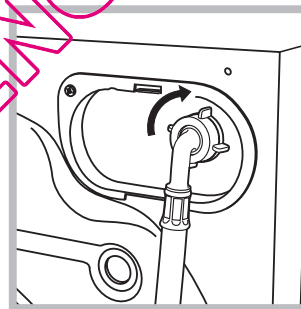
Une bonne mise à niveau garantit la stabilité de l'appareil et évite qu'il y ait des vibrations, du bruit et des déplacements en cours de fonctionnement. Si la machine est posée sur de la moquette ou un tapis, régler les pieds de manière à ce qu'il y ait suffisamment d'espace pour assurer une bonne ventilation.

## Raccordements eau et électricité

### Raccordement du tuyau d'arrivée de l'eau



1. Reliez le tuyau d'alimentation en le vissant à un robinet d'eau froide à embout fileté 3/4 gaz (voir figure). Faire couler l'eau jusqu'à ce qu'elle soit limpide et sans impuretés avant de raccorder.



2. Raccorder le tuyau d'arrivée de l'eau au lave-linge en le vissant à la prise d'eau prévue, dans la partie arrière en haut à droite (voir figure).

3. Attention à ce que le tuyau ne soit pas plié ou écrasé.

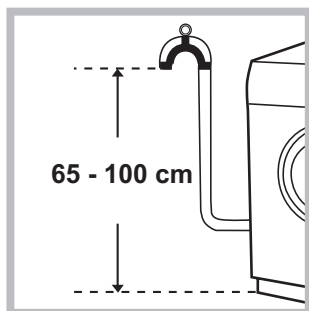
! La pression de l'eau doit être comprise entre les valeurs indiquées dans le tableau des Caractéristiques techniques (voir page ci-contre).

! Si la longueur du tuyau d'alimentation ne suffit pas, s'adresser à un magasin spécialisé ou à un technicien agréé.

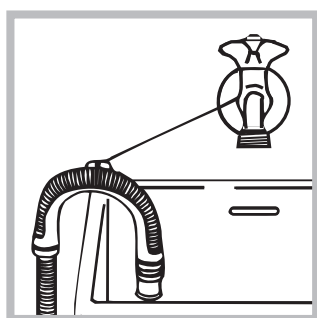
! N'utiliser que des tuyaux neufs.

! Utiliser ceux qui sont fournis avec l'appareil.

### Raccordement du tuyau de vidange



Raccorder le tuyau d'évacuation, sans le plier, à un conduit d'évacuation ou à une évacuation murale placés à une distance du sol comprise entre 65 et 100 cm;



ou bien l'accrocher à un évier ou à une baignoire, dans ce cas, fixer le support en plastique fourni avec l'appareil au robinet (voir figure). L'extrémité libre du tuyau d'évacuation ne doit pas être plongée dans l'eau.

! L'utilisation d'un tuyau de rallonge est absolument déconseillée mais si on ne peut faire autrement, il faut absolument qu'il ait le même diamètre que le tuyau original et sa longueur ne doit pas dépasser 150 cm.

### Branchement électrique

Avant de brancher la fiche dans la prise de courant, s'assurer que:

- la prise est bien reliée à la terre et est conforme aux réglementations en vigueur;
- la prise est bien apte à supporter la puissance maximale de l'appareil indiquée dans le tableau des Caractéristiques techniques (voir ci-contre);
- la tension d'alimentation est bien comprise entre les valeurs figurant dans le tableau des Caractéristiques techniques (voir ci-contre);
- la prise est bien compatible avec la fiche du lave-linge. Autrement, remplacer la prise ou la fiche.

! Le lave-linge ne doit pas être installé dehors, même à l'abri, car il est très dangereux de le laisser exposé à la pluie et aux orages.

! Après installation du lave-linge, la prise de courant doit être facilement accessible.

! N'utiliser ni rallonges ni prises multiples.

! Le câble ne doit être ni plié ni trop écrasé.

! Le câble d'alimentation ne doit être remplacé que par des techniciens agréés.

Attention! Nous déclinons toute responsabilité en cas de non-respect des normes énumérées ci-dessus.

### Premier cycle de lavage

Avant la première mise en service de l'appareil, effectuer un cycle de lavage avec un produit lessiviel mais sans linge et sélectionner le programme 2.

#### Caractéristiques techniques

<b>Modèle</b>	ECO8F 1292
<b>Dimensions</b>	largeur 59,5 cm hauteur 85 cm profondeur 60 cm
<b>Capacité</b>	de 1 à 8 kg
<b>Raccordements électriques</b>	Voir la plaque signalétique appliquée sur la machine
<b>Raccordements hydrauliques</b>	pression maximale 1 MPa (10 bar) pression minimale 0,05 MPa (0,5 bar) capacité du tambour 62 litres
<b>Vitesse d'essorage</b>	jusqu'à 1200 tours minute
<b>Programmes de contrôle selon la norme EN 60456</b>	programme 6; température 60°C; effectué avec une charge de 8 kg.

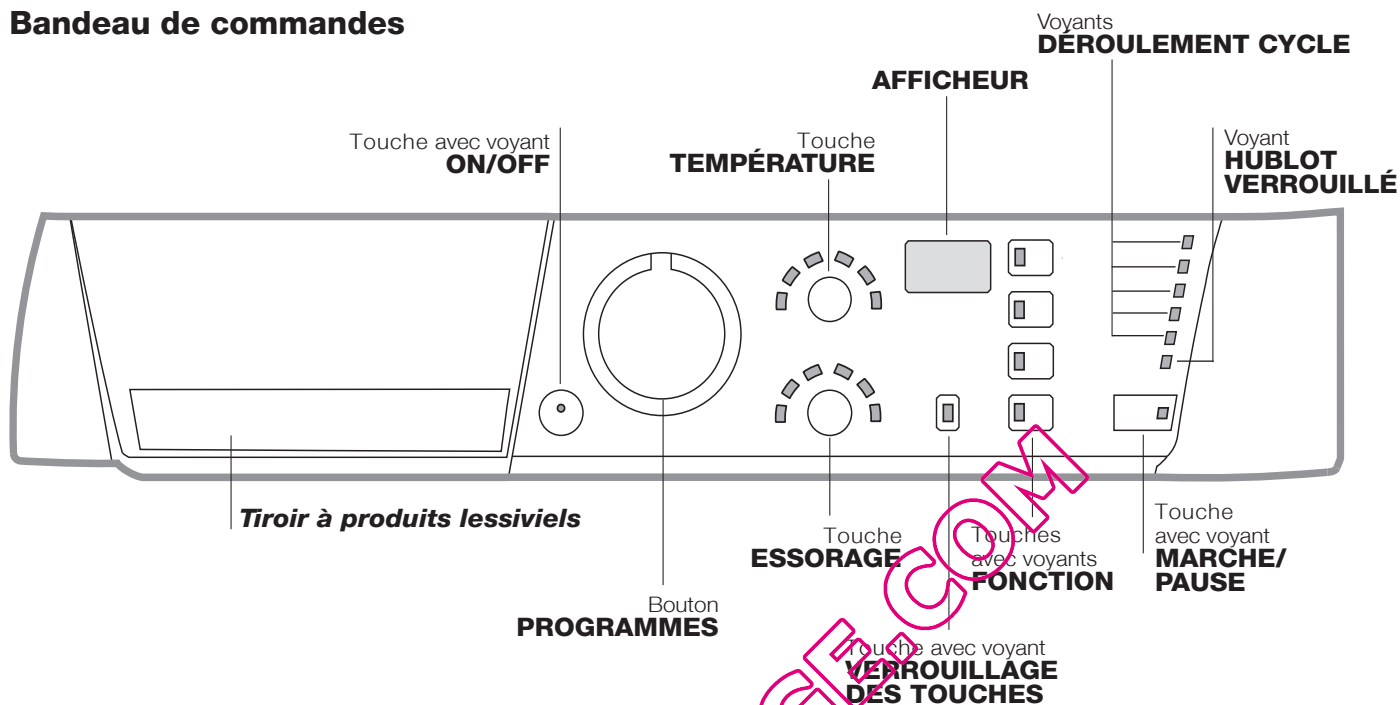


Cet appareil est conforme aux Directives Communautaires suivantes:  
- 2004/108/CE (Compatibilité électromagnétique)  
- 2002/96/CE  
- 2006/95/CE (Basse Tension)

# Description du lave-linge et démarrage d'un programme

FR

## Bandeau de commandes



**Tiroir à produits lessiviels:** pour charger les produits lessiviels et les additifs (voir "Produits lessiviels et linge").

Touche avec voyant **ON/OFF:** pour allumer ou éteindre le lave-linge.  
Le témoin allumé indique que l'appareil est sous tension.

Bouton **PROGRAMMES:** pour sélectionner les programmes. Pendant le programme, le bouton ne tournera pas.

Touche **ESSORAGE:** pour sélectionner l'essorage ou le supprimer (voir "Personnalisations").

Touche **TEMPÉRATURE:** pour sélectionner la température ou un lavage à froid (voir "Personnalisations").

**AFFICHEUR:** pour afficher le temps restant du cycle de lavage sélectionné et, en cas de sélection d'un départ différé, le temps restant avant le démarrage du lavage.

Touche et voyant **VERROUILLAGE DES TOUCHES:** pour activer ou désactiver le verrouillage du bandeau de commandes.

Touches avec voyants **FONCTION:** pour sélectionner les fonctions disponibles. Le voyant correspondant à la fonction sélectionnée restera allumé.

Voyants **DÉROULEMENT CYCLE:** pour suivre le stade d'avancement du programme de lavage.  
Le voyant allumé indique la phase de lavage en cours.

Voyant **HUBLOT VERROUILLÉ:** indique si la porte est verrouillée (voir page ci-contre).

Touche avec voyant **MARCHÉ/PAUSE:** pour démarrer les programmes ou les interrompre momentanément.

**N.B.:** pour effectuer une pause du lavage en cours, appuyer sur cette touche, le voyant correspondant se mettra à clignoter en orange tandis que celui de la phase en cours restera allumé fixe. Si le voyant HUBLOT VERROUILLÉ est éteint, on peut ouvrir la porte.

Pour faire redémarrer le lavage exactement de l'endroit où il a été interrompu, appuyer une nouvelle fois sur la touche.

### Stand-by

Ce lave-linge, conformément aux nouvelles normes en vigueur dans le domaine de l'économie d'énergie, est équipée d'un système d'extinction automatique (veille) activé après environ 30 minutes d'inutilisation. Appuyez brièvement sur la touche ON/OFF et attendre que la machine soit réactivée.








## Voyants

Les voyants fournissent des informations importantes. Voilà ce qu'ils signalent:

### Voyants phase en cours

Au fur et à mesure qu'on tourne le bouton des PROGRAMMES, les voyants s'allument pour indiquer les phases que l'appareil effectue selon le programme choisi.

Une fois que le cycle de lavage sélectionné a démarré, les voyants s'allument progressivement pour indiquer son stade d'avancement:

Lavage	
Rinçage	
Essorage	
Vidange	
Fin de Lavage	<b>END</b> 

### Touches fonction et voyants correspondants

La sélection d'une fonction entraîne l'allumage du voyant correspondant.

Si la fonction sélectionnée est incompatible avec le programme sélectionné, le voyant correspondant se met à clignoter, un signal sonore retentit et la fonction n'est pas activée.

En cas de sélection d'une fonction incompatible avec une autre précédemment sélectionnée, la seule à être activée sera celle choisie en dernier.

### Voyants température

La sélection d'une température entraîne l'éclairage du voyant correspondant.



### Voyants essorage

La sélection d'un essorage entraîne l'éclairage du voyant correspondant.



### Voyant verrouillage des touches

Pour "activer" le verrouillage du bandeau de commandes, garder la touche enfoncée pendant 2 secondes environ. Le voyant allumé indique que le tableau de bord est verrouillé. Ceci permet d'éviter toute modification involontaire des programmes, surtout s'il y a des enfants à la maison. Pour "désactiver" le verrouillage du bandeau de commandes, garder la touche enfoncée pendant 2 secondes environ.

### Voyant hublot verrouillé

Le voyant allumé indique que le hublot est verrouillé pour empêcher toute ouverture accidentelle. Pour éviter d'endommager l'appareil, attendre que le voyant cesse de clignoter avant d'ouvrir la porte.

**N.B.:** si la fonction DÉPART DIFFÉRÉ est activée, le hublot ne s'ouvre pas. Pour l'ouvrir il faut appuyer sur la touche MARCHE/PAUSE qui met l'appareil en pause.

**!** Un clignotement rapide du voyant MARCHE/PAUSE (orange) simultané à celui des fonctions signale une anomalie (voir "Anomalies et remèdes").

## Démarrage d'un programme

1. Allumer le lave-linge en appuyant sur la touche ON/OFF. Tous les voyants s'allumeront pendant quelques secondes, ne resteront ensuite allumés que les voyants correspondant aux sélections du programme en cours et le voyant MARCHE/PAUSE se mettra à clignoter.
2. Charger le linge et fermer le hublot.
3. Sélectionner à l'aide du bouton PROGRAMMES le programme désiré.
4. Sélectionner la température de lavage (voir "Personnalisations").
5. Sélectionner la vitesse d'essorage (voir "Personnalisations").
6. Verser les produits lessiviels et les additifs (voir "Produits lessiviels et linge").
7. Sélectionner les fonctions désirées.
8. Appuyer sur la touche MARCHE/PAUSE pour démarrer le programme, le voyant correspondant vert restera allumé en fixe. Pour annuler le cycle sélectionné, appuyer sur la touche MARCHE/PAUSE pour placer l'appareil en pause et choisir un nouveau cycle.
9. A la fin du programme, le voyant **END** s'allume. Le voyant HUBLOT VERROUILLÉ s'éteint pour signaler que le hublot peut être ouvert. Sortir le linge et laisser le hublot entrouvert pour faire sécher le tambour. Eteindre le lave-linge en appuyant sur la touche ON/OFF.

# Programmes

## Tableau des programmes

Programmes	Description du Programme	Temp. maxi. (°C)	Vitesse maxi (tours minute)	Produits lessiviels				Charge maxi (Kg)	Durée cycle	
				Pré-lavage	Javel	Lavage	Assou-plissant			
<b>Programmes Quotidien</b>										
1	<b>Coton Prélavage 90°C:</b> blancs extrêmement sales.	90°	1200	●	-	●	●	8	La durée des programmes de lavage est contrôlable sur l'afficheur.	
2	<b>Coton:</b> blancs et couleurs résistantes très sales.	60°	1200	-	●	●	●	8		
2	<b>Coton (2):</b> blancs et couleurs délicates peu sales.	40°	1200	-	●	●	●	8		
3	<b>Coton (3):</b> blancs peu sales et couleurs délicates.	40°	1200	-	●	●	●	8		
4	<b>Synthétique:</b> couleurs résistantes très sales.	60°	800	-	-	●	●	4		
4	<b>Synthétique:</b> couleurs résistantes peu sales.	40°	800	-	-	●	●	4		
5	<b>MIX 15':</b> pour rafraîchir rapidement du linge peu sale (ne convient pas pour la laine, la soie et le linge à laver à la main).	30	800	-	-	●	●	1,5		
<b>Programmes Spécial</b>										
6	<b>Anti-bactérien 90°C:</b> blancs extrêmement sales.	90°	1200	-	●	●	●	8		
6	<b>Anti-bactérien 90°C (1):</b> blancs et couleurs résistantes très sales.	60°	1200	-	-	●	●	8		
7	<b>Bonne Nuit:</b> couleurs délicates peu sales.	40°	800	-	-	●	●	4		
8	<b>Chemises</b>	40°	600	-	-	●	●	2		
9	<b>Soie/Voilages:</b> pour linge en soie, viscose, lingerie.	30°	0	-	-	●	●	2		
10	<b>Laine:</b> pour laine, cachemire, etc.	40°	600	-	-	●	●	2		
<b>Eco Programmes</b>										
11	<b>Coton</b>	Eau froid	1200	-	-	●	●	8		
12	<b>Synthétique</b>	Eau froid	800	-	-	●	●	3		
13	<b>Lavage Rapide</b>	Eau froid	800	-	-	●	●	3		
<b>Cycle</b>										
A	Rinçage	-	1200	-	-	-	●	8		
B	Essorage	-	1200	-	-	-	-	8		
C	Vidange	-	0	-	-	-	-	8		

Les données dans le tableau sont reprises à titre indicatif.

Pour tous les instituts qui effectuent ces tests :

- 1) Programme de contrôle selon la norme EN 60456: sélectionner le programme 6 et une température de 60°C.
- 2) Programme coton long: sélectionner le programme 2 et une température de 40°C.
- 3) Programme coton court: sélectionner le programme 3 et une température de 40°C.



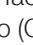
### Programmes spéciaux

**Mix 15'** (programme 5) spécialement conçu pour laver du linge peu sale en un rien de temps: il ne dure que 15 minutes et permet ainsi de faire des économies d'énergie et de temps. La sélection de ce programme (5 à 30°C) permet de laver ensemble des textiles différents (sauf laine et soie) en ne dépassant pas 1,5 kg de charge.

**Anti-bactérien** (programme 6). Un programme hautes températures qui prévoit l'utilisation de produits javelés à des températures supérieures à 60°C. Pour blanchir, verser le produit javelé, les lessives et les additifs dans les compartiments correspondants (voir paragraphe "Tiroir à produits lessiviels").

**Bonne nuit** (programme 7). C'est un cycle silencieux qui permet de faire fonctionner le lave-linge la nuit quand le tarif d'électricité est plus bas. Ce programme est spécialement conçu pour les synthétiques et le coton. A la fin du cycle l'appareil s'arrête, cuve pleine. Pour procéder à l'essorage et à la vidange, appuyer sur la touche MARCHE/PAUSE, à défaut, l'appareil procédera automatiquement au bout de 8 heures à l'essorage et à la vidange de l'eau.

### Les cycles de lavage Eco

Les cycles Eco garantissent une économie d'énergie car ils permettent d'obtenir les meilleurs résultats de lavage sans besoin de chauffer l'eau. L'action mécanique (utilisation de l'eau + phases de lavage) est optimisée afin de compenser l'action thermique. L'avantage pour vous : alléger vos factures d'eau et d'électricité. Et un geste de plus pour l'environnement! Vous pouvez utiliser ces nouveaux programmes Eco (Coton , synthétique  et Lavage Rapide ) pour tous types de textile et toute charge de linge, peu ou moyennement sale. Pour optimiser les résultats de lavage avec les programmes Eco, nous vous recommandons d'utiliser de la lessive liquide.

# Personnalisations

## Sélection de la température

Appuyer sur la touche TEMPÉRATURE pour sélectionner la température de lavage (voir *Tableau des programmes*).

La température peut être abaissée jusqu'au lavage à froid (❄).

La machine interdira automatiquement toute sélection d'une température supérieure à la température maximale prévue pour chaque programme.

## Sélection de l'essorage

Appuyer sur la touche ESSORAGE pour sélectionner la vitesse d'essorage du programme sélectionné.

Les vitesses maximales prévues pour les programmes sont:

Programmes	Vitesse maximale
Coton	1200 tours/minute
Synthétiques	800 tours/minute
Laine	600 tours/minute
Soie	vidange seule

La vitesse d'essorage peut être réduite ou l'essorage supprimé en sélectionnant le symbole (🌀).

La machine interdira automatiquement tout essorage à une vitesse supérieure à la vitesse maximale prévue pour chaque programme.

## Fonctions

Les différentes fonctions de lavage prévues par le lave-linge permettent d'obtenir la propreté et le blanc souhaités.

Pour activer les fonctions:

1. appuyer sur la touche correspondant à la fonction désirée;
2. l'allumage du voyant correspondant signale que la fonction est activée.

Remarque: Le clignotement rapide du voyant signale que la fonction correspondante n'est pas disponible pour le programme sélectionné.

### **Départ différé**

Pour programmer un départ différé du programme sélectionné, appuyer plusieurs fois de suite sur la touche jusqu'à ce que le retard désiré (de 1 à 24 h) soit affiché.

Pour désactiver cette fonction, appuyer sur la touche jusqu'à affichage du message *OFF*.

**N.B.:** Après avoir appuyé sur la touche MARCHE/PAUSE, le retard programmé ne peut être modifié que pour le diminuer.

! Il est activé avec tous les programmes.

### **Super lavage**

Grâce à l'utilisation d'une plus grande quantité d'eau au cours de la phase initiale du cycle et à l'emploi de davantage de temps, cette fonction permet d'obtenir un lavage très performant.

! Cette option n'est pas activable avec les programmes 5, 6, 9, 10, 11, 12, 13, A, B, C.

### **Rinçage plus**

La sélection de cette fonction permet d'augmenter l'efficacité du rinçage et d'éliminer toute trace de lessive. Elle est très utile en cas de peaux particulièrement sensibles.

! Cette option n'est pas activable avec les programmes 5, 13, B, C.

### **Repassage facile**

En cas de sélection de cette fonction, le lavage et l'essorage seront dûment modifiés pour réduire le froissage. En fin de cycle, le lave-linge fait tourner le tambour lentement, le voyant de la fonction REPASSAGE FACILE et celui de MARCHE/PAUSE se mettent à clignoter (orange), la phase **END** reste allumée en fixe. Pour compléter le cycle, il faut appuyer sur la touche MARCHE/PAUSE ou sur la touche REPASSAGE FACILE.

Pour le programme **Soie** l'appareil arrive au bout du cycle en laissant le linge tremper, le voyant de la fonction REPASSAGE FACILE et celui de MARCHE/PAUSE se mettent à clignoter (orange), la phase RINÇAGE reste allumée en fixe. Pour vidanger l'eau et pouvoir sortir le linge, il faut appuyer sur la touche MARCHE/PAUSE ou sur la touche REPASSAGE FACILE.

! Cette option n'est pas activable avec les programmes 5, 6, 7, 10, 11, 12, 13, B, C.

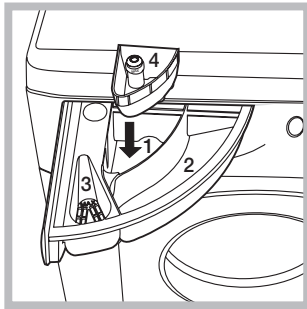
# Produits lessiviels et linge

FR

## Tiroir à produits lessiviels

Un bon résultat de lavage dépend aussi d'un bon dosage de produit lessiviel: un excès de lessive ne lave pas mieux, il incruste l'intérieur du lave-linge et pollue l'environnement.

! Ne pas utiliser de lessives pour lavage à la main, elles moussent trop.



Sortir le tiroir à produits lessiviels et verser la lessive ou l'additif comme suit.

### **bac 1: Lessive pré-lavage (en poudre)**

Avant d'introduire la lessive, s'assurer que le bac supplémentaire 4 n'est pas présent.

### **bac 2: Lessive lavage (en poudre ou liquide)**

Verser la lessive liquide juste avant la mise en marche.

### **bac 3: Additifs (assouplissant, etc.)**

L'assouplissant ne doit pas déborder de la grille.

### **bac supplémentaire 4: Produit javélinisé**

## Cycle blanchissage

Le blanchissage n'est possible qu'avec les programmes **2, 3, 6**.

Verser le produit javélinisé dans le bac supplémentaire **4**, la lessive et l'assouplissant dans les bacs correspondants, puis sélectionner un des programmes sus-indiqués. Conseillé en cas de linge en coton très sale.

## Triage du linge

- Trier correctement le linge d'après:
  - le type de textile / le symbole sur l'étiquette.
  - les couleurs: séparer le linge coloré du blanc.
- Vider les poches et contrôler les boutons.
- Ne pas dépasser les valeurs indiquées correspondant au poids de linge sec:
  - Textiles résistants: 8 kg max.
  - Textiles synthétiques: 4 kg max.
  - Textiles délicats: 2 kg max.
  - Laine: 2 kg max.

### **Combien pèse le linge ?**

- 1 drap 400-500 g
- 1 taie d'oreiller 150-200 g
- 1 nappe 400-500 g
- 1 peignoir 900-1200 g
- 1 serviette éponge 150-250 g


## Linge ou vêtements particuliers

**Chemises:** sélectionner le programme **8** approprié au lavage de chemises de couleurs et textiles différents.

Il en prend le plus grand soin en réduisant le froissage.

**Soie:** sélectionner le programme de lavage spécial **9** pour vêtements en soie. Il est conseillé d'utiliser une lessive spéciale pour linge délicat.

**Voilages:** pliez-les bien et glissez-les dans une taie d'oreiller ou dans un sac genre filet. Sélectionner le programme **9**.

**Laine:** est le seul lave-linge à avoir obtenu le prestigieux label Woolmark Platinum Care (M.0508) délivré par The Woolmark Company qui garantit le lavage à la machine de tous les vêtements en laine, y compris ceux qui portent l'étiquette "lavage à la main uniquement" . Grâce au programme **10** on peut donc laver à la machine, en toute tranquillité, tous les vêtements en laine (max. 2 kg) avec des performances de lavage optimales.

## Système d'équilibrage de la charge

Avant tout essorage, pour éviter toute vibration excessive et répartir le linge de façon uniforme, le lave-linge fait tourner le tambour à une vitesse légèrement supérieure à la vitesse de lavage. Si au bout de plusieurs tentatives, la charge n'est toujours pas correctement équilibrée, l'appareil procède à un essorage à une vitesse inférieure à la vitesse normalement prévue. En cas de déséquilibre excessif, le lave-linge préfère procéder à la répartition du linge plutôt qu'à son essorage. Pour une meilleure répartition de la charge et un bon équilibrage, nous conseillons de mélanger de grandes et petites pièces de linge.

# Précautions et conseils

! Ce lave-linge a été conçu et fabriqué conformément aux normes internationales de sécurité. Ces consignes sont fournies pour des raisons de sécurité, il faut les lire attentivement.

## Sécurité générale

- Cet appareil n'est pas destiné à être utilisé par des personnes (enfants compris) dont les capacités physiques, sensorielles ou mentales sont réduites ou qui ne disposent pas des connaissances ou de l'expérience nécessaires, à moins qu'elles n'aient été formées et encadrées pour l'utilisation de cet appareil par une personne responsable de leur sécurité. Surveiller les enfants pour s'assurer qu'ils ne jouent pas avec l'appareil.
- Cet appareil est conçu pour un usage domestique.
- Ne jamais toucher l'appareil si l'on est pieds nus et si les mains sont mouillées ou humides.
- Ne jamais tirer sur le câble pour débrancher la fiche de la prise de courant.
- Ne pas ouvrir le tiroir à produits lessiviels si la machine est branchée.
- Ne pas toucher à l'eau de vidange, elle peut atteindre des températures très élevées.
- Ne pas forcer pour ouvrir le hublot: le verrouillage de sécurité qui protège contre les ouvertures accidentelles pourrait s'endommager.
- En cas de panne, éviter à tout prix d'accéder aux mécanismes internes pour tenter une réparation.
- Veiller à ce que les enfants ne s'approchent pas de l'appareil pendant son fonctionnement.
- Pendant le lavage, le hublot a tendance à se réchauffer.
- Deux ou trois personnes sont nécessaires pour déplacer l'appareil avec toutes les précautions nécessaires. Ne jamais le déplacer tout seul car il est très lourd.
- Avant d'introduire le linge, s'assurer que le tambour est bien vide.

## Mise au rebut

- Mise au rebut du matériel d'emballage: se conformer aux réglementations locales de manière à ce que les emballages puissent être recyclés.
- La Directive Européenne 2002/96/EC sur les Déchets des Equipements Electriques et Electroniques, exige que les appareils ménagers usagés ne soient pas jetés dans le flux normal des déchets municipaux. Les appareils usagés doivent être collectés séparément afin d'optimiser le taux de récupération et le recyclage des matériaux qui les composent et réduire l'impact sur la santé humaine et l'environnement.

Le symbole de la "poubelle barrée" est apposée sur tous les produits pour rappeler les obligations de collecte séparée. Les consommateurs devront contacter les autorités locales ou leur revendeur concernant la démarche à suivre pour l'enlèvement de leur vieil appareil.

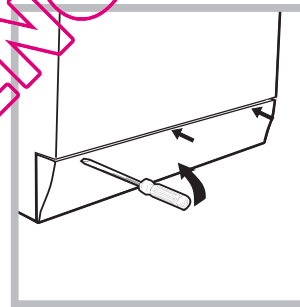
FR

## Ouverture manuelle du hublot

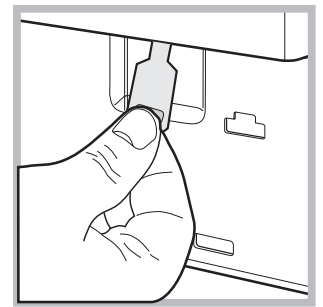
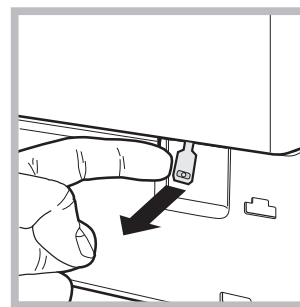
A défaut de pouvoir ouvrir la porte hublot à cause d'une panne de courant pour étendre le linge, procéder comme suit :



1. débrancher la fiche de la prise de courant.
2. s'assurer que le niveau de l'eau à l'intérieur de l'appareil se trouve bien au-dessous de l'ouverture du hublot, si ce n'est pas le cas vider l'eau en excès à travers le tuyau de vidange dans un seau comme illustré voir figure.



3. démonter le panneau situé à l'avant du lave-linge à l'aide d'un tournevis (voir figure).



4. se servir de la languette indiquée, tirer vers soi jusqu'à ce que le tirant en plastique se dégage de son cran d'arrêt; tirer ensuite vers le bas et ouvrir l'hublot en même temps.

5. remonter le panneau en veillant à bien enfiler les crochets dans les fentes prévues avant de le pousser contre l'appareil.

# Entretien et soin

FR

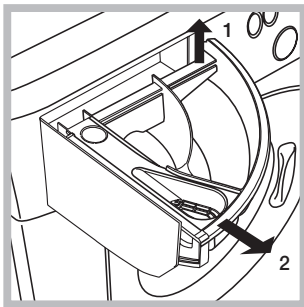
## Coupage de l'arrivée d'eau et du courant

- Fermer le robinet de l'eau après chaque lavage. Cela réduit l'usure de l'installation hydraulique du lave-linge et évite tout danger de fuites.
- Débrancher la fiche de la prise de courant lors de tout nettoyage du lave-linge et pendant tous les travaux d'entretien.

## Nettoyage du lave-linge

Pour nettoyer l'extérieur et les parties en caoutchouc, utiliser un chiffon imbibé d'eau tiède et de savon. N'utiliser ni solvants ni abrasifs.

## Nettoyage du tiroir à produits lessiviels.



Soulever le tiroir et le tirer vers soi pour le sortir de son logement (voir figure). Le laver à l'eau courante; effectuer cette opération assez souvent.

## Entretien du hublot et du tambour

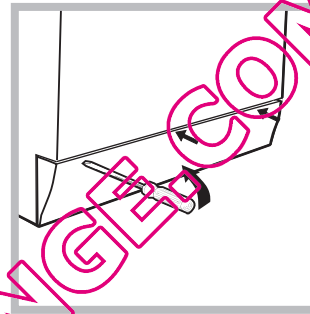
- Il faut toujours laisser le hublot entrouvert pour éviter la formation de mauvaise odeurs.

## Nettoyage de la pompe

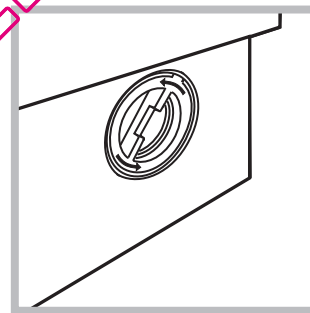
Le lave-linge est équipé d'une pompe autonettoyante qui n'exige aucune opération d'entretien. Il peut toutefois arriver que de menus objets (pièces de monnaie, boutons) tombent dans la préchambre qui protège la pompe, placée en bas de cette dernière.

! S'assurer que le cycle de lavage est bien terminé et débrancher la fiche.

Pour accéder à cette préchambre:



1. démonter le panneau situé à l'avant du lave-linge à l'aide d'un tournevis (voir figure);



2. dévisser le couvercle en le tournant dans le sens inverse des aiguilles d'une montre (voir figure); il est normal qu'un peu d'eau s'écoule;

3. nettoyer soigneusement l'intérieur;
4. revisser le couvercle;
5. remonter le panneau en veillant à bien enfiler les crochets dans les fentes prévues avant de le pousser contre l'appareil.

## Contrôle du tuyau d'arrivée de l'eau

Contrôler le tuyau d'alimentation au moins une fois par an. Procéder à son remplacement en cas de craquements et de fissures: car les fortes pressions subies pendant le lavage pourraient provoquer des cassures.

! N'utiliser que des tuyaux neufs.

# Anomalies et remèdes

Il peut arriver que le lave-linge ne fonctionne pas bien. Avant d'appeler le Service de dépannage (voir "Assistance"), contrôler s'il ne s'agit pas par hasard d'un problème facile à résoudre à l'aide de la liste suivante.

## Anomalies:

## Causes / Solutions possibles:

### Le lave-linge ne s'allume pas.

- La fiche n'est pas branchée dans la prise de courant ou mal branchée.
- Il y a une panne de courant.

### Le cycle de lavage ne démarre pas.

- Le hublot n'est pas bien fermé.
- La touche ON/OFF n'a pas été enfoncée.
- La touche MARCHE/PAUSE n'a pas été enfoncée.
- Le robinet de l'eau n'est pas ouvert.
- Un départ différé a été sélectionné (voir "Personnalisations").

### Il n'y a pas d'arrivée d'eau (le voyant de la première phase de lavage clignote rapidement).

- Le tuyau d'arrivée de l'eau n'est pas raccordé au robinet.
- Le tuyau est plié.
- Le robinet de l'eau n'est pas ouvert.
- Il y a une coupure d'eau.
- La pression n'est pas suffisante.
- La touche MARCHE/PAUSE n'a pas été enfoncée.

### Le lave-linge prend l'eau et vidange continuellement.

- Le tuyau de vidange n'est pas installé à une distance du sol comprise entre 65 et 100 cm (voir "Installation").
- L'extrémité du tuyau de vidange est plongée dans l'eau (voir "Installation").
- L'évacuation murale n'a pas d'évent.

Si après ces vérifications, le problème persiste, fermer le robinet de l'eau, éteindre la machine et appeler le service Assistance. Si l'appartement est situé en étage dans un immeuble, il peut y avoir des phénomènes de siphonnage qui font que le lave-linge prend et évacue l'eau continuellement. Pour supprimer cet inconvénient, on trouve dans le commerce des soupapes spéciales anti-siphonnage.

### Le lave-linge ne vidange pas et n'essore pas.

- Le programme ne prévoit pas de vidange: pour certains programmes, il faut la faire partir manuellement.
- La fonction REPASSAGE FACILE est activée: pour compléter le programme, appuyer sur la touche MARCHE/PAUSE ("Personnalisations").
- Le tuyau de vidange est plié (voir "Installation").
- La conduite d'évacuation est bouchée.

### Le lave-linge vibre beaucoup pendant l'essorage.

- Le tambour n'a pas été débloqué comme il faut lors de l'installation du lave-linge (voir "Installation").
- Le lave-linge n'est pas posé à plat (voir "Installation").
- Le lave-linge est coincé entre des meubles et le mur (voir "Installation").

### Le lave-linge a des fuites.

- Le tuyau d'arrivée de l'eau n'est pas bien vissé (voir "Installation").
- Le tiroir à produits lessiviels est bouché (pour le nettoyer voir "Entretien et soin").
- Le tuyau de vidange n'est pas bien fixé (voir "Installation").

### Le voyant MARCHE/PAUSE (orange) ainsi que les voyants des fonctions clignotent rapidement.

- Eteindre l'appareil et débrancher la fiche de la prise de courant, attendre 1 minute environ avant de rallumer.  
Si l'anomalie persiste, appeler le service d'assistance.

### Il y a un excès de mousse.

- Le produit de lavage utilisé n'est pas une lessive spéciale machine (il faut qu'il y ait l'inscription "pour lave-linge", "main et machine", ou autre semblable).
- La quantité utilisée est excessive.

# Assistance

---

FR

## Avant d'appeler le service après-vente:

- Vérifier si on ne peut pas résoudre l'anomalie par ses propres moyens (voir "Anomalies et Remèdes");
- Remettre le programme en marche pour contrôler si l'inconvénient a disparu;
- Autrement, contacter le Centre d'Assistance technique agréé au numéro de téléphone indiqué sur le certificat de garantie.

! Ne jamais s'adresser à des techniciens non agréés.

## Communiquer:

- le type de panne;
- le modèle de l'appareil (Mod.);
- son numéro de série (S/N).

Ces informations se trouvent sur la plaque signalétique apposée à l'arrière du lave-linge et à l'avant quand on ouvre la porte hublot.

QUELLAVELINGE.COM



ES

Español

ECO8F 1292

### Sumario

#### Instalación, 26-27

Desembalaje y nivelación  
Conexiones hidráulicas y eléctricas  
Primer ciclo de lavado  
Datos técnicos

#### Descripción de la lavadora y comienzo de un programa, 28-29

Panel de control  
Pilotos  
Poner en marcha un programa

#### Programas, 30

Tabla de programas

#### Personalizaciones, 31

Seleccionar la temperatura  
Seleccionar el centrifugado  
Funciones

#### Detergentes y ropa, 32

Contenedor de detergentes  
Ciclo de blanqueo  
Preparar la ropa  
Prendas especiales  
Sistema de equilibrado de la carga

#### Precauciones y consejos, 33

Seguridad general  
Eliminaciones  
Apertura manual de la puerta

#### Mantenimiento y cuidados, 34

Interrumpir el agua y la corriente eléctrica  
Limpiar la lavadora  
Limpiar el contenedor de detergentes  
Cuidar la puerta y el cesto  
Limpiar la bomba  
Controlar el tubo de alimentación de agua

#### Anomalías y soluciones, 35

#### Asistencia, 36

ES

QUELLAVELTINCE.COM

# Instalación

ES

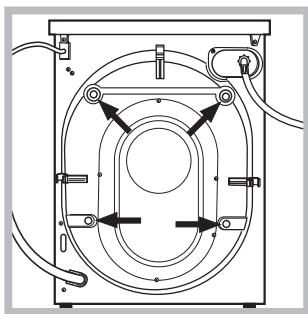
! Es importante conservar este manual para poder consultarlo en cualquier momento. En caso de venta, de cesión o de traslado, verifique que permanezca junto con la lavadora para informar al nuevo propietario sobre el funcionamiento y brindar las correspondientes advertencias.

! Lea atentamente las instrucciones: ellas contienen importante información sobre la instalación, el uso y la seguridad.

## Desembalaje y nivelación

### Desembalaje

1. Desembale la lavadora.
2. Controle que la lavadora no haya sufrido daños durante el transporte. Si estuviera dañada no la conecte y llame al revendedor.



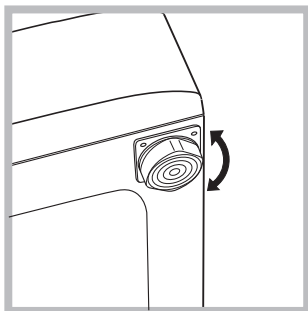
3. Quite los 4 tornillos de protección para el transporte y la arandela de goma con el correspondiente distanciador ubicados en la parte posterior (ver la figura).

4. Cubra los orificios con los tapones de plástico suministrados con el aparato.
5. Conserve todas las piezas: cuando la lavadora deba ser transportada nuevamente, deberán volver a colocarse.

! Los embalajes no son juguetes para los niños.

### Nivelación

1. Instale la lavadora sobre un piso plano y rígido, sin apoyarla en las paredes, muebles ni en ningún otro aparato.



2. Si el piso no está perfectamente horizontal, compense las irregularidades desenroscando o enroscando las patas delanteras (ver la figura); el ángulo de inclinación medido sobre la superficie de trabajo, no debe superar los 2°.

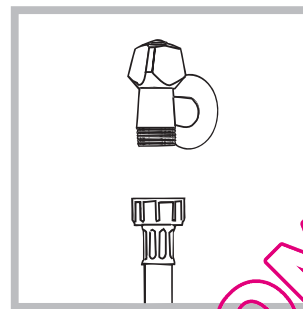
Una cuidadosa nivelación brinda estabilidad a la máquina y evita vibraciones, ruidos y desplazamientos durante el funcionamiento.

Cuando se instala sobre moquetas o alfombras, regule

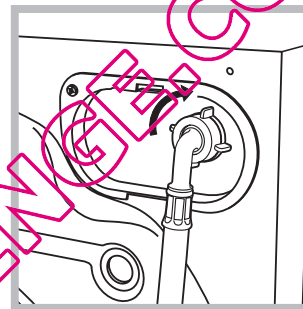
los pies para conservar debajo de la lavadora un espacio suficiente para la ventilación.

## Conexiones hidráulicas y eléctricas

### Conexión del tubo de alimentación de agua



1. Conectar el tubo de tubo enroscándolo a un grifo de agua fría con la boca rosca de 3/4 gas (ver la figura). Antes de conectarlo, haga correr el agua hasta que esté límpida.



2. Conecte el tubo de alimentación a la lavadora enroscándolo en la toma de agua correspondiente ubicada en la parte posterior derecha (arriba) (ver la figura).

3. Controle que en el tubo no hayan pliegues ni estrangulaciones.

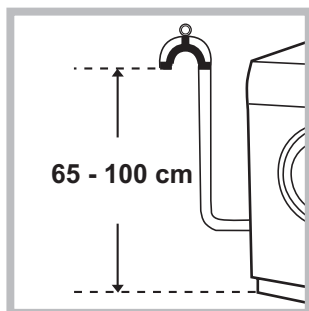
! La presión de agua del grifo debe estar comprendida dentro de los valores contenidos en la tabla de Datos técnicos (ver la página correspondiente).

! Si la longitud del tubo de alimentación no es la suficiente, diríjase a un negocio especializado o a un técnico autorizado.

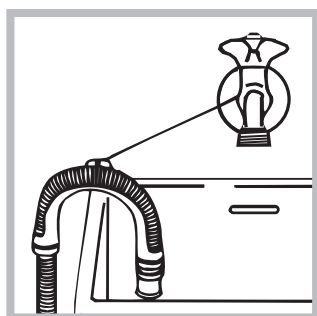
! No utilice nunca tubos ya usados.

! Utilice los suministrados con la máquina.

### Conexión del tubo de descarga



Conecte el tubo de descarga, sin plegarlo, a una tubería de descarga o a una descarga de pared colocadas a una altura del piso entre 65 y 100 cm;



o apóyelo en el borde de un lavamanos o de una bañera, uniendo la guía suministrada con el aparato, al grifo (ver la figura). El extremo libre del tubo de descarga no debe permanecer sumergido en el agua.

! No se aconseja utilizar tubos de prolongación, si fuera indispensable hacerlo, la prolongación debe tener el mismo diámetro del tubo original y no superar los 150 cm.

### Conexión eléctrica

Antes de enchufar el aparato, verifique que:

- la toma tenga la conexión a tierra y haya sido hecha según las normas legales;
- la toma sea capaz de soportar la carga máxima de potencia de la máquina indicada en la tabla de Datos técnicos (ver al costado);
- la tensión de alimentación esté comprendida dentro de los valores indicados en la tabla de Datos técnicos (ver al costado);
- la toma sea compatible con el enchufe de la lavadora. Si no es así, sustituya la toma o el enchufe.

! La lavadora no debe ser instalada al aire libre, ni siquiera si el lugar está reparado, ya que es muy peligroso dejarla expuesta a la lluvia o a las tormentas.

! Una vez instalada la lavadora, la toma de corriente debe ser fácilmente accesible.

! No utilice prolongaciones ni conexiones múltiples.

! El cable no debe estar plegado ni sufrir compresiones.

! El cable de alimentación debe ser sustituido sólo por técnicos autorizados.

¡Atención! La empresa fabricante declina toda responsabilidad en caso de que estas normas no sean respetadas.

### Primer ciclo de lavado

Después de la instalación y antes del uso, realice un ciclo de lavado con detergente y sin ropa, seleccionando el programa 2.

#### Datos técnicos

<b>Modelo</b>	ECO8F 1292
<b>Dimensiones</b>	ancho 59,5 cm. altura 85 cm. profundidad 60 cm.
<b>Capacidad</b>	de 1 a 8 kg.
<b>Conexiones eléctricas</b>	ver la placa de características técnicas aplicada en la máquina
<b>Conexiones hidricas</b>	presión máxima 1 MPa (10 bar) presión mínima 0,05 MPa (0,5 bar) capacidad del cesto 62 litros
<b>Velocidad de centrifugado</b>	máxima 1200 r.p.m.
<b>Programas de control según la norma EN 60456</b>	programa 6; temperatura 60°C; efectuado con 8 kg. de carga.



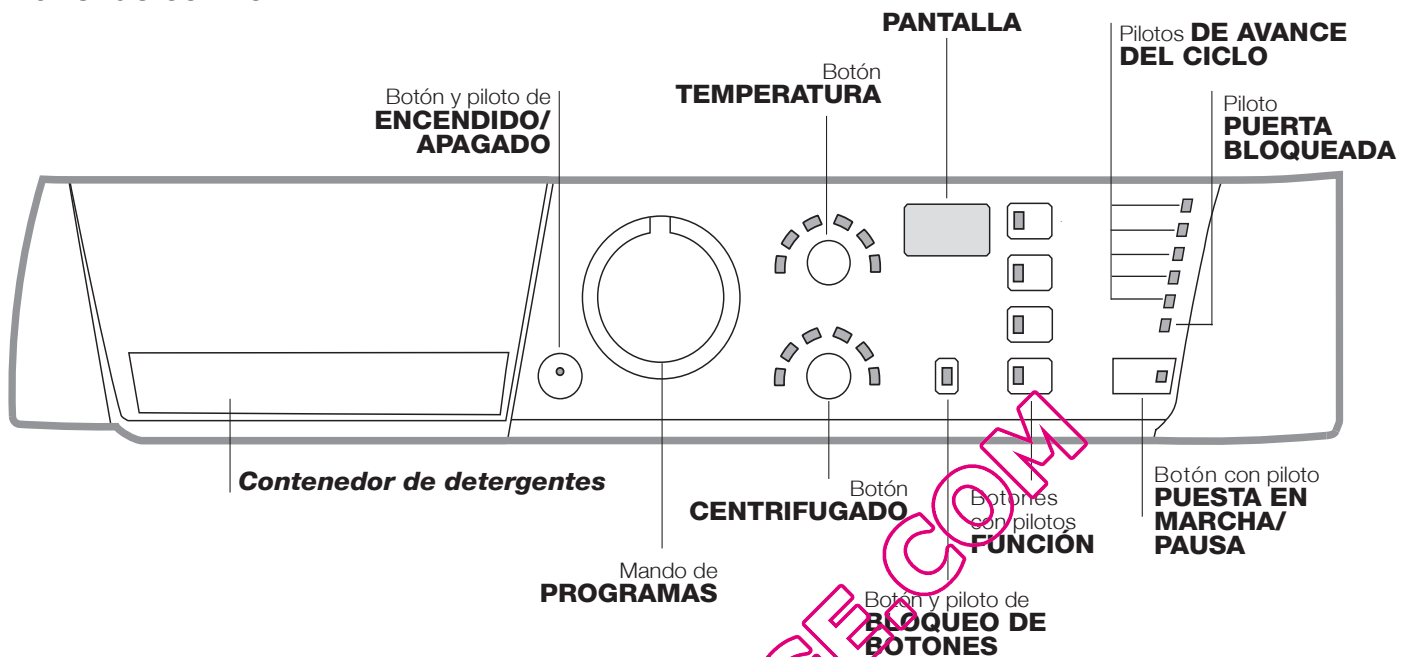
Esta máquina cumple con lo establecido por las siguientes Directivas de la Comunidad:

- 2004/108/CE (Compatibilidad Electromagnética)
- 2002/96/CE
- 2006/95/CE (Baja Tensión)

# Descripción de la lavadora y comienzo de un programa

ES

## Panel de control



**Contenedor de detergentes:** para cargar detergentes y aditivos (ver "Detergentes y ropa").

Botón y piloto de **ENCENDIDO/APAGADO:** para encender y apagar la máquina. El piloto iluminado indica que la máquina está encendida.

Mando de **PROGRAMAS:** para elegir los programas. Durante el funcionamiento del programa el mando no se mueve.

Botón **CENTRIFUGADO:** para seleccionar el centrifugado o excluirlo (ver "Personalizaciones").

Botón **TEMPERATURA:** para seleccionar la temperatura o el lavado en frío (ver "Personalizaciones").

**PANTALLA:** para visualizar el tiempo residual del ciclo de lavado seleccionado y, si se ha fijado un comienzo retrasado, el tiempo que falta para que comience el lavado.

Botón y piloto de **BLOQUEO DE BOTONES:** para activar o desactivar el bloqueo del panel de mandos.

Botones con pilotos de **FUNCIÓN:** para seleccionar las funciones disponibles. El piloto correspondiente a la función seleccionada permanecerá encendido.

Pilotos **DE AVANCE DEL CICLO:** para seguir el estado de avance del programa de lavado. El piloto encendido indica la fase en curso.

Piloto **PUERTA BLOQUEADA:** para saber si la puerta se puede abrir (ver la página correspondiente).

Botón con piloto **PUESTA EN MARCHA/PAUSA:** se utiliza para poner en marcha los programas o interrumpirlos momentáneamente.

**Nota:** Presione este botón para poner en pausa el lavado en curso, el piloto correspondiente centelleará con color anaranjado mientras que el de la fase en curso permanecerá encendido en forma fija. Si el piloto **PUERTA BLOQUEADA** está apagado, se podrá abrir la puerta. Para que el lavado se reanude a partir del momento en el cual fue interrumpido, presione nuevamente este botón.

### Modalidad de stand by

Esta lavasecadora está en conformidad con las nuevas normativas vinculadas al ahorro energético. Está dotada de un sistema de auto-apagado (stand by) que, en caso de no funcionamiento, se activa pasados aproximadamente 30 minutos. Presionar brevemente el botón **ENCENDIDO/APAGADO** y esperar que la máquina se active.

## Pilotos

Los pilotos suministran información importante. He aquí lo que nos dicen:

### Pilotos fase en curso

Girando el mando PROGRAMAS, los pilotos se iluminarán indicando las fases que la máquina realizará según el programa elegido.

Una vez seleccionado y puesto en marcha el ciclo de lavado deseado, las luces testigo se encenderán progresivamente para indicar su estado de avance:

Lavado	
Aclarado	
Centrifugado	
Descarga	
Fin del Lavado	<b>END</b> 

### Botones de función y pilotos correspondientes

Seleccionando una función, el piloto correspondiente se iluminará.

Si la función seleccionada no es compatible con el programa elegido, el piloto correspondiente centelleará, se emitirá una señal sonora y la función no se activará. Cuando se seleccione una función incompatible con otra seleccionada precedentemente, permanecerá activa sólo la última elección realizada.

### Pilotos de temperatura

Seleccionando un valor de temperatura, el piloto correspondiente se iluminará.



### Pilotos de centrifugado

Seleccionando un valor de centrifugado, el piloto correspondiente se iluminará.



### Piloto de bloqueo de botones

Para **“activar”** el bloqueo del panel de control, mantenga presionado el botón durante 2 segundos aproximadamente. El piloto encendido indica que el panel de control está bloqueado. De este modo, se evitan modificaciones accidentales de los programas, sobre todo si en la casa hay niños.

Para **“desactivar”** el bloqueo del panel de control, mantenga presionado el botón durante 2 segundos aproximadamente.

### Piloto puerta bloqueada:

El piloto encendido indica que la puerta está bloqueada para impedir aperturas accidentales; antes de abrir la puerta es necesario esperar que dicho piloto se apague, de este modo se evitarán daños.

**Nota:** si la función “Programador inicio programa” está activada, la puerta no se puede abrir, para abrirla se debe poner en pausa la máquina presionando el botón PUESTA EN MARCHA/PAUSA.

**!** El centelleo rápido del piloto PUESTA EN MARCHA/PAUSA (anaranjado) simultáneamente con el de las funciones indica una anomalía (ver “Anomalías y soluciones”).

## Poner en marcha un programa

1. Encienda la lavadora pulsando el botón ENCENDIDO/APAGADO. Todos los pilotos se encenderán durante algunos segundos, luego permanecerán encendidos sólo los pilotos correspondientes a las configuraciones para el programa seleccionado y centelleará el piloto PUESTA EN MARCHA/PAUSA.
2. Cargue la ropa y cierre la puerta.
3. Seleccione el programa deseado con el mando de PROGRAMAS.
4. Fije la temperatura de lavado (ver “Personalizaciones”).
5. Fije la velocidad de centrifugado (ver “Personalizaciones”).
6. Vierta detergente y aditivos (ver “Detergentes y ropa”).
7. Seleccione las funciones deseadas.
8. Ponga en marcha el programa presionando el botón PUESTA EN MARCHA/PAUSA y el piloto correspondiente permanecerá encendido, fijo y de color verde. Para anular el ciclo seleccionado ponga en pausa la máquina presionando el botón PUESTA EN MARCHA/PAUSA y elija un nuevo ciclo.
9. Al final del programa se iluminará el piloto **END**. El piloto PUERTA BLOQUEADA se apagará indicando que la puerta se puede abrir. Extraiga la ropa y deje la puerta semicerrada para permitir que el cesto se seque. Apague la lavadora presionando el botón ENCENDIDO/APAGADO.

# Programas

## Tabla de programas

Programas	Descripción del Programa	Temp. max. (°C)	Velocidad máx. (r.p.m.)	Detergentes				Carga máx. (Kg.)	Duración del ciclo	
				Prelavado	Blanqueador	Lavado	Suavizante			
<b>Diario (programas para todos los días)</b>										
1	<b>Prelavado Algodón 90°C:</b> blancos sumamente sucios.	90°	1200	●	-	●	●	8	Se puede controlar la duración de los programas de lavado en la pantalla.	
2	<b>Algodón:</b> blancos y colores resistentes muy sucios.	60°	1200	-	●	●	●	8		
2	<b>Algodón (2):</b> blancos y colores delicados poco sucios.	40°	1200	-	●	●	●	8		
3	<b>Algodón de color (3):</b> blancos poco sucios y colores delicados.	40°	1200	-	●	●	●	8		
4	<b>Sintético:</b> colores resistentes muy sucios.	60°	800	-	-	●	●	4		
4	<b>Sintético:</b> colores resistentes poco sucios.	40°	800	-	-	●	●	4		
5	<b>Mix 15':</b> para refrescar rápidamente prendas poco sucias (no se aconseja utilizarlo para lana, seda y prendas para lavar a mano).	30	800	-	-	●	●	1,5		
<b>Programas Especiales</b>										
6	<b>Ciclo Desinfectante:</b> ropa blanca muy sucia.	90°	1200	-	●	●	●	8		
6	<b>Ciclo Desinfectante (1):</b> blancos y colores resistentes muy sucios.	60°	1200	-	-	●	●	8		
7	<b>Ciclo Buenas Noches:</b> colores delicados poco sucios.	40°	800	-	-	●	●	4		
8	<b>Camisas</b>	40°	600	-	-	●	●	2		
9	<b>Seda/Cortinas:</b> para prendas de seda, viscosa, lencería.	30°	0	-	-	●	●	2		
10	<b>Lana:</b> para lana, cachemira, etc.	40°	600	-	-	●	●	2		
<b>Programas Eco</b>										
11	Algodón	agua fría	1200	-	-	●	●	8		
12	Sintéticos	agua fría	800	-	-	●	●	3		
13	Rápido 30'	agua fría	800	-	-	●	●	3		
<b>Programas Parciales</b>										
A	Aclarado Algodón	-	1200	-	-	-	●	8		
B	Centrifugado Rápido	-	1200	-	-	-	-	8		
C	Descarga	-	0	-	-	-	-	8		

Los datos contenidos en la tabla tienen un valor indicativo.

Para todos los Test Institutes:

- 1) Programa de control según la norma EN 60456: seleccione el programa 6 con una temperatura de 60°C.
- 2) Programa algodón largo: seleccione el programa 2 con una temperatura de 40°C.
- 3) Programa algodón corto: seleccione el programa 3 con una temperatura de 40°C.

### Programas particulares




**Mix 15'** (programa 5) fue estudiado para lavar prendas ligeramente sucias y en poco tiempo: dura sólo 15 minutos y de esa manera permite ahorrar energía y tiempo. Seleccionando el programa (5 a 30°C) es posible lavar conjuntamente tejidos de distinto tipo (excluidas lana y seda), con una carga máxima de 1,5 kg.

**Ciclo Desinfectante** (programa 6). Un programa higienizante con elevadas temperaturas, prevé el uso del blanqueador con temperaturas mayores que 60°C. Para blanquear vierta el blanqueador, los detergentes y los aditivos en los compartimentos correspondientes (ver el párrafo "Contenedor de detergentes").

**Ciclo Buenas noches** (programa 7). Es un ciclo silencioso que puede trabajar de noche cuando la tarifa energética es menor. El programa ha sido estudiado para prendas sintéticas y de algodón. Al final del ciclo, la máquina se detiene con el agua en la cuba; para realizar el centrifugado y la descarga presione el botón PUESTA EN MARCHA/PAUSA, de lo contrario, después de 8 horas, la máquina los realizará automáticamente.

### Programas Eco

Los programas Eco ofrecen buenos rendimientos en los lavados a bajas temperaturas permitiendo un menor uso de energía eléctrica con un beneficio para el medio ambiente y un ahorro económico.

Los programas Eco (Algodón , Sintéticos  y Rápido 30' ) han sido creados para distintos tipos de tejido y para prendas poco sucias.

Para garantizar un resultado óptimo, recomendamos el uso de un detergente líquido. Se aconseja además tratar previamente los puños, cuellos y manchas.

# Personalizaciones

ES

## Seleccionar la temperatura

Presionando el botón TEMPERATURA se selecciona la temperatura de lavado (ver la *Tabla de programas*).

La temperatura se puede disminuir hasta el lavado en frío (❄).

La máquina impedirá automáticamente seleccionar una temperatura mayor que la máxima prevista para cada programa.

## Seleccionar el centrifugado

Presionando el botón CENTRIFUGADO se selecciona la velocidad de centrifugado del programa seleccionado.

Las velocidades máximas previstas para los programas son:

Programas	Velocidad máxima
Algodón	1200 r.p.m.
Sintéticos	800 r.p.m.
Lana	600 r.p.m.
Seda	sólo descarga

Se puede disminuir la velocidad de centrifugado o excluirlo seleccionando el símbolo (🌀).

La máquina impedirá automáticamente efectuar un centrifugado a una velocidad mayor que la máxima prevista para cada programa.

## Funciones

Las distintas funciones de lavado previstas por la lavadora permiten obtener la limpieza y el blanco deseados.

Para activar las funciones:

1. presione el botón correspondiente a la función deseada;
2. el encendido del piloto correspondiente indica que la función está activa.

Nota: El centelleo rápido del piloto indica que la función correspondiente no se puede seleccionar para el programa elegido.

### Programador inicio programa

Para seleccionar el comienzo retrasado del programa elegido, presione varias veces el botón hasta visualizar el retraso deseado (de 1 a 24 hs.)

Para desactivar la función, presione el botón hasta visualizar el mensaje OFF.

**Nota:** Una vez presionado el botón PUESTA EN MARCHA/PAUSA, se puede modificar el valor del retraso sólo disminuyéndolo.

! Se puede utilizar en todos los programas.

### Super wash

Gracias al uso de una mayor cantidad de agua en la fase inicial del ciclo y al empleo de mayor tiempo, dicha función garantiza un lavado con óptimos resultados.

! No se puede activar con los programas 5, 6, 9, 10, 11, 12, 13, A, B, C.

### Aclarado extra

Al elegir esta función aumentará la eficacia del aclarado y se asegurará la máxima eliminación del detergente. Es útil para pieles particularmente sensibles.

! No se puede activar con los programas 5, 13, B, C.

### Plancha fácil

Cuando se selecciona esta función, el lavado y el centrifugado se modificarán oportunamente para disminuir la formación de arrugas. Al finalizar el ciclo, la lavadora realizará lentas rotaciones del cesto; el piloto de la función PLANCHA FÁCIL y el de PUESTA EN MARCHA/PAUSA centellearán (anaranjado) y el de la fase **END** permanecerá encendido en forma fija. Para finalizar el ciclo se deberá presionar el botón PUESTA EN MARCHA/PAUSA o el botón PLANCHA FÁCIL.

En el programa **Seda** la máquina terminará el ciclo dejando la ropa en remojo, el piloto de la función PLANCHA FÁCIL y el de PUESTA EN MARCHA/PAUSA centellearán (anaranjado) y el de la fase ACLARADO permanecerá encendido en forma fija. Para descargar el agua y poder sacar la ropa, es necesario presionar el botón PUESTA EN MARCHA/PAUSA o el botón PLANCHA FÁCIL.

! No se puede activar con los programas 5, 6, 7, 10, 11, 12, 13, B, C.

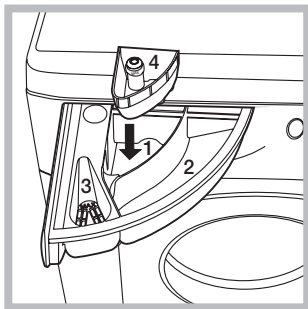
# Detergentes y ropa

ES

## Contenedor de detergentes

El buen resultado del lavado depende también de la correcta dosificación del detergente: si se excede la cantidad, no se lava de manera más eficaz, sino que se contribuye a encostrar las partes internas de la lavadora y a contaminar el medio ambiente.

**!** No use detergentes para el lavado a mano porque producen demasiada espuma.



Extraiga el contenedor de detergentes e introduzca el detergente o el aditivo de la siguiente manera:

### **cubeta 1: Detergente para prelavado (en polvo)**

Antes de verter el detergente, verifique que no esté colocada la cubeta adicional 4.

### **cubeta 2: Detergente para lavado (en polvo o líquido)**

El detergente líquido se debe verter sólo antes de la puesta en marcha.

### **cubeta 3: Aditivos (suavizante, etc.)**

El suavizante no se debe volcar fuera de la rejilla.

### **cubeta adicional 4: Blanqueador**

## Ciclo de blanqueo

El blanqueo se puede realizar sólo con los programas **2, 3, 6**. Vierta el blanqueador en la cubeta adicional **4**, el detergente y el suavizante en las correspondientes cubetas y luego seleccione uno de los programas indicados.

Es adecuado sólo para prendas de algodón muy sucias.

## Preparar la ropa

- Subdivida la ropa según:
  - el tipo de tejido / el símbolo en la etiqueta.
  - los colores: separe las prendas de color y las blancas.
- Vacíe los bolsillos y controle los botones.
- No supere los valores indicados, referidos al peso de la ropa seca:
  - Tejidos resistentes: max 8 kg.
  - Tejidos sintéticos: max 4 kg.
  - Tejidos delicados: max 2 kg.
  - Lana: max 2 kg.

## ¿Cuánto pesa la ropa?

- 1 sábana 400/500 g
- 1 funda 150/200 g
- 1 mantel 400/500 g
- 1 albornoz 900/1200 g
- 1 toalla 150/250 g

## Prendas especiales

**Camisas:** para lavar camisas de distintos tipos de telas y color, utilice el programa **8**. Garantiza su máximo cuidado minimizando la formación de arrugas.

**Seda:** utilice el programa correspondiente **9** para lavar todas las prendas de seda. Se aconseja el uso de un detergente específico para prendas delicadas.

**Cortinas:** pliéguelas y colóquelas dentro de una funda o de una bolsa de red. Utilice el programa **9**.

**Lana:** es la única lavadora que ha obtenido el prestigioso reconocimiento Woolmark Platinum Care (M.0508) otorgado por The Woolmark Company que certifica el lavado en lavadora de todas las prendas de lana, incluidas aquellas que contienen la etiqueta "sólo lavado a mano" . En consecuencia, con el programa **10** se puede utilizar la lavadora con total tranquilidad para lavar todas sus prendas de lana (máx. 2 kg) garantizando la obtención de los mejores resultados.

## Sistema de equilibrado de la carga

Antes de cada centrifugado, para evitar vibraciones excesivas y para distribuir la carga de modo uniforme, el cesto realiza rotaciones a una velocidad ligeramente superior a la del lavado. Si después de varios intentos, la carga todavía no está correctamente equilibrada, la máquina realiza el centrifugado a una velocidad inferior a la prevista. Cuando existe un excesivo desequilibrio, la lavadora realiza la distribución antes que el centrifugado. Para obtener una mejor distribución de la carga y su correcto equilibrado, se aconseja mezclar prendas grandes y pequeñas.



# Precauciones y consejos

! La lavadora fue proyectada y fabricada en conformidad con las normas internacionales de seguridad. Estas advertencias se suministran por razones de seguridad y deben ser leídas atentamente.

## Seguridad general

- El aparato no debe ser empleado por personas (niños incluidos) con capacidades físicas, sensoriales o mentales reducidas y con experiencias y conocimientos insuficientes, a menos que dicho uso no se realice bajo la supervisión o las instrucciones de una persona responsable de su seguridad. Los niños deben ser vigilados para asegurarse que no jueguen con el aparato.
- Este aparato ha sido fabricado para un uso de tipo doméstico exclusivamente.
- No toque la máquina con los pies desnudos ni con las manos o los pies mojados o húmedos.
- No desenchufe la máquina tirando el cable, sino tomando el enchufe.
- No abra el contenedor de detergentes mientras la máquina está en funcionamiento.
- No toque el agua de descarga porque puede alcanzar temperaturas elevadas.
- En ningún caso fuerce la puerta: podría dañarse el mecanismo de seguridad que la protege de aperturas accidentales.
- En caso de avería, no acceda nunca a los mecanismos internos para intentar una reparación.
- Controle siempre que los niños no se acerquen a la máquina cuando está en funcionamiento.
- Durante el lavado, la puerta tiende a calentarse.
- Si debe ser trasladada, deberán intervenir dos o más personas, procediendo con el máximo cuidado. La máquina no debe ser desplazada nunca por una sola persona ya que es muy pesada.
- Antes de introducir la ropa controle que el cesto esté vacío.

## Eliminaciones

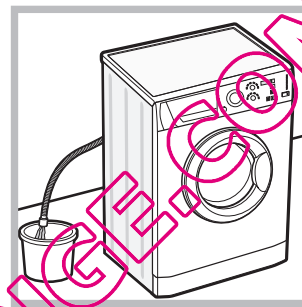
- Eliminación del material de embalaje: respete las normas locales, de ese modo, los embalajes podrán volver a ser utilizados.
- En base a la Norma europea 2002/96/CE de Residuos de aparatos Eléctricos y Electrónicos, los electrodomésticos viejos no pueden ser arrojados en los contenedores municipales habituales; tienen que ser recogidos selectivamente para optimizar la recuperación y reciclado de los componentes y materiales que los constituyen, y reducir el impacto en la salud humana y el medioambiente.

El símbolo del cubo de basura tachado se marca sobre todos los productos para recordar al consumidor la obligación de separarlos para la recogida selectiva.

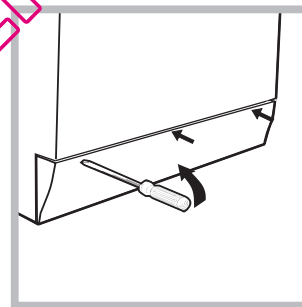
El consumidor debe contactar con la autoridad local o con el vendedor para informarse en relación a la correcta eliminación de su electrodoméstico viejo.

## Apertura manual de la puerta

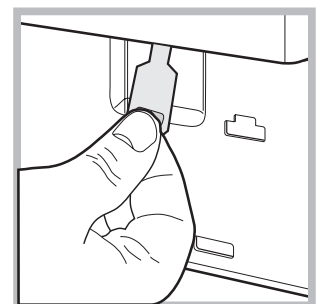
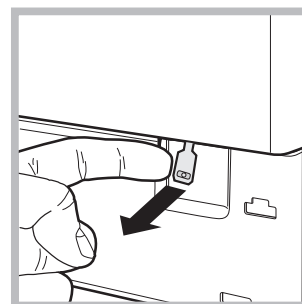
Si desea sacar la ropa de la lavadora y no es posible abrir la puerta debido a un corte de energía eléctrica, proceda del siguiente modo:



1. desenchufe la máquina.
2. verifique que el nivel de agua en el interior de la máquina sea inferior al hueco de la puerta; si no es así, extraiga el agua en exceso utilizando el tubo de descarga y recogiéndola en un balde como se indica en la figura.



3. quite el panel de cobertura delantero de la lavadora con la ayuda de un destornillador (ver la figura).



4. utilizando la lengüeta indicada en la figura, tire hacia fuera hasta liberar la varilla de plástico del retén; posteriormente tire hacia abajo y simultáneamente abra la puerta.

5. vuelva a montar el panel verificando, antes de empujarlo hacia la máquina, que los ganchos se hayan introducido en las correspondientes ranuras.

# Mantenimiento y cuidados

ES

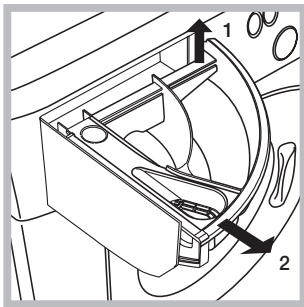
## Interrumpir el agua y la corriente eléctrica

- Cierre el grifo de agua después de cada lavado. De este modo se limita el desgaste de la instalación hidráulica de la lavadora y se elimina el peligro de pérdidas.
- Desenchufe la máquina cuando la debe limpiar y durante los trabajos de mantenimiento.

## Limpiar la lavadora

La parte externa y las partes de goma se pueden limpiar con un paño embebido en agua tibia y jabón. No use solventes ni productos abrasivos.

## Limpiar el contenedor de detergentes



Extraiga el contenedor levantándolo y tirándolo hacia fuera (*ver la figura*). Lávelo debajo del agua corriente, esta limpieza se debe realizar frecuentemente.

## Cuidar la puerta y el cesto

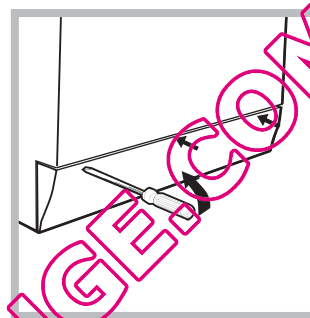
- Deje siempre semicerrada la puerta para evitar que se formen malos olores.

## Limpiar la bomba

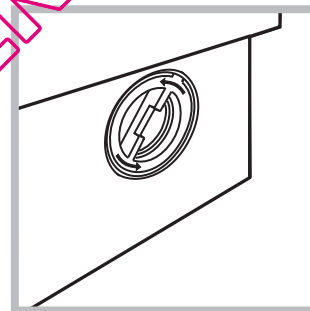
La lavadora posee una bomba autolimpiante que no necesita mantenimiento. Pero puede suceder que objetos pequeños (monedas, botones) caigan en la precámara que protege la bomba, situada en la parte inferior de la misma.

! Verifique que el ciclo de lavado haya terminado y desenchufe la máquina.

Para acceder a la precámara:



1. quite el panel que cubre la parte delantera de la lavadora con la ayuda de un destornillador (*ver la figura*);



2. desenrosque la tapa girándola en sentido antihorario (*ver la figura*): es normal que se vuelque un poco de agua;

3. limpie con cuidado el interior;
4. vuelva a enroscar la tapa;
5. vuelva a montar el panel verificando, antes de empujarlo hacia la máquina, que los ganchos se hayan introducido en las correspondientes ranuras.

## Controlar el tubo de alimentación de agua

Controle el tubo de alimentación al menos una vez al año. Si presenta grietas o rajaduras debe ser sustituido: durante los lavados, las fuertes presiones podrían provocar roturas imprevistas.

! No utilice nunca tubos ya usados.

# Anomalías y soluciones

ES

Puede suceder que la lavadora no funcione. Antes de llamar al Servicio de Asistencia Técnica (ver "Asistencia"), controle que no se trate de un problema de fácil solución utilizando la siguiente lista.

## Anomalías:

### La lavadora no se enciende.

## Posibles causas / Solución:

- El enchufe no está introducido en la toma de corriente, o no hace contacto.
- En la casa no hay corriente.

### El ciclo de lavado no comienza.

- La puerta no está correctamente cerrada.
- El botón ENCENDIDO/APAGADO no ha sido presionado.
- El botón PUESTA EN MARCHA/PAUSA no ha sido presionado.
- El grifo de agua no está abierto.
- Se fijó un retraso de la hora de puesta en marcha (ver "Personalizaciones").

### La lavadora no carga agua (centellea rápidamente el piloto de la primera fase de lavado).

- El tubo de alimentación de agua no está conectado al grifo.
- El tubo está plegado.
- El grifo de agua no está abierto.
- En la casa no hay agua.
- No hay suficiente presión.
- El botón PUESTA EN MARCHA/PAUSA no ha sido presionado.

### La lavadora carga y descarga agua continuamente.

- El tubo de descarga no está instalado entre los 65 y 100 cm. del suelo (ver "Instalación").
- El extremo del tubo de descarga está sumergido en el agua (ver "Instalación").
- La descarga de pared no posee un respiradero.

Si después de estas verificaciones, el problema no se resuelve, cierre el grifo de agua, apague la lavadora y llame a la Asistencia. Si la vivienda se encuentra en uno de los últimos pisos de un edificio, es posible que se verifiquen fenómenos de sifonaje, por ello la lavadora carga y descarga agua de modo continuo. Para eliminar este inconveniente se encuentran disponibles en el comercio válvulas especiales que permiten evitar el sifonaje.

### La lavadora no descarga o no centrifuga.

- El programa no prevé la descarga: con algunos programas es necesario ponerla en marcha manualmente.
- Se puede utilizar la función PLANCHA FÁCIL: para completar el programa, pulse el botón PUESTA EN MARCHA/PAUSA ("Personalizaciones").
- El tubo de descarga está plegado (ver "Instalación").
- El conducto de descarga está obstruido.

### La lavadora vibra mucho durante la centrifugación.

- El cesto, en el momento de la instalación, no fue desbloqueado correctamente (ver "Instalación").
- La máquina no está instalada en un lugar plano (ver "Instalación").
- Existe muy poco espacio entre la máquina, los muebles y la pared (ver "Instalación").

### La lavadora pierde agua.

- El tubo de alimentación de agua no está bien enroscado (ver "Instalación").
- El contenedor de detergentes está obstruido (para limpiarlo ver "Mantenimiento y cuidados").
- El tubo de descarga no está bien fijado (ver "Instalación").

### El piloto PUESTA EN MARCHA/PAUSA (anaranjado) y los pilotos de las funciones centellean rápidamente.

- Apague la máquina y desenchúfela, espere aproximadamente 1 minuto y luego vuelva a encenderla.  
Si la anomalía persiste, llame al Servicio de Asistencia Técnica.

### Se forma demasiada espuma.

- El detergente no es específico para la lavadora (debe contener algunas de las frases "para lavadora", "a mano o en lavadora" o similares).
- La dosificación fue excesiva.

# Asistencia

ES

## Antes de llamar al Servicio de Asistencia Técnica:

- Verifique si la anomalía la puede resolver Ud. solo (ver "Anomalías y soluciones");
- Vuelva a poner en marcha el programa para controlar si el inconveniente fue resuelto;
- Si no es así, llame al Servicio de Asistencia técnica autorizado, al número de teléfono indicado en el certificado de garantía.

! No recurra nunca a técnicos no autorizados.

## Comuníquese:

- el tipo de anomalía;
- el modelo de la máquina (Mod.);
- el número de serie (S/N).

Esta información se encuentra en la placa aplicada en la parte posterior de la lavadora y en la parte delantera abriendo la puerta.

La siguiente información es válida solo para España.

Para otros países de habla hispana consulte a su vendedor.

### Ampliación de garantía

Llame al **902.363.539** y le informaremos sobre el fantástico plan de ampliación de garantía hasta 5 años.

Consiga una cobertura total adicional de

- Piezas y componentes
- Mano de obra de los técnicos
- Desplazamiento a su domicilio de los técnicos

Y NO PAGUE AVERIAS NUNCA MAS

### Servicio de asistencia técnica (SAT)

Llame al **902.133.133** y nuestros técnicos intervendrán con rapidez y eficacia, devolviendo el electrodoméstico a sus condiciones óptimas de funcionamiento.

En el SAT encontrará recambios, accesorios y productos específicos para la limpieza y mantenimiento de su electrodoméstico a precios competitivos.

ESTAMOS A SU SERVICIO

NL

Nederlands

ECO8F 1292

### Inhoud

#### Installatie, 38-39

Uitpakken en waterpas zetten  
Hydraulische en elektrische aansluitingen  
Eerste wascyclus  
Technische gegevens

#### Beschrijving van de wasautomaat en starten van een programma, 40-41

Bedieningspaneel  
Controlelampjes  
Een programma starten

#### Programma's, 42

Programmatabel

#### Persoonlijke instellingen, 43

Instellen van de temperatuur  
Instellen van de centrifuge  
Functies

#### Wasmiddelen en wasgoed, 44

Wasmiddelbakje  
Bleekcyclus  
Voorbereiden van het wasgoed  
Bijzondere kledingstukken  
Balanceersysteem van de lading

#### Voorzorgsmaatregelen en advies, 45

Algemene veiligheid  
Afvalverwijdering  
Handmatige opening van de deur

#### Onderhoud en verzorging, 46

Afsluiten van water en stroom  
Reinigen van de wasautomaat  
Reinigen van het wasmiddelbakje  
Onderhoud van deur en trommel  
Reinigen van de pomp  
Controleren van de buis van de watertoevoer

#### Storingen en oplossingen, 47

#### Service, 48

NL

QUELLAVELT.COM

# Installatie

NL

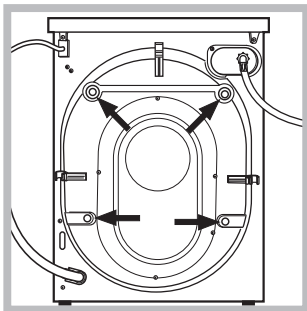
! Het is belangrijk deze handleiding te bewaren voor latere raadpleging. In het geval u het apparaat verkoopt, of u verhuist, moet het boekje bij de wasautomaat blijven zodat de nieuwe gebruiker de functies en betreffende raadgevingen kan doornemen.

! Lees de instructies aandachtig door: u vindt er belangrijke informatie betreffende installatie, gebruik en veiligheid.

## Uitpakken en waterpas zetten

### Uitpakken

1. De wasautomaat uitpakken.
2. Controleer of de wasautomaat geen schade heeft geleden gedurende het vervoer. Indien dit wel het geval is moet hij niet worden aangesloten en moet u contact opnemen met de handelaar.



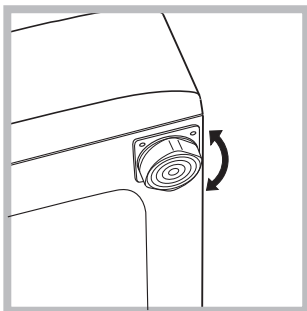
3. Verwijder de 4 schroeven die het apparaat beschermen tijdens het vervoer en de rubberen ring met bijbehorende afstandslider die zich aan de achterkant bevinden (zie afbeelding).

4. Sluit de openingen af met de bijgeleverde plastic doppen.
5. Bewaar alle onderdelen: mocht de wasautomaat ooit worden vervoerd, dan moeten deze weer worden aangebracht.

! Het verpakkingsmateriaal is geen speelgoed voor kinderen.

### Waterpas zetten

1. Installeer de wasautomaat op een rechte en stevige vloer en laat hem niet steunen tegen een muur, meubel of dergelijke.

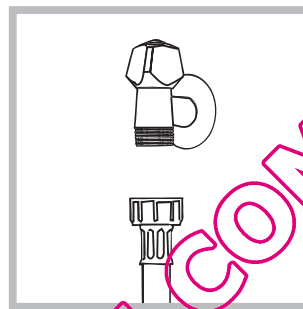


2. Als de vloer niet volledig horizontaal is kunt u de onregelmatigheid opheffen door de stelvoetjes aan de voorkant losser of vaster te schroeven (zie afbeelding); de inclinatiehoek, gemeten ten opzichte van het werkvlak, mag de 2° niet overschrijden.

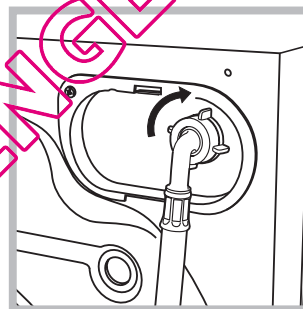
Een correcte nivellering geeft de machine stabiliteit en voorkomt trillingen, lawaai en het zich verplaatsen van de automaat tijdens de werking. In het geval van vloerbedekking of een tapijt regelt u de stelvoetjes zodanig dat onder de wasmachine genoeg plaats is voor ventilatie.

## Hydraulische en elektrische aansluitingen

### Aansluiting van de watertoevoerbuis



1. Sluit de toevoerbuis aan op de koudwaterkraan met een mondstuk met schroefdraad van 3/4 gas (zie afbeelding). Voordat u de wasautomaat aansluit moet u het water laten lopen totdat het helder is.



2. Verbind de watertoevoerbuis aan de wasautomaat door hem op de betreffende watertoevoer te schroeven, rechtsboven aan de achterkant (zie afbeelding).

3. Let erop dat er geen knellingen of kronkels in de buis zijn.

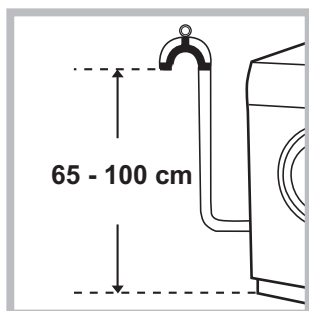
! De waterdruk van de kraan moet zich binnen de waarden van de tabel Technische Gegevens bevinden (zie bladzijde hiernaast).

! Als de toevoerbuis niet lang genoeg is moet u zich wenden tot een gespecialiseerde winkel of een bevoegde installateur.

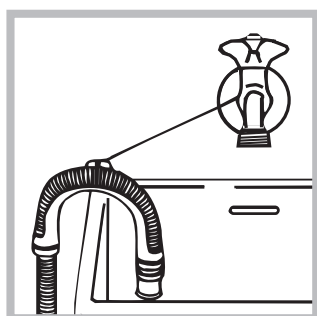
! Gebruik nooit tweedehands buizen.

! Gebruik de buizen die bij het apparaat worden geleverd.

## Aansluiting van de afvoerbuis



Verbind de buis, zonder hem te buigen, aan een afvoerleiding of aan een afvoer in de muur tussen de 65 en 100 cm van de grond



af of hang hem aan de rand van een wasbak of badkuip, en bind de bijgeleverde steun aan de kraan (zie afbeelding). Het uiteinde van de afvoerslang mag niet onder water hangen.

! Gebruik nooit verlengstukken voor de buis; indien dit niet te vermijden is moet het verlengstuk dezelfde doorsnede hebben als de oorspronkelijke buis en mag hij niet langer zijn dan 150 cm.

## Elektrische aansluiting

Voordat u de stekker in het stopcontact steekt moet u zich ervan verzekeren dat:

- het stopcontact geaard is en voldoet aan de geldende normen;
- het stopcontact het maximum vermogen van de wasautomaat kan dragen, zoals aangegeven in de tabel Technische Gegevens (zie hiernaast);
- de spanning zich bevindt tussen de waarden die zijn aangegeven in de tabel Technische Gegevens (zie hiernaast);
- de contactdoos geschikt is voor de stekker van de wasautomaat. Indien dit niet zo is moet de stekker of het stopcontact vervangen worden.

! De wasautomaat mag niet buitenshuis worden geïnstalleerd, ook niet op een beschutte plaats, aangezien het gevaarlijk is hem aan regen en onweer bloot te stellen.

! Als de wasautomaat is geïnstalleerd moet het stopcontact gemakkelijk te bereiken zijn.

! Gebruik geen verlengsnoeren of dubbelstekkers.

! Het snoer mag niet gebogen of samengedrukt worden.

! De voedingskabel mag alleen door een bevoegde installateur worden vervangen.

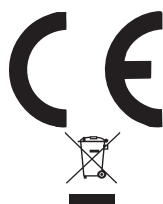
Belangrijk! De fabrikant kan niet aansprakelijk worden gesteld wanneer deze normen niet worden nageleefd.

## Eerste wascyclus

Na de installatie en voor u de wasautomaat in gebruik neemt, dient u een wascyclus uit te voeren met wasmiddel maar zonder wasgoed, op het programma 2.

### Technische gegevens

<b>Model</b>	ECO8F 1292
<b>Afmetingen</b>	breedte cm 59,5 hoogte cm 85 diepte cm 60
<b>Vermogen</b>	van 1 tot 8 kg
<b>Elektrische aansluitingen</b>	zie het typeplaatje met de technische eigenschappen dat op het apparaat is bevestigd
<b>Aansluiting waterleiding</b>	max. druk 1 MPa (10 bar) min. druk 0,05 MPa (0,5 bar) Inhoud trommel 62 liters
<b>Snelheid centrifuge</b>	tot 1200 toeren per minuut
<b>Controle-programma's volgens de norm EN 60456</b>	programma 6; temperatuur 60°C; uitgevoerd met 8 kg lading

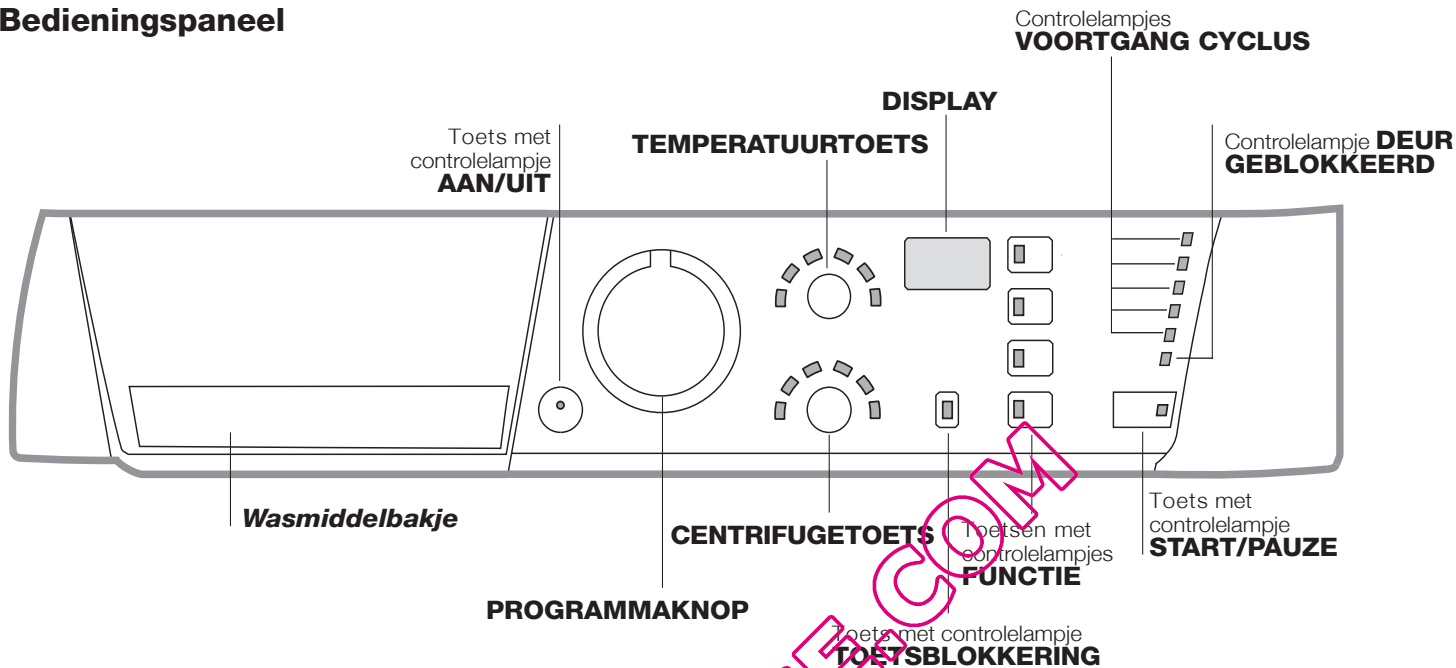


Deze apparatuur voldoet aan de volgende EEC voorschriften:  
- 2004/108/CE (Elektromagnetische compatibiliteit)  
- 2002/96/CE  
- 2006/95/CE (Laagspanning)

# Beschrijving van de wasautomaat en starten van een programma

NL

## Bedieningspaneel



**Wasmiddelbakje:** voor wasmiddelen en wasversterkers (zie "Wasmiddelen en wasgoed").

Toets met controlelampje **AAN/UIT:** voor het in- en uitschakelen van de wasautomaat. Het controlelampje geeft aan dat de wasautomaat aanstaat.

**PROGRAMMAKNOP:** voor het instellen van de programma's. Gedurende het programma blijft de knop stilstaan.

**CENTRIFUGETOETS:** voor het instellen of uitsluiten van de centrifuge (zie "Persoonlijke Instellingen").

**TEMPERATUURTOETS:** voor het instellen van de temperatuur of koud wassen (zie "Persoonlijke Instellingen").

**DISPLAY:** om de resterende tijd van de geselecteerde wascyclus te zien. Indien een uitgestelde start is geselecteerd, de resterende tijd tot aan de start van het wasprogramma.

Toets met controlelampje **TOETSBLOKKERING:** voor het in- of uitschakelen van de blokkering van het bedieningspaneel.

Toetsen met controlelampje **FUNCTIE:** voor het selecteren van de beschikbare functies. Het controlelampje van de gekozen functie zal aanblijven.

Controlerlampjes **VOORTGANG CYCLUS:** voor het volgen van het verloop van het wasprogramma. Het controlelampje geeft de lopende fase weer.

Controlerlampje **DEUR GEBLOKKEERD:** om te zien of de deur kan worden geopend (zie pagina hiernaast).

Toets met controlelampje **START/PAUZE:** om programma's te starten of ze tijdelijk te onderbreken.

**N.B.:** om de lopende wascyclus te pauzeren drukt u op deze toets. Het oranje licht van het betreffende controlelampje zal gaan knipperen terwijl het lampje van de lopende fase vast aan zal blijven staan. Als het controlelampje DEUR GEBLOKKEERD uit is, kunt u het deurtje openen.

Om het programma te hervatten drukt u opnieuw op deze toets.

### Stand-by modus

Deze wasdroogmachine beschikt, in overeenkomst met de nieuwe normen betreffende de energiebesparing, over een systeem wat het apparaat automatisch na 30 minuten uitschakelt (stand-by) indien men het niet gebruikt. Druk kort op de AAN/UIT toets en wacht tot de wasdroogmachine weer aangaat.



## Controlelampjes

De controlelampjes geven belangrijke informatie. Ze geven informatie over:

### Controlelampjes lopende fase

Als u aan de PROGRAMMAKNOP draait gaan de controlelampjes aan van de fases die de wasautomaat uitvoert. Deze hangen af van het gekozen programma.

Als u de gewenste wascyclus heeft geselecteerd en gestart gaan de controlelampjes één voor één aan om te tonen op welk punt de cyclus is:

Wassen	
Spoelen	
Centrifugeren	
Afpompen	
Einde hoofdwash	<b>END</b> 

### Functietoetsen en betreffende controlelampjes

Als u een functie selecteert gaat het bijbehorende controlelampje aan.

Als de gekozen functie niet geschikt is voor het ingestelde programma zal het betreffende controlelampje gaan knipperen, zal een geluidssignaal klinken en zal de functie niet worden geactiveerd.

Als een functie wordt ingesteld die niet past bij een andere, eerder ingestelde, functie, dan blijft alleen de laatste keuze actief.

### Controlelampje temperatuur

Als u een temperatuur selecteert gaat het bijbehorende controlelampje aan.



### Controlelampje centrifuge

Als u een centrifugesnelheid selecteert gaat het bijbehorende controlelampje aan.



### Controlelampje toetsblokkering

Om de blokkering van het bedieningspaneel te "activeren" dient u de toets circa 2 seconden lang ingedrukt te houden. Het ontstoken controlelampje geeft aan dat het bedieningspaneel geblokkeerd is. Op deze manier kunt u voorkomen dat er ongewilde wijzigingen aan de programma's worden aangebracht, bijvoorbeeld bij aanwezigheid van kinderen.

Om de blokkering van het bedieningspaneel te "deactiveren" dient u de toets circa 2 seconden lang ingedrukt te houden.

### Controlelampje deur geblokkeerd:

Als het controlelampje aan is betekent het dat de deur is geblokkeerd om te verhinderen dat hij per ongeluk geopend wordt. Om schade te voorkomen moet u wachten tot het controlelampje uitgaat voordat u de deur opent.

**N.B.:** als de functie "Uitgestelde Start" actief is kunt u de deur niet openen. Om hem toch te openen zet u het apparaat op pauze door op de START/PAUZE toets te drukken.

**!** Als het controlelampje START/PAUZE (oranje) snel knippert tegelijk met de functietoets betekent dit een storing (zie "Storingen en oplossingen").

## Een programma starten

1. Schakel de machine in met de AAN/UIT knop. Alle controlelampjes gaan een paar seconden aan, en daarna blijven de controlelampjes voor alle instellingen van het geselecteerde programma aan, en knippert het controlelampje START/PAUZE.
2. Laad het wasgoed in en sluit de deur.
3. Stel het gewenste programma in met de PROGRAMMAKNOP.
4. Stel de wastemperatuur in (zie "Persoonlijke instellingen").
5. Stel het centrifugetoerental in (zie "Persoonlijke instellingen").
6. Voeg wasmiddel en wasversterkers toe (zie "Wasmiddelen en wasgoed").
7. Selecteer de gewenste functies.
8. Start het programma door op de START/PAUZE toets te drukken. Het betreffende controlelampje zal een vast groen licht vertonen. Om de ingestelde cyclus te annuleren zet u de wasautomaat op pauze door op de START/PAUZE toets te drukken en een nieuwe cyclus te kiezen.
9. Aan het einde van het programma gaat het controlelampje **END** aan. Het controlelampje DEUR GEBLOKKEERD gaat uit om aan te geven dat de deur kan worden geopend. Haal het wasgoed eruit en laat de deur op een kier staan zodat de trommel kan drogen. Schakel de wasautomaat uit in met de AAN/UIT toets.

# Programma's

## Programmatafel

Programma's	Beschrijving van het Programma	Maximale Temp (°C)	Maximaal toerental (toeren per minuut)	Wasmiddel				Maximale lading (kg)	Duur cyclus	
				Voorwas	Bleekmiddel	Was-sen	Wasver-zachter			
<b>Speciale was</b>										
1	<b>Katoen + Voorwas 90°:</b> Zeer vuile witte was.	90°	1200	●	-	●	●	8	U kunt de duur van de wasprogramma's op het display controleren.	
2	<b>Katoen:</b> Zeer vuil wit en kleurecht bont wasgoed.	60°	1200	-	●	●	●	8		
2	<b>Katoen (2):</b> Niet zo vuile witte en bonte was.	40°	1200	-	●	●	●	8		
3	<b>Bont Katoen (3):</b> Niet zo vuile witte en bonte was.	40°	1200	-	●	●	●	8		
4	<b>Synthetisch:</b> Zeer vuile kleurvaste bonte was.	60°	800	-	-	●	●	4		
4	<b>Synthetisch:</b> Niet zo vuile kleurvaste bonte was.	40°	800	-	-	●	●	4		
5	<b>Mix 15':</b> Voor het snel oprispen van niet zo vuil wasgoed (niet geschikt voor wol, zijde en handwas).	30	800	-	-	●	●	1,5		
<b>Dagelijkse was</b>										
6	<b>Hygiëne Cyclus 90°:</b> Zeer vuile witte was.	90°	1200	-	●	●	●	8		
6	<b>Hygiëne Cyclus 90° (1):</b> Zeer vuil wit en kleurecht bont wasgoed.	60°	1200	-	●	●	●	8		
7	<b>Goodnight Cyclus:</b> Niet zo vuile fijne bonte was.	40°	800	-	-	●	●	4		
8	<b>Overhemden/blouses</b>	40°	600	-	-	●	●	2		
9	<b>Zijde/Gordijnen:</b> Voor zijde, viscose, lingerie.	30°	0	-	-	●	●	2		
10	<b>Wol:</b> Voor wol, kasjmier, etc.	40°	600	-	-	●	●	2		
<b>Eco programma's</b>										
11	Katoen	Water-afvoer	1200	-	-	●	●	8		
12	Synthetisch	Water-afvoer	800	-	-	●	●	3		
13	Snelle was	Water-afvoer	800	-	-	●	●	3		
<b>Delprogramma's</b>										
A	Spoelen	-	1200	-	-	-	●	8		
B	Centrifugeren	-	1200	-	-	-	-	8		
C	Afpompen	-	0	-	-	-	-	8		

De gegevens in de tabel geven slechts geschatte waarden weer.

### Voor alle Test Institutes:

- 1) Controleprogramma volgens de norm EN 60456: selecteer het programma 6 met een temperatuur van 60°C.
- 2) Programma katoen lang: selecteer het programma 2 met een temperatuur van 40°C.
- 3) Programma katoen kort: selecteer het programma 3 met een temperatuur van 40°C.

### Speciale programma's



**Mix 15'** (programma 5) is bedoeld voor het snel wassen van niet zo vuil wasgoed: het duurt slechts 15 minuten en bespaart dus elektriciteit en tijd. Met het programma (5 op 30 °C) kunt u verschillende soorten stoffen samen wassen (behalve zijde en wol) met een lading van max. 1,5 kg.

**Hygiëne Cyclus 90°** (programma 6). Een ontsmettend programma op hoge temperaturen dat het gebruik van bleekmiddel voorziet, op temperaturen van meer dan 60°C. Giet om te bleken het bleekmiddel, het wasmiddel en de wasversterkers in de betreffende bakjes (zie paragraaf "Wasmiddelbakje").

**Goodnight Cyclus** (programma 7). Dit is een heel geruisloze cyclus die u 's nachts kunt gebruiken als het energietarief lager is. Het programma is geschikt voor ieder soort synthetische en katoenen stof. Aan het einde van de cyclus stopt het apparaat met het water nog in de trommel. Om de centrifuge en de waterafvoer uit te voeren moet u op de START/PAUZE toets drukken. Indien u dit niet doet, zal de wasautomaat zelf na 8 uur centrifugeren en water afvoeren.

### Eco programma's

Eco programma's garanderen goede wasprestaties op lage temperaturen. Deze programma's gebruiken minder elektrische energie waardoor u zowel geld bespaart als het milieu.

De programma's Eco (Katoen , Synthetisch  en Snelle was 30' ) zijn ontwikkeld voor verschillende materialen en voor niet zo vuile was.

Om een optimaal resultaat te garanderen bevelen we het gebruik van een vloeibaar wasmiddel aan. We raden u bovendien aan manchetten, kragen en vlekken voor te behandelen.

# Persoonlijke instellingen

## Instellen van de temperatuur

De TEMPERATUURTOETS indrukken te draaien kunt u de wastemperatuur instellen (zie *Programmatabel*).

De temperatuur kan verlaagd worden tot aan koud wassen (❄).

De machine voorkomt dat u een temperatuur instelt die hoger is dan het maximum voorzien voor dat programma.

## Instellen van de centrifuge

De CENTRIFUGETOETS indrukken te draaien stelt u de snelheid van de centrifuge van het gekozen programma in.

De maximum snelheden voorzien voor de programma's zijn:

Programma's	Maximum snelheid
Katoen	1200 toeren per minuut
Synthetisch	800 toeren per minuut
Wol	600 toeren per minuut
Zijde	alleen waterafvoer

U kunt de snelheid van de centrifuge verminderen, of uitsluiten met het symbool ⚡.

De machine voorkomt automatisch dat er een centrifuge wordt uitgevoerd die sneller is dan het maximum voorzien voor dat programma.

## Functies

De verschillende functies van de wasautomaat zorgen voor de door u gewenste schone en witte was.

Voor het activeren van de functies:

1. druk op de toets die bij de gewenste functie hoort;
2. het aangaan van het betreffende controlelampje geeft aan dat de functie actief is.

**N.B.:** Het snel knipperen van het lampje geeft aan dat de bijbehorende functie niet gekozen kan worden bij het ingestelde programma.

### Uitgestelde Start

Om de uitgestelde start van het gekozen programma in te stellen drukt u een paar keer op de betreffende knop totdat de gewenste vertraging verschijnt (van 1 tot 24 h). Om de functie te deactiveren drukt u op de knop totdat de tekst **OFF** verschijnt.

**N.B.:** Als de START/PAUZE toets eenmaal is ingedrukt kan de vertraging alleen verminderd worden.

! Deze optie is bij alle programma's mogelijk.

### Super Wash

Dankzij het gebruik van een grotere hoeveelheid water in de beginfase van de cyclus en de langere tijdsduur ervan, garandeert deze functie een zeer effectief wasresultaat.

! Deze optie kan niet worden geactiveerd bij de programma's 5, 6, 9, 10, 11, 12, 13, A, B, C.

### Extra Spoelen

Door deze functie te selecteren verhoogt u het spoelresultaat en zorgt u ervoor dat elk spoor van wasmiddel verdwijnt. Deze optie is vooral nuttig bij personen met een gevoelige huid.

! Deze optie kan niet worden geactiveerd bij de programma's 5, 13, B, C.

### Gemakkelijker strijken

Als u deze functie selecteert zullen het wassen en de centrifuge dusdanig worden aangepast dat er minder kreuken worden gevormd. Aan het einde van de wascyclus zal de wasautomaat de trommel langzaam laten ronddraaien. De controlelampjes van de functie GEMAKKELIJKER STRIJKEN en START/PAUZE gaan (oranje) knipperen en de fase **END** zal vast aan blijven staan. Om de cyclus te beëindigen drukt u op de START/PAUZE toets of op de toets GEMAKKELIJKER STRIJKEN.

Bij het programma **Zijde** beëindigt de wasautomaat de cyclus door het wasgoed in de week te laten staan. Het controlelampjes van de functie GEMAKKELIJKER STRIJKEN en START/PAUZE gaan (oranje) knipperen en de fase SPOELEN zal vast aan blijven staan. Om het water af te voeren en de was uit de automaat te halen moet u op de START/PAUZE toets drukken of op de toets GEMAKKELIJKER STRIJKEN.

! Deze optie kan niet worden geactiveerd bij de programma's 5, 6, 7, 10, 11, 12, 13, B, C.

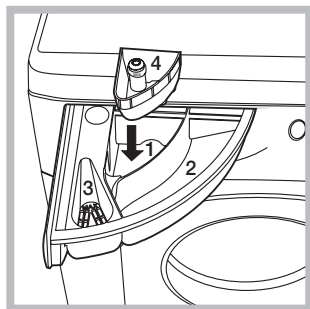
# Wasmiddelen en wasgoed

NL

## Wasmiddelbakje

Een goed wasresultaat hangt ook af van de juiste dosis wasmiddel: te veel wasmiddel maakt het wassen niet beter. Het wasmiddel blijft aan de binnenzijde van de wasautomaat zitten en zorgt voor het vervuilen van het milieu.

! Gebruik nooit wasmiddelen voor handwas aangezien die te veel schuim vormen.



Trek het laatje naar voren en giet het wasmiddel of de wasversterker er als volgt in:

### bakje 1: Wasmiddel voor voorwas (poeder)

Voordat u het wasmiddel erin strooit moet u controleren of het bakje 4 is verwijderd.

### bakje 2: Wasmiddel voor hoofdwash (poeder of vloeibaar)

Het vloeibare wasmiddel moet vlak voor de start in het bakje worden gegoten.

### bakje 3: Wasversterkers (wasverzachter, enz.)

De wasverzachter mag niet boven het roostertje uitkomen.

### extra bakje 4: Bleekmiddel

## Bleekcyclus

U kunt alleen bleken tijdens de programma's **2, 3, 6**. Giet het bleekmiddel in het extra bakje **4**, het wasmiddel en de wasverzachter in hun respectievelijke bakjes en stel vervolgens een van bovenstaande programma's in. Alleen aangeraden voor zeer vuil katoenen wasgoed.

## Vorbereiden van het wasgoed

- Verdeel het wasgoed volgens:
  - het soort stof / het symbool op het etiket.
  - de kleuren: scheid de bonte was van de witte was.
- Leeg de zakken en controleer de knopen.
- Overschrijd het aangegeven gewicht, berekend voor droog wasgoed, nooit:
  - Kleurechte stoffen: max 8 kg
  - Synthetische stoffen: max 4 kg
  - Fijne stoffen: max 2 kg
  - Wol: max 2 kg

## Hoeveel weegt wasgoed?

- 1 laken 400-500 g.
- 1 sloop 150-200 g.
- 1 tafelkleed 400-500 g.
- 1 badjas 900-1200 g.
- 1 handdoek 150-250 g.


## Bijzondere kledingstukken

**Overhemden/blouses:** gebruik het programma **8** om overhemden/blouses van verschillende soorten stof en kleur te wassen.

Zo bereikt u een maximale verzorging en een minimale kreukvorming.

**Zijde:** gebruik het speciale programma **9** om alle zijden kledingstukken te wassen. We raden u aan een speciaal wasmiddel voor fijne was te gebruiken.

**Gordijnen:** vouw de gordijnen nauwkeurig en doe ze in een kussensloop of net. Gebruik het programma **9**.

**Wol:** is het enige bedrijf dat een wasautomaat heeft ontwikkeld die de prestigieuze Woolmark Platinum Care (M.0500) onderscheiding heeft gekregen van The Woolmark Company. Dit garandeert dat u alle wollen kledingstukken in de automaat kunt wassen, ook wasgoed met het etiket "alleen handwas" . Met het programma **10** kunt u dus rustig al uw wollen wasgoed in de automaat wassen (max. 2 kg) met de garantie van een optimaal resultaat.

## Balanceersysteem van de lading

Om overmatige trillingen te vermijden verdeelt de automaat de lading voor het centrifugeren op een gelijkmatige manier. Dit gebeurt door de trommel te laten draaien op een snelheid die iets hoger ligt dan de wassnelheid. Als na herhaaldelijke pogingen de lading nog steeds niet goed is gebalanceerd, zal de wasautomaat de centrifuge op een lagere snelheid uitvoeren dan die voorzien was. Als de lading zeer uit balans is zal de wasautomaat een verdeling uitvoeren in plaats van een centrifuge. Teneinde een betere distributie van de waslading en een juiste balancering te bereiken raden wij u aan kleine en grote kledingstukken te mengen.

# Voorzorgsmaatregelen en advies

! De wasmachine is ontworpen en geproduceerd volgens de internationale veiligheidsnormen. Deze aanwijzingen zijn voor uw eigen veiligheid geschreven en moeten aandachtig worden doorgenomen.

## Algemene veiligheid

- Het apparaat mag niet worden gebruikt door personen (kinderen inbegrepen), met beperkte lichamelijke, sensorische of mentale vermogens of met onvoldoende ervaring en kennis, tenzij het gebruik plaatsvindt onder het toezicht of volgens de instructies van een persoon die verantwoordelijk is voor hun veiligheid. Kinderen moeten in de gaten worden gehouden om te verzekeren dat ze niet met het apparaat spelen.
- Dit apparaat is uitsluitend ontworpen voor huishoudelijk niet-professioneel gebruik.
- Raak de machine niet aan als u blootsvoets bent of met natte of vochtige handen of voeten.
- Trek de stekker nooit uit het stopcontact door aan het snoer te trekken, maar altijd door de stekker zelf beet te pakken.
- Open het wasmiddelbakje niet terwijl de machine in werking is.
- Raak het afvoerwater niet aan aangezien het zeer heet kan zijn.
- Forceer de deur nooit: het veiligheidsmechanisme dat een ongewild openen van de deur voorkomt, kan beschadigd worden.
- Probeer in geval van storingen nooit zelf de interne mechanismen van de wasautomaat te repareren.
- Zorg ervoor dat kleine kinderen niet te dicht bij de machine komen als deze in werking is.
- De deur kan tijdens het wassen zeer heet worden.
- Als de machine verplaatst moet worden, doe dit dan met twee of drie personen tegelijk en zeer voorzichtig. Doe dit nooit alleen, want het apparaat is erg zwaar.
- Voordat u het wasgoed in de automaat laadt, moet u controleren of hij leeg is.

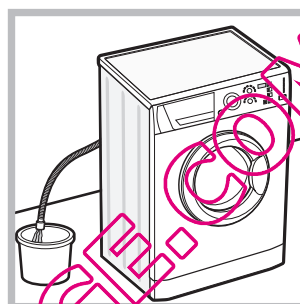
## Afvalverwijdering

- Het wegdoen van het verpakkingsmateriaal: houdt u aan de plaatselijke normen zodat het materiaal hergebruikt kan worden.
- De Europese Richtlijn 2002/96/EC over Vernietiging van Elektrische en Electronische Apparatuur, vereist dat oude huishoudelijke elektrische apparaten niet mogen vernietigd via de normale ongesorteerde afvalstroom. Oude apparaten moeten apart worden ingezameld om zo het hergebruik van de gebruikte materialen te optimaliseren en de negatieve invloed op de gezondheid en het milieu te reduceren.

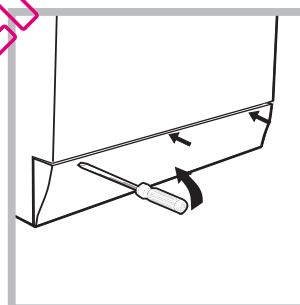
Het symbool op het product van de “afvalcontainer met een kruis erdoor” herinnert u aan uw verplichting, dat wanneer u het apparaat vernietigt, het apparaat apart moet worden ingezameld. Consumenten moeten contact opnemen met de lokale autoriteiten voor informatie over de juiste wijze van vernietiging van hun oude apparaat.

## Handmatige opening van de deur

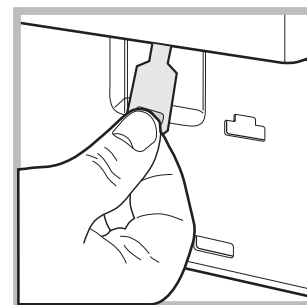
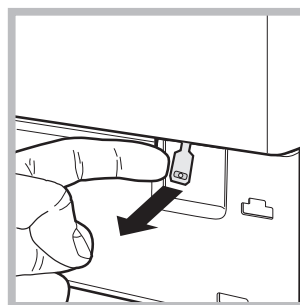
Mocht er in het huis geen stroom aanwezig zijn en u wilt het deurtje openen om de was op te hangen, dan dient u het volgende te doen:



1. haal de stekker uit het stopcontact.
2. controleer dat het water-niveau in de automaat lager is dan het deurtje; als dat niet het geval is kunt het water weg laten lopen door middel van de afvoerbuis en dit opvangen in een emmer, zoals aangegeven in de afbeelding.



3. verwijder het afdekpaneel aan de voorkant van de wasautomaat met behulp van een schroevendraaier (zie afbeelding).



4. trek het lipje dat wordt aangegeven in de afbeelding naar voren totdat het plastic bandje loskomt; trek hem daarna naar beneden en open tegelijkertijd de deur.

5. monteer het paneel weer, met de haakjes goed bevestigd in de juiste openingen, voordat u het paneel tegen de machine aandrukt.

# Onderhoud en verzorging

NL

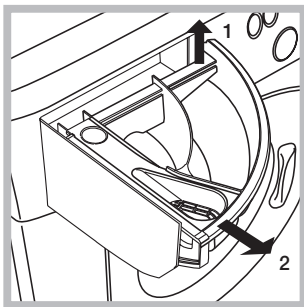
## Afsluiten van water en stroom

- Sluit na iedere wasbeurt de kraan af. Hiermee beperkt u slijtage van de waterinstallatie van de wasmachine en voorkomt u lekkage.
- Sluit altijd eerst de stroom af voordat u de wasautomaat gaat schoonmaken en gedurende onderhoudswerkzaamheden.

## Reinigen van de wasautomaat

De buitenkant en de rubberen onderdelen kunnen met een spons en een lauw sopje worden schoongemaakt. Gebruik nooit schuurmiddelen of oplosmiddelen.

## Reinigen van het wasmiddelbakje



Verwijder het bakje door het op te lichten en naar voren te trekken (zie afbeelding). Was het onder stromend water. Dit moet u regelmatig doen.

## Onderhoud van deur en trommel

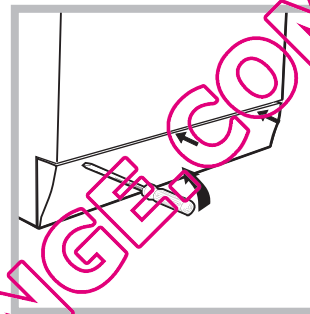
- Laat de deur altijd op een kier staan om nare luchtjes te vermijden.

## Reinigen van de pomp

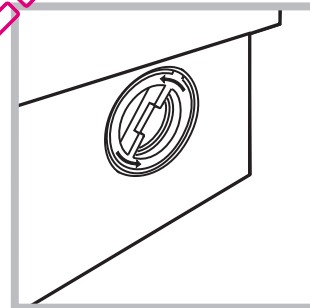
De wasautomaat is voorzien van een zelfreinigende pomp en hoeft dus niet te worden onderhouden. Het kan echter gebeuren dat kleine voorwerpen (muntjes, knopen) in het voorvakje dat de pomp beschermt en zich aan de onderkant ervan bevindt, terechtkomen.

! Verzeker u ervan dat de wascyclus klaar is en haal de stekker uit het stopcontact.

Toegang tot het voorvakje:



1. verwijder het afdekpaneel aan de voorkant van de wasautomaat met behulp van een schroevendraaier (zie afbeelding);



2. draai het deksel eraf, tegen de klok in (zie afbeelding); het is normaal dat er een beetje water uit komt;

3. maak de binnenkant goed schoon;
4. schroef het deksel er weer op;
5. monteer het paneel weer, met de haakjes goed bevestigd in de juiste openingen, voordat u het paneel tegen de machine aandrukt.

## Controleren van de buis van de watertoevoer

Controleer minstens eenmaal per jaar de slang van de watertoevoer. Als er barstjes of scheuren in zitten moet hij vervangen worden: gedurende het wassen kan de hoge waterdruk onverwachts breuken veroorzaken.

! Gebruik nooit tweedehands buizen.

# Storingen en oplossingen

Het kan gebeuren dat de wasautomaat niet werkt. Voor u contact opneemt met de Servicedienst (zie "Service") moet u controleren of het niet een storing betreft die u zelf makkelijk kunt verhelpen met behulp van de volgende lijst.

## Storingen:

### De wasautomaat gaat niet aan.

### De wascyclus start niet.

### De wasautomaat heeft geen watertoevoer (het controlelampje van de eerste wasfase knippert snel).

### De wasautomaat blijft water aan- en afvoeren.

### De wasautomaat voert het water niet af of centrifugeert niet.

### De machine trilt erg tijdens het centrifuger.

### De wasautomaat lekt.

### Het controlelampje START/PAUZE (oranje) en de controlelampjes van de functies knipperen snel.

### Er ontstaat teveel schuim.

## Mogelijke oorzaken / Oplossing:

- De stekker zit niet in het stopcontact of niet ver genoeg om contact te maken.
- Het hele huis zit zonder stroom.

- De deur zit niet goed dicht.
- De AAN/UIT toets is niet ingedrukt.
- De START/PAUZE toets is niet ingedrukt.
- De waterkraan is niet open.
- De uitgestelde start is ingesteld (zie "Persoonlijke Instellingen").

- De watertoevoerbuiss is niet aangesloten op de kraan.
- De buis is gebogen.
- De waterkraan is niet open.
- Het hele huis zit zonder water.
- Er is onvoldoende druk.
- De START/PAUZE toets is niet ingedrukt.

- De afvoerbuiss is niet op 60 tot 100 cm afstand van de grond af geïnstalleerd (zie "Installatie").

- Het uiteinde van de afvoerbuiss ligt onder water (zie "Installatie").
- De afvoer in de muur heeft geen ontluuchting.

Als na deze controles het probleem niet is opgelost, moet u de waterkraan dichtdraaien, de wasautomaat uitzetten en de Servicedienst inschakelen. Als u op een van de hoogste verdiepingen van een flatgebouw woont kan zich een hevelingsprobleem voordoen, waarbij de wasautomaat voortdurend water aan- en afvoert. Om deze storing te verhelpen zijn er in de handel speciale beluchters te koop.

- Het programma voorziet geen afvoer: bij enkele programma's moet dit met de hand worden gestart.

- De functie GEMAKKELIJKER STRIJKEN is ingeschakeld: voor het beëindigen van het programma drukt u op de START/PAUZE toets ("Persoonlijke Instellingen").
- De afvoerbuiss is gebogen (zie "Installatie").
- De afvoerleiding is verstopt.

- De trommel is bij het installeren niet op de juiste wijze gedeblokkeerd (zie "Installatie").
- De wasautomaat staat niet goed recht (zie "Installatie").
- De wasautomaat staat te krap tussen meubels en muur (zie "Installatie").

- De buis van de watertoevoer is niet goed aangeschroefd (zie "Installatie").
- Het wasmiddelbakje is verstopt (voor reiniging zie "Onderhoud en verzorging").
- De afvoerbuiss is niet goed aangesloten (zie "Installatie").

- Doe de wasautomaat uit en haal de stekker uit het stopcontact. Wacht circa 1 minuut en doe hem daarna weer aan. Als de storing voortzet, dient u de Servicedienst in te schakelen.

- Het wasmiddel is niet bedoeld voor wasautomaten (er moet "voor wasautomaat", "handwas en machinewas", of dergelijke op staan).
- U heeft teveel wasmiddel gebruikt.

# Service

---

NL

## **Voordat u de Servicedienst inschakelt:**

- Controleer eerst of u het probleem zelf kunt oplossen (*zie "Storingen en oplossingen"*).
- Start het programma opnieuw om te controleren of de storing is verholpen;
- Als dit niet het geval is moet u contact opnemen met de erkende Technische Servicedienst via het telefoonnummer dat op het garantiebewijs staat.

! Wendt u nooit tot een niet erkende installateur.

## **Vermeld:**

- het type storing;
- het model van de machine (Mod.);
- het serienummer (S/N).

Deze informatie vindt u op het typeplaatje aan de achterkant van de wasautomaat en aan de voorzijde als u het deurtje opendoet.

QUELLA VELDINGE.COM



# Instruções para utilização

## MÁQUINA DE LAVAR ROUPA

PT

Português

ECO8F 1292

### Sumário

#### Instalação, 50-51

Desembalar e nivelar  
Ligações hidráulicas e eléctricas  
Primeiro ciclo de lavagem  
Dados técnicos

#### Descrição da máquina de lavar roupa e como iniciar um programa, 52-53

Painel de comandos  
Indicadores luminosos  
Iniciar um programa

#### Programas, 54

Tabela dos programas

#### Personalizações, 55

Selecione a temperatura  
Selecione a centrifugação  
Funções

#### Detergentes e roupa, 56

Gaveta dos detergentes  
Ciclo para branquear  
Preparar a roupa  
Peças especiais  
Sistema de balanceamento da carga

#### Precauções e conselhos, 57

Segurança geral  
Eliminação  
Abertura manual da porta de vidro

#### Manutenção e cuidados, 58

Interromper a alimentação de água e de corrente eléctrica  
Limpar a máquina de lavar roupa  
Limpar a gaveta dos detergentes  
Cuidados com a porta de vidro e o tambor  
Limpar a bomba  
Verificar o tubo de alimentação de água

#### Anomalias e soluções, 59

#### Assistência, 60

PT

QUELLAVELTINCE.COM

# Instalação

PT

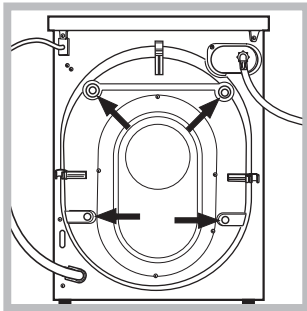
! É importante guardar este manual para poder consultá-lo a qualquer momento. Se a máquina for vendida, cedida ou transferida, certifique-se que este manual permaneça com a máquina para informar o novo proprietário acerca do seu funcionamento e das respectivas advertências.

! Leia com atenção estas instruções: há importantes informações acerca da instalação, da utilização e da segurança.

## Desembalar e nivelar

### Desembalar

1. Tire a máquina de lavar roupa da embalagem.
2. Verifique se a máquina de lavar roupa sofreu danos no transporte. Se estiver danificada não efectue a sua ligação e contacte o revendedor.



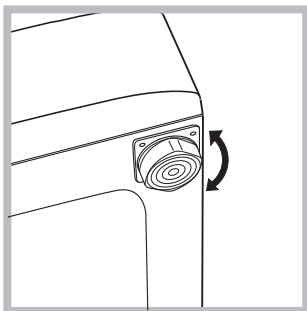
3. Tire os 4 parafusos de protecção para o transporte e a borrachinha com o respectivo calço, situados na parte traseira (veja a figura).

4. Tampe os furos com as tampas em plástico fornecidas.
5. Guarde todas as peças: se for necessário transportar a máquina de lavar roupa, terão de ser montadas outra vez.

! Embalagens não são brinquedos para as crianças!

### Nivelamento

1. Instale a máquina de lavar roupa sobre um pavimento plano e rígido, sem encostá-la em paredes, móveis nem outro.



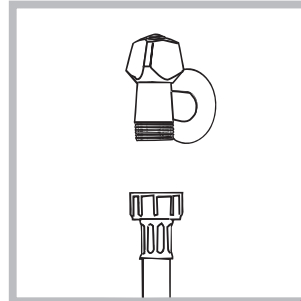
2. Se o pavimento não for perfeitamente horizontal, para compensar qualquer irregularidade, desatarraxe ou atarraxe os pés dianteiros (veja a figura); o ângulo de inclinação, medido no plano de trabalho, não deve ultrapassar 2°.

Um cuidadoso nivelamento dá estabilidade à máquina e evita vibrações, ruídos e

deslocamentos durante o funcionamento. Se houver tapete ou alcatifa, regule os pés em modo que embaixo da máquina de lavar roupa deixe um espaço suficiente para ventilação.

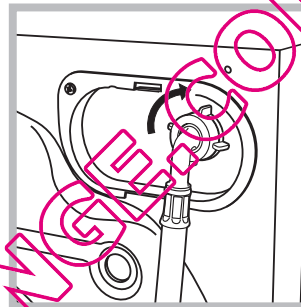
## Ligações hidráulicas e eléctricas

### Ligação do tubo de alimentação da água



1. Realize a ligação do tubo de alimentação parafusando-o a uma torneira de água fria com bocal de rosca de 3/4 gás (veja a figura).

Antes de realizar esta ligação, deixe a água escorrer até estar límpida.



2. Ligue o tubo de alimentação na máquina de lavar roupa atarraxando-o no apropriado fornecimento da água, na parte traseira, em cima à direita (veja a figura).

3. Tome cuidado para o tubo não ser dobrado nem esmagado.

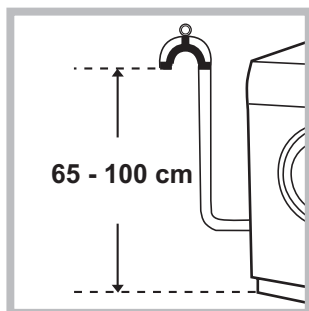
! A pressão hídrica da torneira deve ser entre os valores da tabela dos Dados técnicos (veja a página ao lado).

! Se o comprimento do tubo de alimentação não for suficiente, contacte uma oficina especializada ou um técnico autorizado.

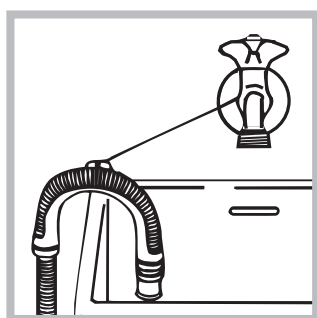
! Nunca utilize tubos já usados.

! Utilize aqueles fornecidos com a máquina.

### Ligação do tubo de descarga



Ligue o tubo de descarga, sem dobrá-lo, a um conduto de descarga ou a uma descarga de parede colocados entre 65 e 100 cm do chão;



em alternativa, coloque na beira de um lavabo ou de uma banheira, prendendo na torneira a guia fornecida (veja a figura). A ponta solta do tubo de descarga não deve permanecer emergida na água.

! É desaconselhado empregar tubos de extensão; mas se for indispensável, a extensão deve ter o mesmo diâmetro do tubo original e não medir mais de 150 cm de comprimento.

### Ligação eléctrica

Antes de ligar a ficha na tomada eléctrica, certifique-se que:

- a tomada tenha uma ligação à terra e seja nos termos da legislação;
- a tomada tenha a capacidade para suportar a carga máxima de potência da máquina, indicada na tabela dos Dados técnicos (veja ao lado);
- a tensão de alimentação seja entre os valores indicados na tabela dos Dados técnicos (veja ao lado);
- a tomada seja compatível com a ficha da máquina de lavar roupa. Se não for, substitua a tomada ou a ficha.

! Esta máquina de lavar roupa não deve ser instalada ao aberto, nem mesmo abrigada, porque é muito perigoso deixá-la exposta à chuva e às tempestades.

! Depois de ter instalado a máquina de lavar roupa, o acesso à tomada eléctrica deve ser fácil.

! Não empregue extensões nem fichas múltiplas.

! O cabo não deve ser dobrado nem apertado.

! O cabo de alimentação deve ser substituído somente por técnicos autorizados.

Atenção! O fabricante declina toda a responsabilidade se estas regras não forem respeitadas.

### Primeiro ciclo de lavagem

Depois da instalação, antes de usar, efectue um ciclo de lavagem com detergente mas sem roupa, defina o programa 2.

### Dados técnicos

<b>Modelo</b>	ECO8F 1292
<b>Medidas</b>	largura 59,5 cm. altura 85 cm. profundidade 60 cm.
<b>Capacidade</b>	de 1 a 8 kg.
<b>Ligações eléctricas</b>	Veja a placa das características técnicas colocada na máquina.
<b>Ligações hídricas</b>	pressão máxima 1 MPa (10 bars) pressão mínima 0,05 MPa (0,5 bar) capacidade do tambor 62 litros
<b>Velocidade da centrifugação</b>	até 1200 rotações por minuto
<b>Programas de controlo segundo a norma EN 60456</b>	programa 6; temperatura 60°C; realizado com carga de 8 kg.

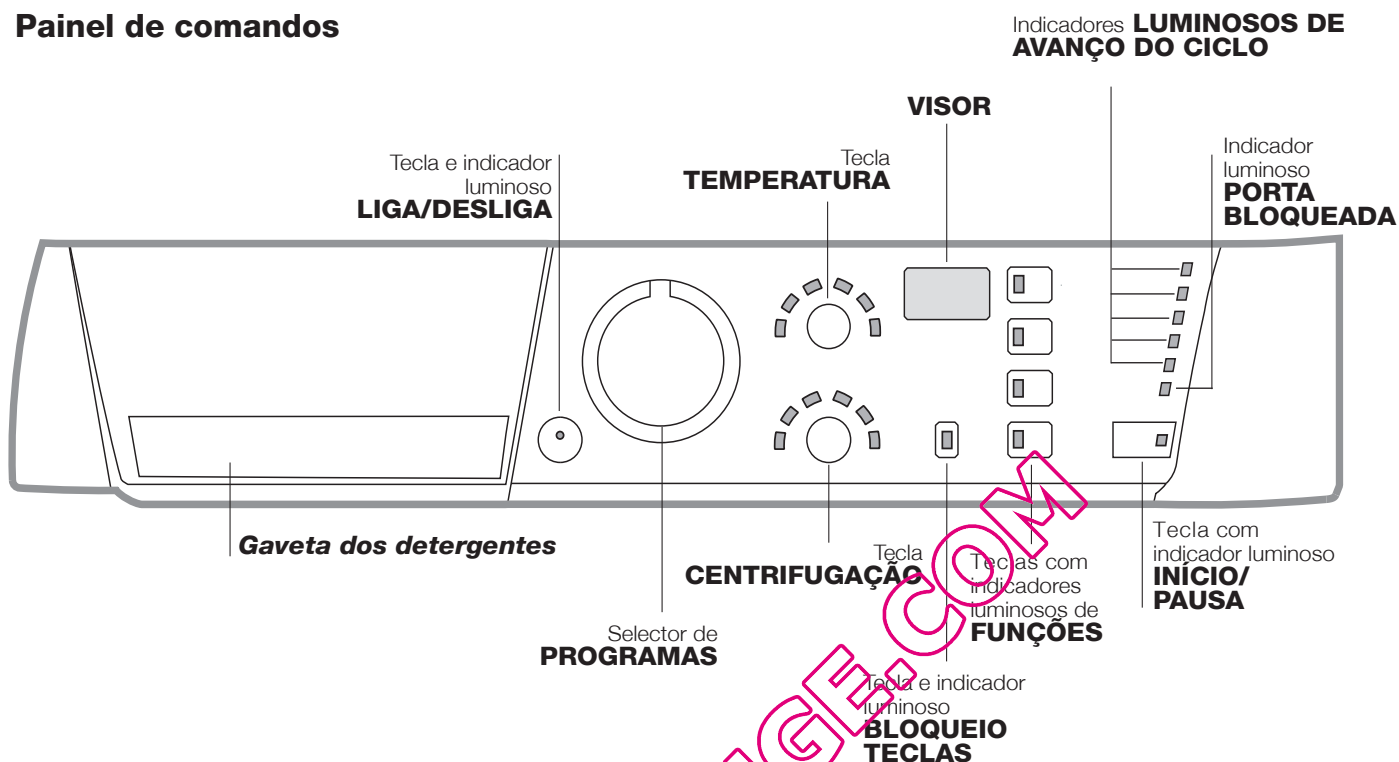


Esta aparelhagem é em conformidade com as seguintes Directivas Comunitárias:

- 2004/108/CE (Compatibilidade Electromagnética)
- 2002/96/CE
- 2006/95/CE (Baixa Tensão)

# Descrição da máquina de lavar roupa e como iniciar um programa

## Painel de comandos



**Gaveta dos detergentes:** para colocar detergentes e aditivos (veja "Detergentes e roupa").

Tecla e indicador luminoso **LIGA/DESLIGA:** para ligar e desligar a máquina. O indicador luminoso aceso indica que a máquina está ligada.

Selector de **PROGRAMAS:** para programar os programas. Durante o programa o selector permanece parado.

Tecla **CENTRIFUGAÇÃO:** para seleccionar a centrifugação ou desactivá-la (veja "Personalizações").

Tecla **TEMPERATURA:** para definir a temperatura ou a lavagem a frio (veja "Personalizações").

**VISOR:** para visualizar o tempo residual do ciclo de lavagem seleccionado e se foi programado um início posterior, o tempo faltante ao início da lavagem.

Tecla e indicador luminoso **BLOQUEIO TECLAS:** para activar ou desactivar o bloqueio do painel de comandos.

Teclas com indicadores luminosos de **FUNÇÕES:** para seleccionar as funções disponíveis. O indicador luminoso correspondente à função seleccionada permanecerá aceso.

Indicadores **LUMINOSOS DE AVANÇO DO CICLO:** para seguir o estado do avanço do programa de lavagem. O indicador luminoso aceso indica a fase em curso.

Indicador luminoso **PORTA BLOQUEADA:** para saber se a porta de vidro pode ser aberta (veja a página ao lado).

Tecla com indicador luminoso **INÍCIO/PAUSA:** para activar os programas ou interrompê-los momentaneamente.

**Obs.:** para colocar em pausa a lavagem em curso, carregar nesta tecla, o respectivo indicador luminoso ficará intermitente com uma luz laranja enquanto aquele da fase em curso ficará aceso fixo. Se o indicador PORTA BLOQUEADA estiver apagado, será possível abrir a porta de vidro.

Para fazer iniciar a lavagem do ponto em que foi interrompida, carregar novamente nesta tecla.

### Modalidade de Stand by

Esta máquina de lavar roupa, em conformidade com as novas normas sobre a economia energética, dispõe de um sistema de desligação automática (stand by) que entra em função aproximadamente 30 minutos depois, no caso de inutilização. Carregue brevemente no botão LIGA/DESLIGA e guarde até a reactivação da máquina.

## Indicadores luminosos

Os indicadores luminosos fornecem informações importantes.

Vejamos o que significam:

### Indicadores luminosos fase em curso

Girando o selector dos PROGRAMAS, os indicadores luminosos acendem-se indicando as fases que a máquina efectuará conforme o programa escolhido.

Uma vez seleccionado e iniciado o ciclo de lavagem desejado, os indicadores luminosos se acenderão progressivamente para indicar o estado de avanço:

Lavagem	
Enxaguamento	
Centrifugação	
Descarga	
Final da Lavagem	<b>END</b> 

### Teclas função e respectivos indicadores luminosos

Ao seleccionar uma função o respectivo indicador luminoso se acenderá.

Se a função seleccionada não for compatível com o programa definido, o indicador luminoso se acenderá intermitente, será emitido um sinal acústico e a função não será activada.

Se for seleccionada uma função incompatível com outra anteriormente seleccionada, permanecerá activa somente a última seleccionada.

## Iniciar um programa

1. Ligue a máquina de lavar roupa, carregando na tecla LIGA/DESLIGA. Todos os indicadores luminosos se acenderão por alguns segundos, em seguida ficarão acesos os indicadores relativos às configurações do programa seleccionado e o indicador luminoso INÍCIO/PAUSA ficará intermitente.
2. Coloque a roupa dentro da máquina e feche a porta.
3. Selecciono mediante o selector de PROGRAMAS o programa que desejar.
4. Selecciono a temperatura de lavagem (veja as "Personalizações").
5. Selecciono a velocidade de centrifugação (veja as "Personalizações").
6. Colocar detergentes e aditivos (veja "Detergentes e roupa").
7. Selecciono as funções desejadas.
8. Iniciar o programa carregando na tecla INÍCIO/PAUSA e o respectivo indicador luminoso permanecerá aceso fixo de cor verde. Para anular o ciclo programado, colocar a máquina em pausa carregando na tecla INÍCIO/PAUSA e escolher um novo ciclo.
9. No fim do programa, irá iluminar-se o indicador **END**. O indicador luminoso PORTA BLOQUEADA irá desligar-se indicado que a porta pode ser aberta. Retire a roupa lavada de dentro e deixe a porta entreaberta para deixar o tambor enxugar-se. Para desligar a máquina de lavar roupa, mete na tecla de LIGA/DESLIGA.

### Indicadores luminosos da temperatura

Seleccionando um valor de temperatura o respectivo indicador luminoso acender-se-á.



### Indicadores luminosos da centrifugação

Seleccionando um valor de centrifugação o respectivo indicador luminoso acender-se-á.



### Indicador luminoso de bloqueio das teclas

Para "activar" o bloqueio do painel de comandos, manter pressionado o botão por aproximadamente 2 segundos. O indicador luminoso aceso indica que o painel de comandos está bloqueado. Deste modo, impedem-se modificações acidentais dos programas, sobretudo se houver crianças em casa.

Para "desactivar" o bloqueio do painel de comandos, manter pressionado o botão durante aproximadamente 2 segundos.

### O Indicador luminoso porta bloqueada:

O indicador luminoso aceso indica que a porta está trancada para impedir aberturas acidentais; para evitar danos é necessário aguardar que o indicador luminoso se apague antes de abrir a porta.

**Obs.:** se estiver activa a função INÍCIO POSTERIOR a porta não poderá ser aberta, para abrir, colocar a máquina em pausa carregando na tecla INÍCIO/PAUSA.

**!** A intermitência rápida do indicador luminoso INÍCIO/PAUSA (laranja) contemporâneo ao indicador das funções, sinaliza uma anomalia (veja "Anomalias e soluções").

# Programas

## Tabela dos programas

Programas	Descrição do Programa	Temp. max. (°C)	Velocidade max. (rotações por minuto)	Detergentes				Carga max. (Kg)	Duração ciclo	
				Pré-lavagem	Lixívia	Lavagem	Ama-ciador			
<b>Quotidiano (programas para todos os dias)</b>										
1	<b>Algodão Pré-lavagem 90°C:</b> brancos e coloridos resistentes muito sujos.	90°	1200	●	-	●	●	8	É possível controlar a duração dos programas de lavagem no visor.	
2	<b>Algodão:</b> brancos e coloridos resistentes muito sujos.	60°	1200	-	●	●	●	8		
2	<b>Algodão (2):</b> brancos e coloridos delicados pouco sujos.	40°	1200	-	●	●	●	8		
3	<b>Algodão Coloridos (3):</b> brancos pouco sujos e cores delicadas.	40°	1200	-	●	●	●	8		
4	<b>Sintéticos:</b> coloridos delicados muito sujos.	60°	800	-	-	●	●	4		
4	<b>Sintéticos delicados:</b> coloridos resistentes pouco sujos.	40°	800	-	-	●	●	4		
5	<b>Mix 15':</b> para refrescar rapidamente roupas levemente sujas (não é indicado para lã, seda e roupas que deve ser lavadas à mão).	30	800	-	-	●	●	1,5		
<b>Programas Especiais</b>										
6	<b>Higienização:</b> peças brancas extremamente sujas.	90°	1200	-	●	●	●	8		
6	<b>Higienização (1):</b> brancos e coloridos resistentes muito sujos.	60°	1200	-	●	●	●	8		
7	<b>Ciclo Boa Noite:</b> coloridos delicados pouco sujos.	40°	800	-	-	●	●	4		
8	<b>Camisas</b>	40°	600	-	-	●	●	2		
9	<b>Seda / Cortinas:</b> para roupas de seda, viscosa, lingerie.	30°	0	-	-	●	●	2		
10	<b>Lã:</b> para lã, cashmere, etc.	40°	600	-	-	●	●	2		
<b>Eco Programas</b>										
11	<b>Algodão</b>	água fria	1200	-	-	●	●	8		
12	<b>Sintéticos</b>	água fria	800	-	-	●	●	3		
13	<b>Rápido 30'</b>	água fria	800	-	-	●	●	3		
<b>Programas Parciais</b>										
A	<b>Enxaguamentos</b>	-	1200	-	-	-	●	8		
B	<b>Centrifugação</b>	-	1200	-	-	-	-	8		
C	<b>Descarga</b>	-	0	-	-	-	-	8		

Os dados apresentados na tabela têm valor indicativo.

Para todos Test Institutes:

- 1) Programa de controlo segundo a norma EN 60456: configurar o programa 6 com uma temperatura de 60°C.
- 2) Programa longo para algodão: configurar o programa 2 com uma temperatura de 40°C.
- 3) Programa curto para algodão: configurar o programa 3 com uma temperatura de 40°C.

### Programas especiais

**Mix 15'** (programa 5) foi estudado para lavar peças levemente sujas em pouco tempo: leva apenas 15 minutos e, desta maneira, economiza energia e tempo. Se regular o programa (5 a 30°C) será possível lavar juntos tecidos de natureza diferente (excepto lã e seda), com uma carga máxima de 1,5 Kg.

**Higienização** (programa 6). Um programa higienizante com alta temperatura que prevê o uso de lixívia com temperaturas superiores aos 60°C. Para branquear, deite a lixívia, os detergentes e os aditivos nos respectivos compartimentos (veja o parágrafo "Gaveta dos detergentes").

**Ciclo Boa noite** (programa 7). É um ciclo silencioso que pode trabalhar de noite, quando a tarifa energética é reduzida. O programa foi estudado para roupas sintéticas e de algodão. No fim do ciclo, a máquina irá parar com água no tambor; para efectuar a centrifugação e a descarga mete na tecla INÍCIO/PAUSA, caso contrário, depois de 8 horas a máquina efectuará automaticamente a centrifugação e a descarga da água.

### Programas Eco

Os programas Eco oferecem um bom desempenho de lavagem já nas baixas temperaturas, permitindo um menor gasto de energia eléctrica com benefícios para o meio ambiente e maior economia.

Os programas Eco (Algodão , Sintéticos  e Rápido 30' ) foram criados para vários tipos de tecido e para peças pouco sujas.

Para garantir um resultado óptimo, recomendamos usar detergente líquido; aconselha-se pré-tratar os punhos, colarinhos e manchas.

# Personalizações

## Selecione a temperatura

Pressionando a tecla TEMPERATURA para seleccionar a temperatura de lavagem (veja a *Tabela dos programas*).

A temperatura pode ser diminuída até a lavagem a frio (❄).

A máquina impedirá automaticamente a configuração de uma temperatura superior à máxima prevista para cada um dos programas.

## Selecione a centrifugação

Pressionando a tecla CENTRIFUGAÇÃO para seleccionar a velocidade de centrifugação do programa seleccionado.

As velocidades máximas que há para os programas são:

Programas	Velocidade máxima
Algodão	1200 rotações por minuto
Sintéticos	800 rotações por minuto
Lã	600 rotações por minuto
Seda	somente descarga

A velocidade de centrifugação pode ser diminuída, ou excluída se seleccionar o símbolo (0).

A máquina impedirá automaticamente a realização de uma centrifugação superior à máxima de cada um dos programas.

## Funções

As várias funções de lavagem da máquina de lavar roupa possibilitam obter-se a limpeza e o branco que desejar.

Para activar as funções:

1. mete na tecla relativa à função desejada;
2. o respectivo indicador luminoso acende-se para avisar que a função está activada.

Observação: Se um indicador luminoso acender-se intermitente, significa que a respectiva função não pode ser seleccionada para o programa definido.

### Início posterior

Para programar o início posterior do programa escolhido, carregue várias vezes no botão até visualizar o atraso desejado (de 1 a 24 h).

Para desactivar a função, pressionar o botão até visualizar a escrita *OFF*.

**Obs.:** Depois de ter carregado na tecla INÍCIO/PAUSA, só é possível reduzir o valor do atraso.

! É activo com todos os programas.

### Super lavagem

Graças ao uso de uma maior quantidade de água na fase inicial do ciclo e a uma maior duração, esta função garante uma lavagem de alto desempenho.

! Não pode ser activada nos programas 5, 6, 9, 10, 11, 12, 13, A, B, C.

### Enxaguamento Extra

Seleccionando esta função aumenta-se a eficácia da enxaguamento e garante-se a máxima remoção do detergente. É útil para quem tem a pele particularmente sensível.

! Não pode ser activada nos programas 5, 13, B, C.

### Engomar fácil

Seleccionando esta função, a lavagem e a centrifugação serão oportunamente modificadas para reduzir a formação de rugas. No fim do ciclo, a máquina de lavar roupa efectuará lentas rotações do tambor; o indicador luminoso da função ENGOMAR FÁCIL e aquele de INÍCIO/PAUSA ficarão intermitentes (laranja) e a fase **END** permanecerá acesa fixa. Para terminar o ciclo, carregar no botão INÍCIO/PAUSA ou na tecla "ENGOMAR FÁCIL".

No programa **Seda** a máquina terminará o ciclo com a roupa de molho e o indicador luminoso da função ENGOMAR FÁCIL e aquele de INÍCIO/PAUSA ficarão intermitentes (laranja) e a fase ENXAGUAMENTO permanecerá acesa fixa. Para descarregar a água e poder retirar a roupa é necessário carregar na tecla INÍCIO/PAUSA ou na tecla ENGOMAR FÁCIL.

! Não pode ser activada nos programas 5, 6, 7, 10, 11, 12, 13, B, C.

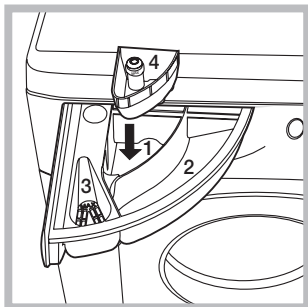
# Detergentes e roupa

PT

## Gaveta dos detergentes

O bom resultado da lavagem depende também do emprego da dose certa de detergente: com excessos não se lava de maneira mais eficaz, mas contribui-se para formar crostas nas peças internas da máquina de lavar roupa e poluir o meio ambiente.

**!** Não use detergentes para lavagem à mão, porque formam espuma demais.



Tire a gaveta dos detergentes e deite o detergente ou o aditivo da seguinte maneira:

### **gaveta 1: Detergente para pré-lavagem (em pó)**

Antes de deitar detergente verifique se há dentro a gaveta adicional 4.

### **gaveta 2: Detergente para lavagem (em pó ou líquido)**

O detergente líquido deve ser deitado somente depois da máquina ter arrancado.

### **gaveta 3: Aditivos (amaciador etc.)**

O aditivo amaciador não deve ultrapassar a grade.

### **gaveta adicional 4: Água de Javel**

## Ciclo para branquear

O branqueamento pode ser efectuado somente com os programas **2, 3, 6**.

Deite a água de javel no recipiente adicional **4**, o detergente e o produto amaciador nos respectivos recipientes, em seguida programar um dos programas acima indicados. É indicado apenas para roupas de algodão muito sujas.

## Preparar a roupa

- Divida a roupa em função:
  - do tipo de tecido / do símbolo na etiqueta.
  - das cores: separe as peças coloridas das brancas.
- Esvazie as algibeiras e verifique se há botões soltos.
- Não ultrapasse os valores indicados que se referem ao peso da roupa enxuta:
  - Tecidos resistentes: máx. 8 kg.
  - Tecidos sintéticos: máx. 4 kg.
  - Tecidos delicados: máx. 2 kg.
  - Lã: máx. 2 kg.

## Quanto pesa a roupa?

- 1 lençol 400 - 500 g.
- 1 fronha 150 - 200 g.
- 1 toalha de mesa 400 - 500 g.
- 1 roupão 900 - 1200 g.
- 1 toalha de rosto 150 - 250 g.

## Peças especiais

**Camisas:** Utilize o programa específico **8** para lavar camisas de vários tipos de tecido e cores.

Garante a máxima limpeza minimizando a formação de dobras.

**Seda:** utilize o programa específico **9** para lavar todas as roupas de seda. Aconselha-se o uso de um detergente específico para tecidos delicados.

**Cortinas:** dobre-as bem e coloque-as dentro de uma fronha ou de um saquinho de rede. Utilize o programa **9**.

**Lã:** é a única máquina de lavar roupa que obteve o prestigioso reconhecimento Woolmark Platinum Care (M0508) por parte da The Woolmark Company, que certifica a lavagem a máquina de todas as roupas de lã, mesmo daquelas com etiqueta "lavar somente à mão" . Com o programa **10** teremos portanto a absoluta tranquilidade de lavar a máquina todas as peças de lã (max. 2 kg) com a garantia das melhores performances.

## Sistema de balanceamento da carga

Antes de cada centrifugação, para evitar vibrações excessivas e para distribuir a carga em modo uniforme, o tambor efectua algumas rotações a uma velocidade levemente superior àquela de lavagem. Se no fim de repetidas tentativas a carga ainda não estiver correctamente balanceada, a máquina efectuará a centrifugação com uma velocidade inferior àquela prevista. No caso de um excessivo desbalanceamento, a máquina de lavar roupa efectuará a distribuição ao invés da centrifugação. Para favorecer uma melhor distribuição da carga e o seu correcto balanceamento, aconselha-se misturar peças grandes com peças pequenas.



# Precauções e conselhos

! Esta máquina de lavar roupa foi projectada e fabricada em conformidade com os regulamentos internacionais de segurança. Estas advertências são fornecidas por razões de segurança e devem ser lidas com atenção.

## Segurança geral

- O aparelho não deve ser utilizado por pessoas (incluindo crianças) com capacidades físicas, sensoriais ou mentais reduzidas ou sem experiência e conhecimentos, salvo se supervisionadas ou se tiverem recebido instruções sobre a utilização do dispositivo por parte de uma pessoa responsável pela sua segurança. As crianças devem ser mantidas sob vigilância para evitar que brinquem com a máquina.
- Este aparelho foi projectado exclusivamente para um uso doméstico.
- Não toque na máquina com os pés descalços nem com as mãos ou os pés molhados ou húmidos.
- Não puxe o cabo eléctrico para tirar a ficha da tomada, pegue a ficha mesmo.
- Não abra a gaveta dos detergentes enquanto a máquina estiver a funcionar.
- Não toque a água de descarga, que poderá chegar a temperaturas altas.
- Em nenhum caso force a porta para abri-la: poderá danificar o mecanismo de segurança que a protege contra aberturas acidentais.
- Se houver avarias, em nenhum caso mexa nos mecanismos internos para tentar reparar.
- Verifique sempre que criança não se aproxime da máquina a funcionar.
- Durante a lavagem a porta de vidro tende a aquecer-se.
- Se for preciso deslocá-la, são precisas pelo menos duas ou três pessoas, com a máxima atenção. Nunca sozinho porque a máquina é muito pesada.
- Antes de colocar a roupa verifique que o tambor esteja vazio.

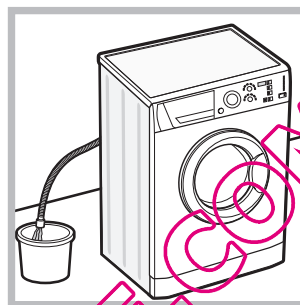
## Eliminação

- Eliminação do material de embalagem: obedeça os regulamentos locais, de maneira que as embalagens possam ser reutilizadas.
- A directiva Europeia 2002/96/CE referente à gestão de resíduos de aparelhos eléctricos e electrónicos, prevê que os electrodomésticos não devem ser escoados no fluxo normal dos resíduos sólidos urbanos. Os aparelhos desactualizados devem ser recolhidos separadamente para otimizar a taxa de recuperação e reciclagem dos materiais que os compõem e impedir potenciais danos para a saúde humana e para o ambiente. O símbolo constituído por um contentor de lixo barrado com uma cruz deve ser colocado em todos os produtos por forma a recordar a obrigatoriedade de recolha separada.

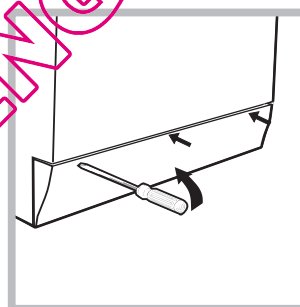
Os consumidores devem contactar as autoridades locais ou os pontos de venda para solicitar informação referente ao local apropriado onde devem depositar os electrodomésticos velhos.

## Abertura manual da porta de vidro

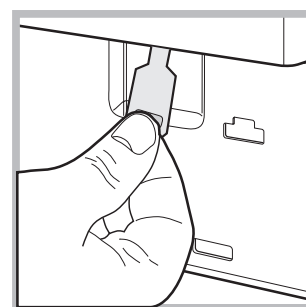
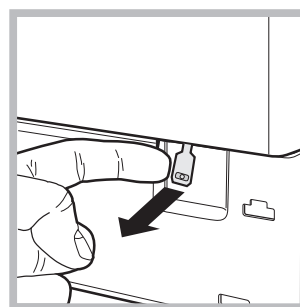
Caso não seja possível abrir a porta de vidro por falta de energia eléctrica e quiser pendurar a roupa lavada, proceda da seguinte maneira:



1. tire a ficha da tomada de corrente.
2. verifique que o nível de água no interior da máquina seja inferior respeito à abertura da porta de vidro; caso contrário, tire a água em excesso através do tubo de descarga recolhendo-a num balde como indicado na figura.



3. tire o painel de cobertura da parte dianteira da máquina de lavar roupa com ajuda de uma chave de fendas (veja a figura).



4. utilizando a lingueta indicada na figura, puxe para o exterior até liberar o tirante de plástico do fecho; puxá-lo sucessivamente para baixo e contemporaneamente abrir a porta.

5. monte outra vez o painel, certifique-se, antes de empurrá-la na máquina, que os ganchos foram colocados nas respectivas ranhuras.

# Manutenção e cuidados

PT

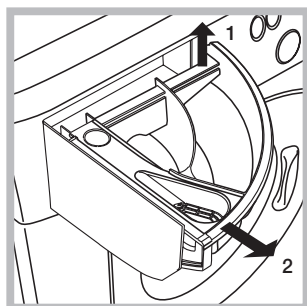
## Interromper a alimentação de água e de corrente eléctrica

- Feche a torneira da água depois de cada lavagem. Desta maneira diminuiu-se o desgaste do sistema hidráulico da máquina de lavar roupa e elimina-se o risco de inundação.
- Tire a ficha da tomada eléctrica quando for limpar a máquina de lavar roupa e durante os trabalhos de manutenção.

## Limpar a máquina de lavar roupa

A parte externa e as peças em borracha podem ser limpas com um pano molhado com água morna e sabão. Não empregue solventes nem abrasivos.

## Limpar a gaveta dos detergentes



Para tirar a gaveta, erga-a e puxe-a para fora (veja a figura).  
Lave-a com água corrente; esta limpeza deve ser efectuada frequentemente.

## Cuidados com a porta de vidro e o tambor

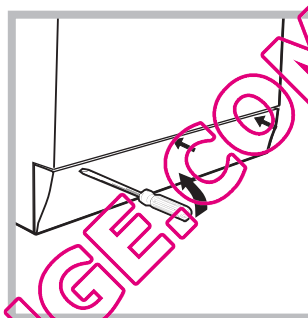
- Deixe a porta sempre entreaberta para evitar que se formem odores desagradáveis.

## Limpar a bomba

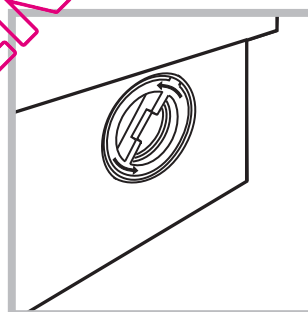
Esta máquina de lavar roupa é equipada com uma bomba com limpeza automática que não precisa de operações de manutenção. Entretanto pode acontecer que pequenos objectos (moedinhas, botões) caiam na pré-câmara que protege a bomba, situada na parte inferior da mesma.

! Certifique-se que o ciclo de lavagem tenha terminado e tire a ficha da tomada.

Para obter acesso à pré-câmara:



1. tire o painel de cobertura da parte dianteira da máquina de lavar roupa com ajuda de uma chave de fendas (veja a figura);



2. desenrosque a tampa girando-a no sentido anti-horário (veja a figura). é normal que perca um pouco de água;

3. limpe o interior com cuidado;
4. enrosque outra vez a tampa;
5. monte outra vez o painel, certifique-se, antes de empurrá-la na máquina, que os ganchos foram colocados nas respectivas ranhuras.

## Verificar o tubo de alimentação de água

Verifique o tubo de alimentação pelo menos uma vez por ano. Se houver rachaduras ou fendas, será necessário substituí-lo: durante as lavagens as fortes pressões podem provocar repentinas quebras.

! Nunca utilize tubos já usados.

# Anomalias e soluções

Pode acontecer que a máquina de lavar roupa não funcione. Antes de telefonar para a Assistência Técnica (veja "Assistência"), verifique se não se trata de um problema fácil de resolver com ajuda da seguinte lista.

## Anomalias:

## Possíveis causas / Solução:

### A máquina de lavar roupa não liga.

- A ficha não está colocada na tomada eléctrica, ou não é suficiente para haver contacto.
- Em casa não há corrente.

### O ciclo de lavagem não inicia.

- A porta de vidro não está bem fechada.
- O botão LIGA/DESLIGA não foi pressionado.
- O botão INÍCIO/PAUSA não foi pressionado.
- A torneira da água não está aberta.
- Foi programado um início posterior (veja as "Personalizações").

### A máquina de lavar roupa não carrega a água (o indicador luminoso da primeira fase de lavagem pisca rapidamente).

- O tubo de alimentação de água não está ligado na torneira.
- O tubo está dobrado.
- A torneira da água não está aberta.
- Está a faltar água em casa.
- Não há suficiente pressão.
- O botão INÍCIO/PAUSA não foi pressionado.

### A máquina de lavar roupa carrega e descarrega água continuamente.

- O tubo de descarga não está instalado entre 65 e 100 cm de altura do chão (veja "Instalação").
  - A ponta do tubo de descarga está imersa na água (veja "Instalação").
  - Da descarga na parede não foi sangrado o ar.
- Se depois destas verificações o problema não for resolvido, feche a torneira da água, desligue a máquina de lavar roupa e chame a assistência técnica. Se a morada encontrar-se nos últimos andares de um edifício, é possível que aconteçam fenómenos de sifão por causa dos quais a máquina de lavar roupa carrega e descarrega água continuamente. Para eliminar este inconveniente, há a disposição no comércio apropriadas válvulas contra o efeito sifão.

### A máquina de lavar roupa não descarrega ou nem realiza centrifugação.

- No programa não há descarga: com alguns programas será necessário iniciar a descarga manualmente.
- Está activa a função ENGOMAR FÁCIL: para completar o programa mete na tecla INÍCIO/PAUSA (veja as "Personalizações").
- O tubo de descarga está dobrado (veja "Instalação").
- A conduta de descarga está entupida.

### A máquina de lavar roupa vibra muito durante a centrifugação.

- O tambor, no momento da instalação, não foi liberado correctamente (veja "Instalação").
- A máquina não está nivelada (veja "Instalação").
- A máquina está apertada entre móveis e parede (veja "Instalação").

### Da máquina de lavar roupa está a perder água.

- O tubo de alimentação da água não está bem enroscado (veja "Instalação").
- O gaveta dos detergentes está entupida (para limpá-la veja "Manutenção e cuidados").
- O tubo de descarga não está fixado correctamente (veja "Instalação").

### O indicador luminoso INÍCIO/PAUSA (laranja) e os indicadores das funções piscam rapidamente.

- Desligue a máquina e tire a ficha da tomada, aguarde aproximadamente 1 minuto e volte a ligá-la.  
Se a anomalia persistir, contacte a Assistência Técnica.

### Está a formar-se demasiada espuma.

- O detergente não é específico para máquina de lavar roupa (deve haver a escrita "para máquina de lavar", "à mão e para máquina de lavar" ou similares).
- A dose foi excessiva.

# Assistência

---

PT

## **Antes de contactar a Assistência Técnica:**

- Verifique se consegue resolver a anomalia sozinho (veja “Anomalias e soluções”);
- Reinicie o programa para verificar se o inconveniente foi resolvido;
- Em caso negativo, contacte a o Centro de Assistência técnica autorizada no número de telefone indicado no certificado de garantia.

! Nunca recorra a técnicos não autorizados.

## **Comunique:**

- o tipo de anomalia;
- o modelo da máquina (Mod.);
- o número de série (S/N).

Estas informações encontram-se na placa colocada na parte traseira da máquina de lavar roupa e na parte anterior abrindo a porta de vidro.

QUELLAVELINGE.COM

DE

Deutsch

ECO8F 1292

### INHALTSVERZEICHNIS

#### Installation, 62-63

Auspacken und Aufstellen  
Wasser- und Elektroanschlüsse  
Erster Waschgang  
Technische Daten

#### Beschreibung des Waschvollautomaten und Starten eines Waschprogramms, 64-65

Bedienblende  
Kontrollleuchten  
Starten eines Waschprogramms

#### Waschprogramme, 66

Programmtabelle

#### Personalisierungen, 67

Temperatureinstellung  
Schleudereinstellung  
Funktionen

#### Waschmittel und Wäsche, 68

Waschmittelschublade  
Bleichen  
Vorsortieren der Wäsche  
Besondere Wäscheteile  
Unwuchtkontrollsystem

#### Vorsichtsmaßnahmen und Hinweise, 69

Allgemeine Sicherheit  
Entsorgung  
Manuelles Öffnen der Gerätetür

#### Reinigung und Pflege, 70

Abstellen der Wasser- und Stromversorgung  
Reinigung des Gerätes  
Reinigung der Waschmittelschublade  
Pflege der Gerätetür und Trommel  
Reinigung der Pumpe  
Kontrolle des Wasserzulaufschlauchs

#### Störungen und Abhilfe, 71

#### Kundendienst, 72

DE

QUELLAVELLENGE.COM

# Installation

DE

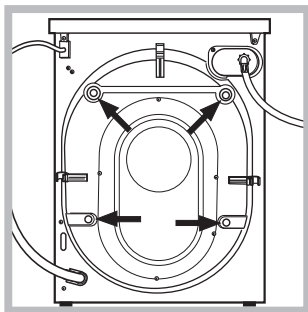
! Es ist äußerst wichtig, diese Bedienungsanleitung sorgfältig aufzubewahren, um sie jederzeit zu Rate ziehen zu können. Sorgen Sie dafür, dass sie im Falle eines Umzugs oder einer Übergabe an einen anderen Benutzer das Gerät stets begleitet, damit auch der neue Inhaber die Möglichkeit hat, diese zu Rate zu ziehen.

! Lesen Sie die Hinweise bitte aufmerksam durch, sie liefern wichtige Informationen hinsichtlich der Installation, des Gebrauchs und der Sicherheit.

## Auspacken und Aufstellen

### Auspacken

1. Gerät auspacken.
2. Sicherstellen, dass der Waschvollautomat keine Transportschäden erlitten hat. Im Falle einer Beschädigung Gerät bitte nicht anschließen, sondern den Kundendienst anfordern.



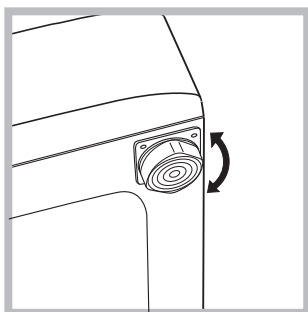
3. Die 4 Transportschutzschrauben heraus-schrauben und die an der Geräterückwand befindlichen Distanzstücke aus Gummi entfernen (siehe Abbildung).

4. Die Öffnungen mittels der mitgelieferten Abdeckungen verschliessen.
5. Sämtliche Teile aufbewahren: Sollte der Waschautomat erneut transportiert werden, müssen diese Teile wieder eingesetzt werden.

! Verpackungsmaterial ist kein Spielzeug für Kinder.

### Nivellierung

1. Der Waschvollautomat muss auf einem ebenen, festen, schwingungsfreien Untergrund aufgestellt werden ohne diesen an Wände, Möbel etc. direkt anzulehnen.

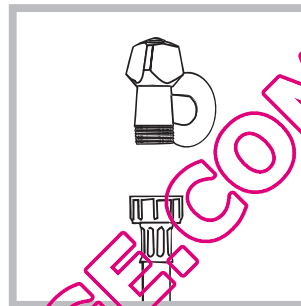


2. Sollte der Boden nicht perfekt eben sein, müssen die Unebenheiten durch An- bzw. Ausdrehen der vorderen Stellfüße ausgeglichen werden (siehe Abbildung), der auf der Arbeitsfläche zu ermittelnde Neigungsgrad darf 2° nicht überschreiten. Eine präzise Nivellierung

verleiht dem Gerät die erforderliche Stabilität, durch die Vibrationen, Betriebsgeräusche und ein Verrücken des Gerätes vermieden werden. Bei Teppichböden müssen die Stellfüße so reguliert werden, dass ein ausreichender Freiraum zur Belüftung unter dem Waschvollautomaten gewährleistet ist.

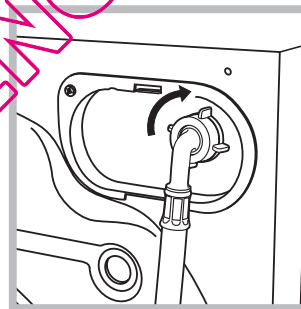
## Wasser- und Elektroanschlüsse

### Anschluss des Zulaufschlauches



1. Schrauben Sie den Wasserschlauch an einen Kaltwasserhahn mit 3/4-GAS-Gewindeanschluss an (siehe Abb.).

Lassen Sie das Wasser vor dem Anschluss so lange auslaufen, bis klares Wasser austritt.



2. Das andere Ende des Schlauches an den oben rechts am Rückteil des Waschvollautomaten befindlichen Wasseranschluss anschließen (siehe Abbildung).

3. Der Schlauch darf hierbei nicht eingeklemmt oder abgknickt werden.

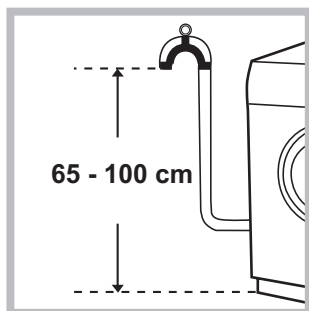
! Der Wasserdruck muss innerhalb der Werte liegen, die in der Tabelle der technischen Daten angegeben sind (siehe nebenstehende Seite).

! Sollte der Zulaufschlauch nicht lang genug sein, dann wenden Sie sich bitte an einen Fachhändler oder an einen autorisierten Fachmann.

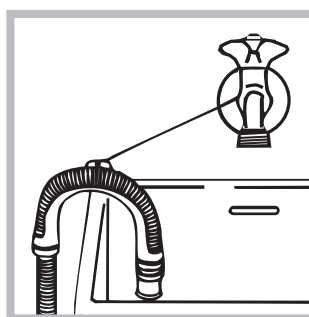
! Verwenden Sie niemals bereits gebrauchte Schläuche.

! Verwenden Sie die Schläuche, die mit dem Gerät geliefert wurden.

## Anschluss des Ablaufschlauches



Schließen Sie den Ablaufschlauch ohne ihn dabei abzuknicken an einen geeigneten Abfluss an. Die Mindestablaufhöhe beträgt 65 - 100 cm (gemessen vom Boden), oder hängen Sie diesen mittels des Schlauchhalters gesichert in ein Becken oder Wanne ein;



Befestigen Sie diesen mittels des mitgelieferten Schlauchhalters z.B. an einen Wasserhahn (siehe Abbildung). Das freie Ablaufschlauchende darf nicht unter Wasser positioniert werden.

! Verlängerungsschläuche sollten nicht eingesetzt werden. Sollte dies unvermeidlich sein, muss die Verlängerung denselben Durchmesser des Originalschlauchs aufweisen und darf eine Länge von 150 cm nicht überschreiten.

## Stromanschluss

Vor Einfügen des Netzsteckers in die Steckdose ist sicherzustellen, dass:

- die Steckdose über eine normgerechte Erdung verfügt;
- die Steckdose die in den Technischen Daten angegebenen Höchstlast des Gerätes trägt (siehe nebenstehende Tabelle);
- die Stromspannung den in den Technischen Daten angegebenen Werten entspricht (siehe nebenstehende Tabelle);
- die Steckdose mit dem Netzstecker des Waschvollautomaten kompatibel ist. Andernfalls muss der Netzstecker (oder die Steckdose) ersetzt werden.

! Der Waschvollautomat darf nicht im Freien installiert werden, auch nicht, wenn es sich um einen geschützten Platz handelt. Es ist gefährlich, das Gerät Gewittern und Unwettern auszusetzen.

! Die Steckdose sollte nach installiertem Gerät leicht zugänglich sein.

! Verwenden Sie bitte keine Verlängerungen oder Mehrfachstecker.

! Das Netzkabel darf nicht gebogen bzw. eingeklemmt werden.

! Das Versorgungskabel darf nur durch autorisierte Fachkräfte ausgetauscht werden.

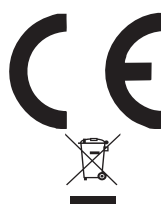
Achtung! Der Hersteller übernimmt keinerlei Haftung, sollten diese Vorschriften nicht genau beachtet werden.

## Erster Waschgang

Lassen Sie nach der Installation bzw. vor erstmaligem Gebrauch erst einen Waschgang (mit Waschmittel) ohne Wäsche durchlaufen. Stellen Sie hierzu das Waschprogramm 2 ein.

## Technische Daten

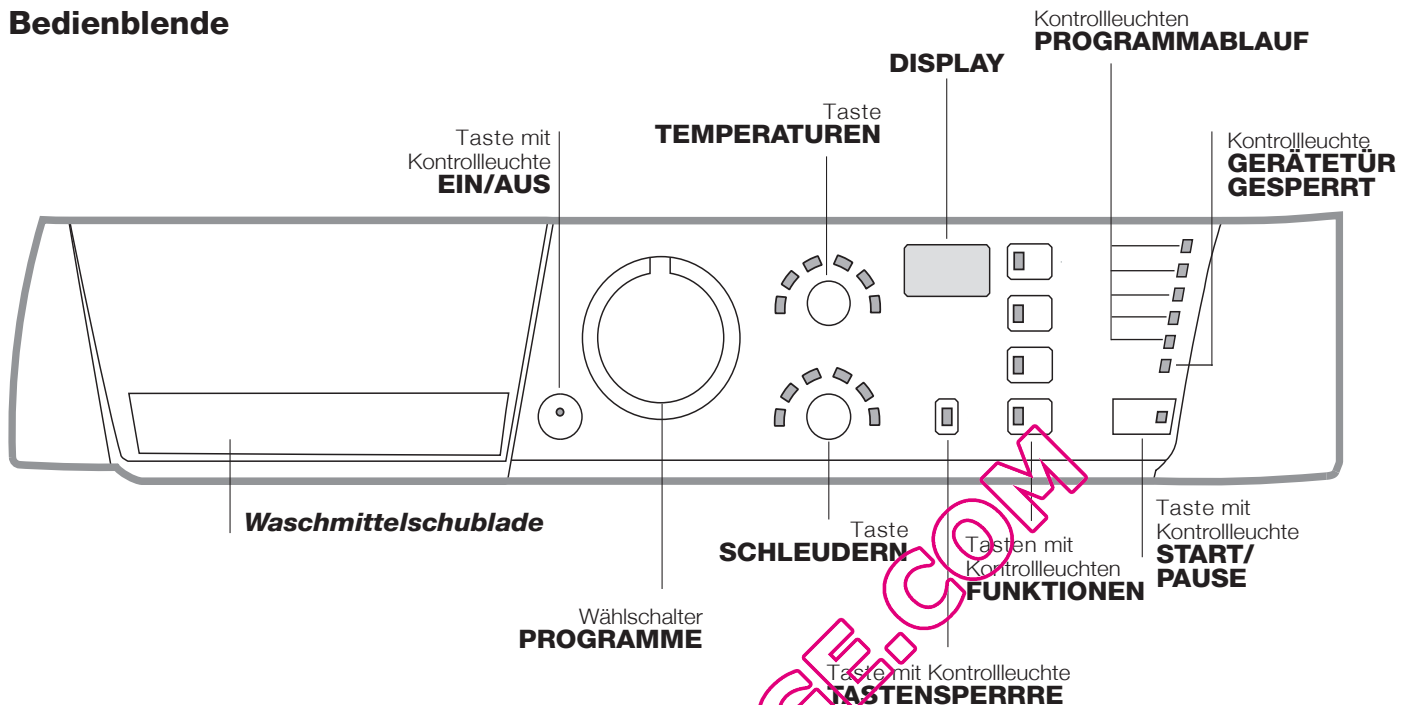
<b>Modell</b>	ECO8F 1292
<b>Abmessungen</b>	Breite 59,5 cm Höhe 85 cm Tiefe 60 cm
<b>Fassungsvermögen</b>	1 bis 8 kg
<b>Elektroanschlüsse</b>	Siehe das am Gerät befindliche Typenschild.
<b>Wasseranschlüsse</b>	Höchstdruck 1 MPa (10 bar) Mindestdruck 0,05 MPa (0,5 bar) Trommelvolumen 62 Liter
<b>Schleudertouren</b>	bis zu 1200 U/min.
<b>Prüfprogramme gemäß EN 60456</b>	Programm 6; Temperatur 60°C; bei einer Lademenge von 8 kg.



Dieses Gerät entspricht den folgenden EG-Richtlinien:  
- 2004/108/CE (elektromagnetische Verträglichkeit)  
- 2006/95/CE (Niederspannung)  
- 2002/96/CE

# Beschreibung des Waschvollautomaten und Starten eines Waschprogramms

## Bedienblende



**Waschmittelschublade:** für Waschmittel und Zusätze (siehe „Waschmittel und Wäsche“).

Taste mit Kontrollleuchte **EIN/AUS:** Zum Ein- und Ausschalten Ihres Gerätes. Die eingeschaltete Kontrollleuchte zeigt an, dass das Gerät eingeschaltet ist.

Wählschalter **PROGRAMME:** Zur Wahl der Waschprogramme. Während des Programmablaufs bleibt der Schalter feststehend.

Taste **SCHLEUDERN:** oder um das Schleudern auszuschliessen (siehe „Personalisierungen“).

Taste **TEMPERATUREN:** Zur Einstellung der Waschttemperatur oder einer Kaltwäsche (siehe „Personalisierungen“).

**DISPLAY:** Auf diesem wird die Restzeit des eingestellten Waschgangs angezeigt und falls eine Startzeit vorgewählt wurde, die noch bis zum Start des Waschprogramms verbleibende Zeit.

Taste mit Kontrollleuchte **TASTENSPERRRE:** Zur Aktivierung bzw. Deaktivierung der Bedienblendensperre.

Tasten mit Kontrollleuchten **FUNKTIONEN:** Zur Einstellung der verfügbaren Funktionen. Die der gewählten Einstellung entsprechende Kontrollleuchte bleibt eingeschaltet.

Kontrollleuchten **PROGRAMMABLAUF:** Zur Kontrolle des Waschprogrammablaufs. Die eingeschaltete Kontrollleuchte zeigt die laufende Programmphase an.

Kontrollleuchte **GERÄTETÜR GESPERRT:** Diese Taste zeigt an, ob die Gerätetür geöffnet werden kann oder nicht (siehe *Nebenseite*).

Taste mit Kontrollleuchte **START/PAUSE:** Mittels dieser Taste werden die Waschprogramme gestartet oder kurz unterbrochen.

**NB:** Durch Drücken dieser Taste, kann das Waschprogramm zeitweilig unterbrochen werden (Pause). Die entsprechende Kontrollleuchte schaltet auf orangefarbenes Blinklicht, die Kontrollleuchte der bestehenden Programmphase dagegen schaltet auf Dauerlicht. Sobald die Kontrollleuchte GERÄTETÜR GESPERRT erlischt, kann die Gerätetür geöffnet werden.

Um das Programm an der Stelle, an der es unterbrochen wurde, wieder in Gang zu setzen, drücken Sie diese Taste erneut.

### Funktion Standby

Zur Erfüllung der neuen Richtlinien zum Energieverbrauch ist diese Waschmaschine mit einem automatischen Ausschaltsystem (Standby) ausgestattet, das nach 30 Minuten des Nichtgebrauchs in Funktion tritt. Drücken Sie kurz die Taste EIN/AUS und warten Sie, bis sich die Maschine wieder einschaltet.



## Kontrollleuchten

Die Kontrollleuchten liefern wichtige Hinweise. Sie signalisieren:

### Laufende Programmphase

Wird der Wahlschalter PROGRAMME gedreht, leuchten die jeweiligen Kontrollleuchten auf und zeigen so die Programmphasen an, die das Gerät auf der Grundlage der Programmwahl durchführen wird.

Wurde das Waschprogramm gewählt und gestartet, leuchten die Kontrollleuchten nach und nach auf, und zeigen so den jeweiligen Programmstand an.

Hauptwäsche



Spülen



Schleudern



Abpumpen



Ende des Waschgangs



### Funktionstasten und entsprechende Kontrollleuchten

Nach der Wahl einer Funktion leuchtet die entsprechende Taste auf.

Ist die gewählte Funktion nicht vereinbar mit dem eingestellten Programm, schaltet die entsprechende Kontrollleuchte auf Blinklicht, es ertönt ein akustisches Signal und die Funktion wird nicht aktiviert.

Wird eine Funktion eingestellt, die zu der bereits eingestellten nicht zugeschaltet werden kann, bleibt nur die zuletzt gewählte aktiv.

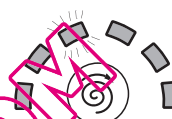
### Kontrollleuchte Temperaturen

Nach der Wahl eines Temperaturwertes leuchtet die entsprechende Taste auf.



### Kontrollleuchte Schleudern

Nach der Wahl einer Schleuderleistung leuchtet die entsprechende Taste auf.



### Kontrollleuchte Tastensperre

Zur "Aktivierung" der Sperre der Bedienblende halten Sie die Taste ca. 2 Sekunden lang gedrückt. Die eingeschaltete Kontrollleuchte zeigt an, dass die Bedienblende gesperrt ist. Auf diese Weise wird verhindert, dass ein Programm ungewollt geändert wird und dient somit vor allem als Kindersicherung.

Zur "Deaktivierung" der Sperre der Bedienblende halten Sie die Taste ca. 2 Sekunden lang gedrückt.

### Kontrollleuchte Gerätetür gesperrt:

Ist diese Kontrollleuchte eingeschaltet, bedeutet dies, dass die Gerätetür gesperrt ist, um ungewolltes Öffnen zu vermeiden; warten Sie, bis die Leuchte erlischt, bevor Sie die Gerätetür öffnen, um Schäden zu vermeiden.

**NB:** Die Gerätetür kann nicht geöffnet werden, wenn die Funktion "Startzeitvorwahl" aktiviert wurde. Um sie zu öffnen, drücken Sie die Taste START/PAUSE.

**!** Das rasche Blinken der Kontrollleuchte START/PAUSE (orange) bei gleichzeitigem Blinken der Funktionleuchten signalisiert eine Gerätestörung (siehe „Störungen und Abhilfe“).

## Starten eines Waschprogramms

1. Schalten Sie das Gerät über die EIN/AUS-Taste ein. Sämtliche Kontrollleuchten leuchten für einige Sekunden auf, dann bleiben die Kontrollleuchten der Einstellungen des ausgewählten Programms eingeschaltet und die Kontrollleuchte START/PAUSE schaltet auf Blinklicht.
2. Füllen Sie die Wäsche ein, und schließen Sie die Gerätetür.
3. Stellen Sie mittels des Wahlschalters PROGRAMME das gewünschte Programm ein.
4. Stellen Sie die Waschtemperatur ein (siehe „Personalisierungen“).
5. Stellen Sie die Schleuderstufe ein (siehe „Personalisierungen“).
6. Füllen Sie Waschmittel und Zusätze ein (siehe „Waschmittel und Wäsche“).
7. Wählen Sie die gewünschten Funktionen.
8. Setzen Sie das Programm in Gang. Drücken Sie hierzu die Taste START/PAUSE. Die entsprechende Kontrollleuchte bleibt eingeschaltet (grünes Dauerlicht). Um die Waschprogramm-Einstellung rückgängig zu machen, muss das Gerät auf Pause geschaltet werden. Drücken Sie hierzu die Taste START/PAUSE. Wählen Sie daraufhin das neue Programm.
9. Nach Ablauf des Waschprogramms leuchtet die Kontrollleuchte END auf. Die Kontrollleuchte TÜR GESPERRT erlischt, was bedeutet, dass die Gerätetür geöffnet werden kann. Nehmen Sie die Wäsche aus der Maschine und lassen Sie die Gerätetür leicht offen stehen, damit die Trommel trocknen kann. Schalten Sie den Waschvollautomaten durch Drücken der EIN/AUS-Taste aus.

# Waschprogramme

## Programmtabelle

Waschprogramm	Beschreibung des Programms	Max. Temperatur (°C)	Max. Schleuder-Geschwindigkeit (U/min)	Waschmittel				Max. Beladungsmenge (kg)	Programmdauer	
				Vorwusch	Bleichmittel	Hauptwäsche	Weichspüler			
<b>Programme für die tägliche Wäsche</b>										
1	<b>Baumwolle + Vorwasche 90°C:</b> stark verschmutzte Weiß- und farbechte Buntwäsche.	90°	1200	●	-	●	●	8	Die Waschzeitdauer kann auf dem Display abgelesen werden.	
2	<b>Baumwolle:</b> stark verschmutzte Weiß- und farbechte Buntwäsche.	60°	1200	-	●	●	●	8		
2	<b>Baumwolle (2):</b> leicht verschmutzte Weiß- und empfindliche Buntwäsche.	40°	1200	-	●	●	●	8		
3	<b>Baumwolle-Buntwäsche (3):</b> leicht verschmutzte Weißwäsche und empfindliche Buntwäsche.	40°	1200	-	●	●	●	8		
4	<b>Synthetik:</b> stark verschmutzte, farbechte Buntwäsche.	60°	800	-	-	●	●	4		
4	<b>Synthetik:</b> leicht verschmutzte farbechte Buntwäsche.	40°	800	-	-	●	●	4		
5	<b>Mix 15':</b> zum kurzen Auffrischen leicht verschmutzter Wäsche (nicht geeignet für Wolle, Seide und Handwäsche).	30	800	-	-	●	●	1,5		
<b>Spezialprogramme</b>										
6	<b>Hygiene zyklus 90°C:</b> stark verschmutzte Weißwäsche.	90°	1200	-	●	●	●	8		
6	<b>Hygiene zyklus 90°C (1):</b> stark verschmutzte Weiß- und farbechte Buntwäsche.	60°	1200	-	-	●	●	8		
7	<b>Gute Nacht:</b> leicht verschmutzte empfindliche Buntwäsche.	40°	800	-	-	●	●	4		
8	<b>Oberhemden</b>	40°	600	-	-	●	●	2		
9	<b>Seide/Gardinen:</b> kleidungsstücke aus Seide, Viskose und Feinwäsche.	30°	600	-	-	●	●	2		
10	<b>Wolle:</b> wolle, Kaschmir usw.	40°	600	-	-	●	●	2		
<b>Programme Eco</b>										
11	Baumwolle	kaltes Wasser	1200	-	-	●	●	8		
12	Synthetik	kaltes Wasser	800	-	-	●	●	3		
13	Kurz 30'	kaltes Wasser	800	-	-	●	●	3		
<b>Teilprogramme</b>										
A	Spülen	-	1200	-	-	-	●	8		
B	Schleudern	-	1200	-	-	-	-	8		
C	Abpumpen	-	0	-	-	-	-	8		

Bei den in der Tabelle angegebenen Daten handelt es sich um Richtwerte.

Für alle Testinstitute:

- 1) Prüfprogramm gemäß EN 60456. Programm 6 und eine Temperatur von 60°C einstellen.
- 2) Langes Baumwollprogramm: Programm 2 und eine Temperatur von 40°C einstellen.
- 3) Kurzes Baumwollprogramm: Programm 3 und eine Temperatur von 40°C einstellen.

### Sonderprogramme




**Mix 15'** (Programm 5) Kurzprogramm für die Wäsche leicht verschmutzter Teile: in nur 15 Minuten, zur Einsparung von Zeit und Energie. Stellen Sie dieses Waschprogramm (5 bei 30°C) ein, dann können, bei einer maximalen Lademenge von 1,5 kg, Gewebe unterschiedlicher Art (mit Ausnahme von Wolle und Seide) zusammen gewaschen werden.

**Hygiene zyklus** (Programm 6). Ein Programm zur Hygienisierung bei hohen Temperaturen, welches Bleichmittel und eine Waschttemperatur von mehr als 60°C vorsieht. Geben Sie das Bleichmittel, das Waschmittel und die Zusätze in die entsprechenden Kammern (siehe Absatz „Waschmittelschublade“).

**Gute Nacht** (Programm 7). Ein Flüsterprogramm, das nachts und demnach bei verbilligtem Nachttarif arbeiten kann. Das Programm wurde für Wäsche aus Kunstfasern und Baumwolle konzipiert. Nach Ablauf des Waschgangs stoppt die Maschine, ohne das Wasser abzupumpen. Um die Schleuder und den Wasserablauf in Gang zu setzen drücken Sie die Taste START/PAUSE, andernfalls setzt die Maschine nach Ablauf von 8 Stunden die Schleuder automatisch in Gang und pumpt das Wasser ab.

### Programme Eco

Die Programme Eco bieten gute Waschleistungen bei niedrigen Temperaturen, was sich in einem geringeren Energieverbrauch zu Gunsten der Umwelt und der Ersparnis auswirkt.

Die Programme Eco (Baumwolle , Synthetik , Kurz 30' ) wurden für unterschiedliche Gewebearten und für wenig verschmutzte Wäsche entwickelt.

Für ein optimales Resultat empfehlen wir, ein Flüssigwaschmittel zu verwenden und Manschetten, Kragen und Flecken vorzubehandeln.

# Personalisierungen

## Temperatureinstellung

Durch Drücken der Taste „TEMPERATUREN“, um die Waschttemperatur einzustellen (siehe *Programmtabelle*).

Die Temperatur kann bis auf Kaltwäsche (❄️) herabgesetzt werden.

Der Waschvollautomat verhindert automatisch die Einstellung einer höheren Schleuderstufe, sollte diese die für das jeweilige Programm vorgeschriebene Höchstgeschwindigkeit übersteigen.

## Schleudereinstellung

Durch Drücken der Taste SCHLEUDER wird die Schleudergeschwindigkeit des gewählten Waschprogramms eingestellt.

Folgende Höchstgeschwindigkeiten sind für die einzelnen Programme vorgesehen:

Waschprogramme	Höchstgeschwindigkeit
Baumwolle	1200 U/min
Kunstfasern	800 U/min
Wolle	600 U/min
Seide	nur Wasserablauf

Die Schleudergeschwindigkeit kann herabgesetzt werden. Durch Wahl des Symbols  kann die Schleuder gänzlich ausgeschlossen werden.

Der Waschvollautomat verhindert automatisch ein stärkeres Schleudern, sollte dieses die für das jeweilige Programm vorgeschriebene Höchstgeschwindigkeit übersteigen.

## Funktionen

Die verschiedenen Waschfunktionen, die Ihnen Ihr Waschvollautomat bietet, ermöglichen es Ihnen, hygienisch saubere und weiße Wäsche zu erhalten, die Ihren Wünschen entspricht.

Aktivierung der Funktionen:

1. Drücken Sie die Taste, die der gewünschten Funktion entspricht.
2. Das Aufleuchten der entsprechenden Kontrollleuchte zeigt an, dass die Funktion aktiviert wurde.

Anmerkung: Sollte die Kontrollleuchte jedoch auf rasches Blinklicht schalten, dann bedeutet dies, dass die Funktion zu dem eingestellten Programm nicht zugeschaltet werden kann.

### Startzeitvorwahl

Zur Vorwahl der Startzeit des eingestellten Programms drücken Sie mehrmals die Taste, bis die gewünschte Zeitverschiebung (1 bis 24 Std.) angezeigt wird.

Zur Deaktivierung der Funktion drücken Sie die Taste, bis die Anzeige **OFF** erscheint.

**N.B.:** Ist die Taste START/PAUSE einmal gedrückt, kann die gewählte Zeitverschiebung nur noch verkürzt werden.

! Obiges gilt für alle Programme.

### Super wash

Dank der Erhöhung der Wassermenge sowie der Waschdauer in der Anfangsphase des Waschvorgangs, garantiert diese Funktion beste Waschergebnisse.

! Diese Funktion kann zu den Programmen 5, 6, 9, 10, 11, 12, 13, A, B, C, nicht zugeschaltet werden.

### Extra Spülgang

Wählen Sie diese Funktion, wird die Spülwirkung erhöht, und somit ein optimales Ausspülen des Waschmittels garantiert. Dies ist besonders angezeigt bei sehr empfindlicher Haut bzw. Waschmittelallergien.

! Diese Funktion kann zu den Programmen 5, 13, B, C, nicht zugeschaltet werden.

### Bügelleicht

Wird diese Funktion eingestellt, werden Waschgang und Schleuder entsprechend geändert, um Knitterbildung zu vermeiden. Am Ende des Waschgangs erfolgen langsame Umdrehungen der Trommel; die Kontrollleuchte der Funktion BÜGELLEICHT und die der Funktion START/PAUSE blinken (orangefarben), die der Phase **END** bleibt auf Dauerlicht eingeschaltet. Um den Waschgang abzuschließen, drücken Sie die Taste START/PAUSE oder die Taste BÜGELLEICHT.

Wird das Programm **Seide** eingestellt, unterbricht Ihr Gerät das Programm, ohne das Wasser abzupumpen, die Kontrollleuchte der Funktion BÜGELLEICHT und die der Funktion START/PAUSE blinken (orangefarben), die der Phase SPÜLEN bleibt auf Dauerlicht eingeschaltet. Zum Abpumpen des Wassers und um die Wäsche herausnehmen zu können, muss die Taste START/PAUSE, oder die Taste „BÜGELLEICHT“ gedrückt werden.

! Diese Funktion kann zu den Programmen 5, 6, 7, 10, 11, 12, 13, B, C, nicht zugeschaltet werden.

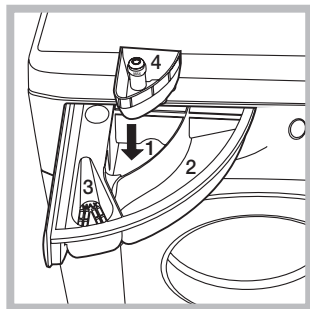
# Waschmittel und Wäsche

DE

## Waschmittel und Wäsche

Ein gutes Waschergebnis hängt auch von einer korrekten Waschmitteldosierung ab: Eine zu hohe Dosierung bedeutet nicht unbedingt reinere Wäsche, sie trägt nur dazu bei, die Maschineninnenteile zu verkrusten und die Umwelt zu belasten.

! Verwenden Sie keine Handwaschmittel, sie verursachen eine zu hohe Schaumbildung.



Schublade herausziehen und Waschmittel oder Zusätze wie folgt einfüllen:

### In Kammer 1: Waschpulver für die Vorwäsche (Waschpulver)

Vergewissern Sie sich vor Einfüllen des Waschmittels, dass die Zusatzkammer 4 nicht eingesetzt wurde.

### In Kammer 2: Waschmittel für die Hauptwäsche (Waschpulver oder Flüssigwaschmittel)

Flüssigwaschmittel nur kurz vor dem Start einfüllen.

### In Kammer 3: Zusätze (Weichspüler usw.)

Der Weichspüler darf das Gitter nicht übersteigen.

### Zusätzliche Kammer 4: Bleichmittel

## Bleichen

Bleichen ist nur bei den Programmen **2, 3, 6** möglich. Füllen Sie das Bleichmittel in die Dosierkammer **4** ein, und das Waschmittel und den Weichspüler in die entsprechenden Dosierkammern. Stellen Sie dann eines der obigen Programme ein.

Diese Funktion eignet sich nur für stark verschmutzte Baumwollwäsche.

## Vorsortieren der Wäsche

- Sortieren Sie die Wäsche nach:
  - Gewebeat / Waschetikettensymbol.
  - und Farben: Buntwäsche von Weißwäsche trennen.
- Entleeren Sie alle Taschen.
- Das angegebene Gewicht, das sich auf die maximale Ladung an Trockenwäsche bezieht, sollte nicht überschritten werden:
  - Widerstandsfähige Gewebe: max 8 kg
  - Kunstfasergewebe: max 4 kg
  - Feinwäsche: max 2 kg
  - Wolle: max 2 kg

## Wie schwer ist Wäsche?

- 1 Betttuch 400-500 gr
- 1 Kissenbezug 150-200 gr
- 1 Tischdecke 400-500 gr
- 1 Bademantel 900-1.200 gr
- 1 Handtuch 150-250 gr


## Besondere Wäscheteile

**Oberhemden:** Wählen Sie das Spezialprogramm **8** zum Waschen von Oberhemden jeglicher Gewebeat und Farbe.

Es gewährleistet höchste Pflege und weitgehende Vermeidung von Faltenbildung.

**Seide:** Wählen Sie das Spezialprogramm **9** zum Waschen aller Kleidungs- bzw. Wäschestücke aus Seide. Es empfiehlt sich der Einsatz von Feinwaschmittel.

**Gardinen:** Gardinen zusammengefaltet in einem Kissenbezug oder in einem netzartigen Beutel waschen. Stellen Sie das Programm **9** ein.

**Wolle:** Der Waschvollautomat von ist der einzige, der mit dem „Woolmark Platinum Care“-Siegel (M.0508) von The Woolmark Company ausgezeichnet wurde. Dieses bestätigt die schonende Maschinenwäsche aller Kleidungsstücke aus Wolle, auch solcher, die das Etikett „nur Handwäsche“  tragen. Mit dem Programm **10** lässt sich also sämtliche Wollwäsche (max. 2 kg) bedenkenlos waschen, wobei beste Resultate gewährleistet sind.

## Unwuchtkontrollsystem

Um starke Vibrationen oder eine Unwucht beim Schleudern zu vermeiden, verfügt das Gerät über ein Schleudrunwuchtsystem. Die Waschladung wird durch eine erhöhte Rotation der Trommel als die des Waschganges ausbalanciert. Sollte die Wäscheladung nach Ablauf mehrerer Versuche immer noch nicht korrekt verteilt sein, schleudert das Gerät die Wäsche bei einer niedrigeren Geschwindigkeit als die der vorgesehenen Schleudergeschwindigkeit. Sollte die Wäsche extrem ungleichmäßig verteilt sein, führt das Gerät anstelle des Schleuderganges einen Wäscheverteilungs-Zyklus durch. Um eine optimale Verteilung der Wäscheladung und somit eine korrekte Auswuchtung zu fördern, sollten große und kleine Wäscheteile gemischt eingefüllt werden.

# Vorsichtsmaßnahmen und Hinweise

! Der Waschvollautomat wurde nach den strengsten internationalen Sicherheitsvorschriften entworfen und gebaut. Nachstehende Hinweise werden aus Sicherheitsgründen geliefert und sollten aufmerksam gelesen werden.

## Allgemeine Sicherheit

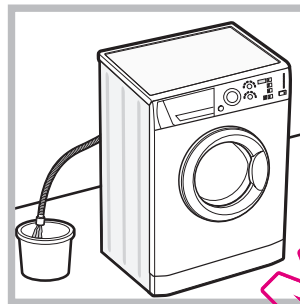
- Dieses Gerät ist nicht zur Verwendung durch Personen (einschließlich Kinder) mit eingeschränkten körperlichen, geistigen oder sensorialen Fähigkeiten oder ohne ausreichende Erfahrung und Kenntnis geeignet, es sei denn, sie werden durch eine für ihre Sicherheit verantwortliche Person beaufsichtigt und eingewiesen. Kinder müssen beaufsichtigt werden, um sicherzustellen, dass sie nicht mit dem Gerät spielen.
- Dieses Gerät wurde ausschließlich für den Einsatz im privaten Haushalt konzipiert.
- Berühren Sie das Gerät nicht, wenn Sie barfuß sind, und auch nicht mit nassen oder feuchten Händen oder Füßen.
- Ziehen Sie den Gerätestecker nicht am Kabel aus der Steckdose, sondern nur am Netzstecker selbst.
- Öffnen Sie die Waschmittelschublade nicht, wenn das Gerät in Betrieb ist.
- Berühren Sie nicht das Ablaufwasser, es könnte sehr heiß sein.
- Öffnen Sie die Gerätetür nicht mit Gewalt: Der Sicherheits-Schließmechanismus könnte hierdurch beschädigt werden.
- Bei etwaigen Störungen versuchen Sie bitte nicht, Innenteile selbst zu reparieren.
- Halten Sie Kinder stets von dem in Betrieb befindlichen Gerät fern.
- Während des Waschganges kann die Gerätetür sehr heiß werden.
- Muss das Gerät versetzt werden, sollten hierfür zwei oder drei Personen verfügbar sein. Versetzen Sie es niemals allein, das Gerät ist äußerst schwer.
- Bevor Sie die Wäsche einfüllen, stellen Sie bitte sicher, dass die Wäschetrommel leer ist.

## Entsorgung

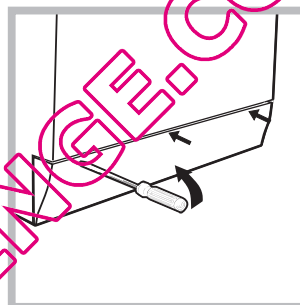
- Entsorgung des Verpackungsmaterials: Befolgen Sie die lokalen Vorschriften, Verpackungsmaterial kann wiederverwertet werden.
- Gemäß der Europäischen Richtlinie 2002/96/EC über Elektro- und Elektronik-Altgeräte dürfen Elektrohaushalts-Altgeräte nicht über den herkömmlichen Haushaltsmüllkreislauf entsorgt werden. Altgeräte müssen separat gesammelt werden, um die Wiederverwertung und das Recycling der beinhalteten Materialien zu optimieren und die Einflüsse auf die Umwelt und die Gesundheit zu reduzieren. Das Symbol „durchgestrichene Mülltonne“ auf jedem Produkt erinnert Sie an Ihre Verpflichtung, dass Elektrohaushaltsgeräte gesondert entsorgt werden müssen. Endverbraucher können sich an Abfallämter der Gemeinden wenden, um mehr Informationen über die korrekte Entsorgung ihrer Elektrohaushaltsgeräte zu erhalten.

## Manuelles Öffnen der Gerätetür

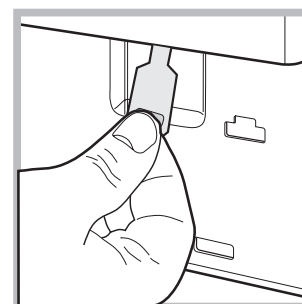
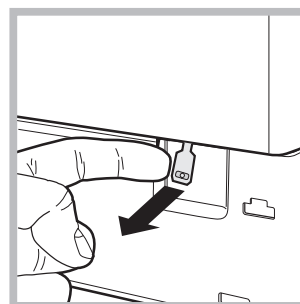
Sollte die Gerätetür aufgrund eines Stromausfalls nicht geöffnet werden können, gehen Sie wie folgt vor, um die Wäsche entnehmen und somit aufhängen zu können:



1. Ziehen Sie den Netzstecker aus der Steckdose.
2. Stellen Sie sicher, dass der Wasserstand im Innern des Gerätes die Gerätetür nicht übersteigt, andernfalls lassen Sie das überschüssige Wasser, so wie auf der *Abbildung* veranschaulicht, durch den Abflauschlauch in einen Eimer ablaufen.



3. Nehmen Sie die Abdeckung (befindlich an der Gerätefront) mit Hilfe eines Schraubenziehers ab (*siehe Abbildung*).



4. Befreien Sie mithilfe der auf der *Abbildung* veranschaulichten Zunge (nach vorne ziehen) die Kunststoff-Spannvorrichtung aus der Arretierung; ziehen Sie letztere dann nach unten und öffnen Sie gleichzeitig die Gerätetür.

5. Bringen Sie die Abdeckung wieder an. Stellen Sie hierbei sicher, dass die Haken in die Schlitze eingreifen, bevor Sie die Abdeckung fest andrücken.

# Reinigung und Pflege

DE

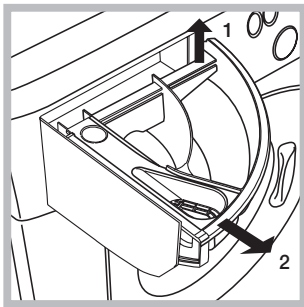
## Abstellen der Wasser- und Stromversorgung

- Drehen Sie den Wasserhahn nach jedem Waschvorgang zu. Hierdurch wird der Verschleiß der Wasseranlage verringert und Wasserlecks vorgebeugt.
- Ziehen Sie den Netzstecker aus der Steckdose, bevor Sie Ihren Waschvollautomaten reinigen.

## Reinigung des Gerätes

Die Gehäuseteile und die Teile aus Gummi können mit einem mit warmer Spülmittellauge angefeuchteten Tuch gereinigt werden. Vermeiden Sie Löse- und Scheuermittel

## Reinigung der Waschmittelschublade



Heben Sie die Schublade leicht an und ziehen Sie sie nach vorne hin heraus (siehe Abbildung). Spülen Sie sie regelmäßig unter fließendem Wasser gründlich aus.

## Pflege der Gerätetür und Trommel

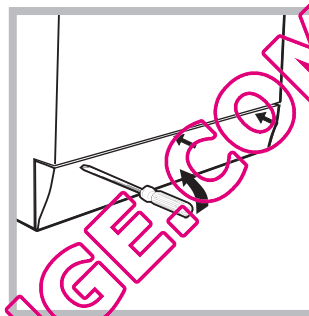
- Lassen Sie die Gerätetür stets leicht offen stehen, um die Bildung unangenehmer Gerüche zu vermeiden.

## Reinigung der Pumpe

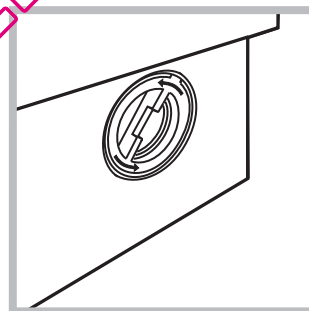
Ihr Gerät ist mit einer selbstreinigenden Pumpe ausgerüstet, eine Wartung ist demnach nicht erforderlich. Es könnte jedoch vorkommen, dass kleine Gegenstände (Münzen, Knöpfe) in die zum Schutz der Pumpe dienende Vorkammer (befindlich unter der Pumpe) fallen.

! Vergewissern Sie sich, dass der Waschgang abgeschlossen ist und ziehen Sie den Netzstecker heraus.

Zugang zur Vorkammer:



1. Nehmen Sie die Abdeckung (befindlich an der Gerätefront) mit Hilfe eines Schraubenziehers ab (siehe Abbildung);



2. Drehen Sie den Deckel gegen den Uhrzeigersinn ab (siehe Abbildung); es ist ganz normal, wenn etwas Wasser austritt;

3. Reinigen Sie das Innere gründlich;
4. Schrauben Sie den Deckel wieder auf;
5. Bringen Sie die Abdeckung wieder an. Stellen Sie hierbei sicher, dass die Haken in die Schlitz eingreifen, bevor Sie die Abdeckung fest andrücken.

## Kontrolle des Wasserzulaufschlauchs

Kontrollieren Sie den Zulaufschlauch mindestens einmal im Jahr. Weist er Risse bzw. Brüche auf, muss er ausgetauscht werden. Der starke Druck während des Waschprogramms könnte zu plötzlichem Platzen führen.

! Verwenden Sie niemals bereits gebrauchte Schläuche.

# Störungen und Abhilfe

Bei Funktionsstörung: Bevor Sie sich an den Technischen Kundendienst wenden (siehe „Kundendienst“), vergewissern Sie sich zuerst, ob es sich nicht um eine Kleinigkeit handelt, die Sie selbst beheben können. Ziehen Sie hierzu nachstehendes Verzeichnis zu Rate.

## Störungen:

**Der Waschvollautomat schaltet sich nicht ein.**

## Mögliche Ursachen / Lösungen:

- Der Stecker steckt nicht in der Steckdose, oder nicht so, dass der Kontakt hergestellt wird.
- Der Strom ist ausgefallen.

**Der Waschgang startet nicht.**

- Die Gerätetür wurde nicht vorschriftsmäßig geschlossen.
- Die EIN/AUS-Taste wurde nicht gedrückt.
- Die Taste START/PAUSE wurde nicht gedrückt.
- Der Wasserhahn ist nicht aufgedreht.
- Es wurde ein verzögerter Start gewählt (siehe „Personalisierungen“).

**Der Waschvollautomat lädt kein Wasser. Die Kontrollleuchte der ersten Waschphase blinkt (rasches Blinklicht).**

- Der Zufuhrschlauch ist nicht am Wasserhahn angeschlossen.
- Der Schlauch ist geknickt.
- Der Wasserhahn ist nicht aufgedreht.
- Es ist kein Wasser da.
- Der Druck ist unzureichend.
- Die Taste START/PAUSE wurde nicht gedrückt.

**Der Waschvollautomat lädt laufend Wasser und pumpt es laufend ab.**

- Der Ablaufschlauch befindet sich nicht auf der vorgeschriebenen Höhe, d.h. 65 – 100 cm vom Boden (siehe „Installation“).
- Das Schlauchende liegt unter Wasser (siehe „Installation“).
- Der Abfluss der Hausinstallation wurde nicht mit einer Entlüftungsöffnung versehen.  
Konnte die Störung durch diese Kontrollen nicht behoben werden, dann drehen Sie den Wasserhahn zu, schalten das Gerät aus und fordern den Kundendienst an. Falls Sie in einer der obersten Etagen eines Gebäudes wohnen, kann es vorkommen, dass sich im Syphon ein Vakuum bildet, und der Waschvollautomat ständig Wasser ansaugt und wieder abpumpt. Zur Lösung dieser Probleme bietet der Handel spezielle Syphonventile.

**Der Waschvollautomat pumpt nicht ab und schleudert nicht.**

- Das Programm siehe kein Abpumpen vor: Bei einigen Programmen muss es von Hand eingestellt werden (siehe „Starten eines Waschprogramms“).
- Die Funktion BÜGELLEICHT wurde aktiviert: zur Beendigung des Programms Taste START/PAUSE drücken (siehe „Personalisierungen“).
- Der Ablaufschlauch ist geknickt (siehe „Installation“).
- Die Ablaufleitung ist verstopft.

**Der Waschvollautomat vibriert zu stark während des Schleuderns.**

- Die Trommel wurde bei der Installation nicht korrekt befreit (siehe „Installation“).
- Der Waschvollautomat steht nicht eben (siehe „Installation“).
- Der Waschvollautomat steht zu eng zwischen der Wand und einem Möbel (siehe „Installation“).

**Der Waschvollautomat ist undicht.**

- Der Zulaufschlauch wurde nicht ordnungsgemäß aufgeschraubt (siehe „Installation“).
- Die Waschmittelschublade ist verstopft (zur Reinigung siehe „Wartung und Pflege“).
- Der Ablaufschlauch ist nicht korrekt befestigt (siehe „Installation“).

**Die Kontrollleuchte START/PAUSE (orangefarben) und die Funktionssleuchten blinken (rasches Blinklicht).**

- Schalten Sie das Gerät aus und ziehen Sie den Netzstecker; warten Sie daraufhin ca. 1 Minute und schalten Sie es wieder ein.  
Bleibt die Störung bestehen, kontaktieren Sie bitte den Kundendienst.

**Es bildet sich zu viel Schaum.**

- Das Waschmittel ist für Waschmaschinen nicht geeignet (es muss mit der Aufschrift „Für Waschmaschinen“, „Für Handwäsche und Waschmaschinen“ usw. versehen sein).
- Es wurde zu hoch dosiert.

DE

## Bevor Sie sich an den Kundendienst wenden:

- Sollten einige Kontrollen vorab selbst durchgeführt werden (*siehe „Störungen und Abhilfe“*);
- Starten Sie daraufhin das Programm erneut, um sicherzustellen, dass die Störung auch wirklich behoben wurde;
- Ist dies nicht der Fall, dann kontaktieren Sie den autorisierten Kundendienst unter der auf dem Garantieschein befindlichen Telefonnummer.

! Wenden Sie sich auf keinen Fall an nicht autorisierte Techniker.

## Geben Sie bitte Folgendes an:

- die Art der Störung;
- das Maschinenmodell (Mod.);
- die Seriennummer (S/N).

Diese Daten entnehmen Sie bitte dem auf der Rückseite des Waschvollautomaten und auf der Vorderseite (Gerätetür öffnen) befindlichen Typenschild.

QUELLAVELINGE.COM