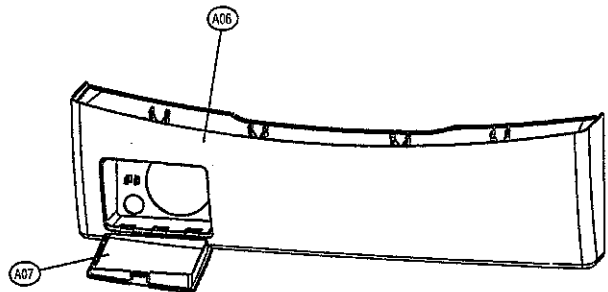
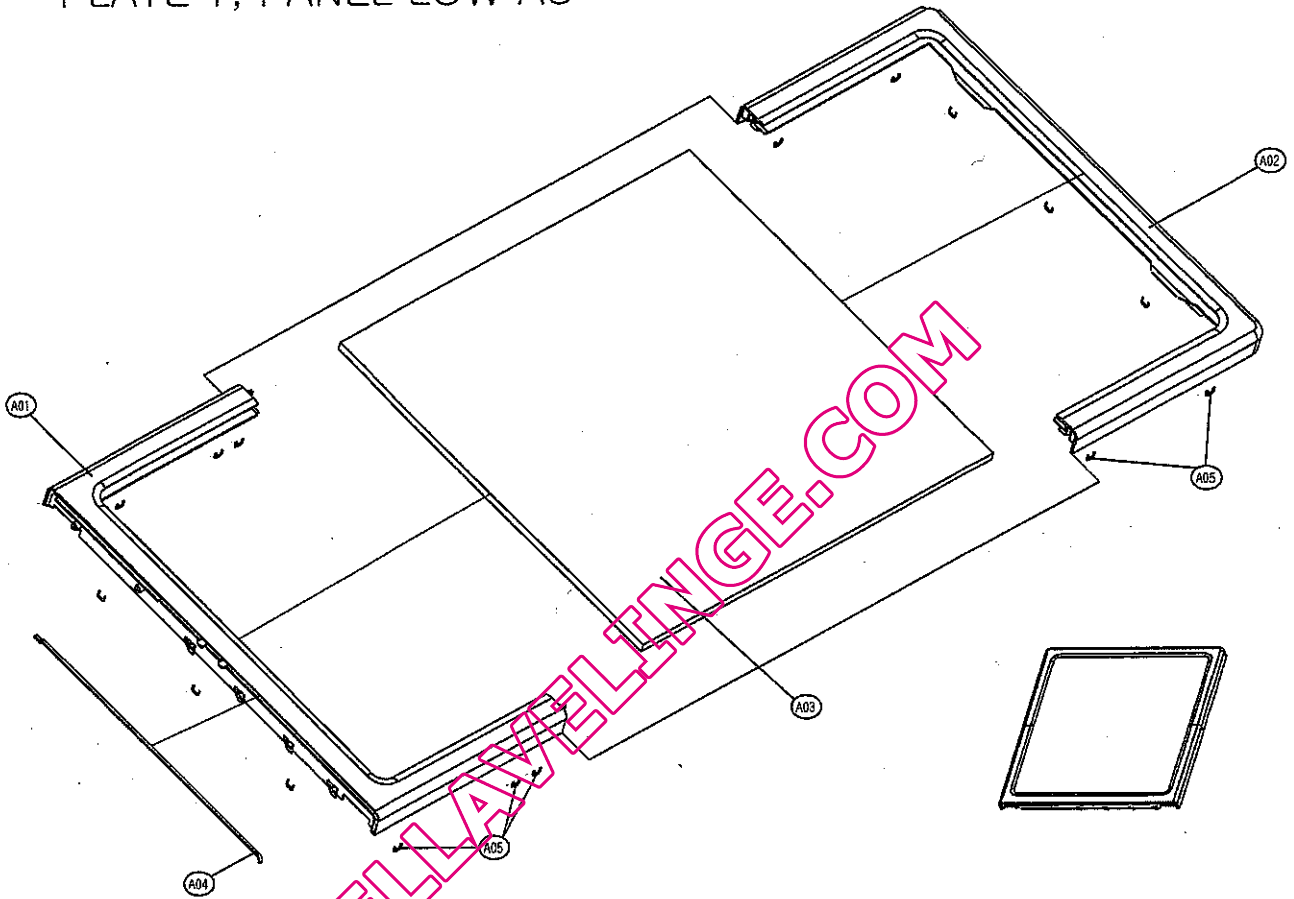
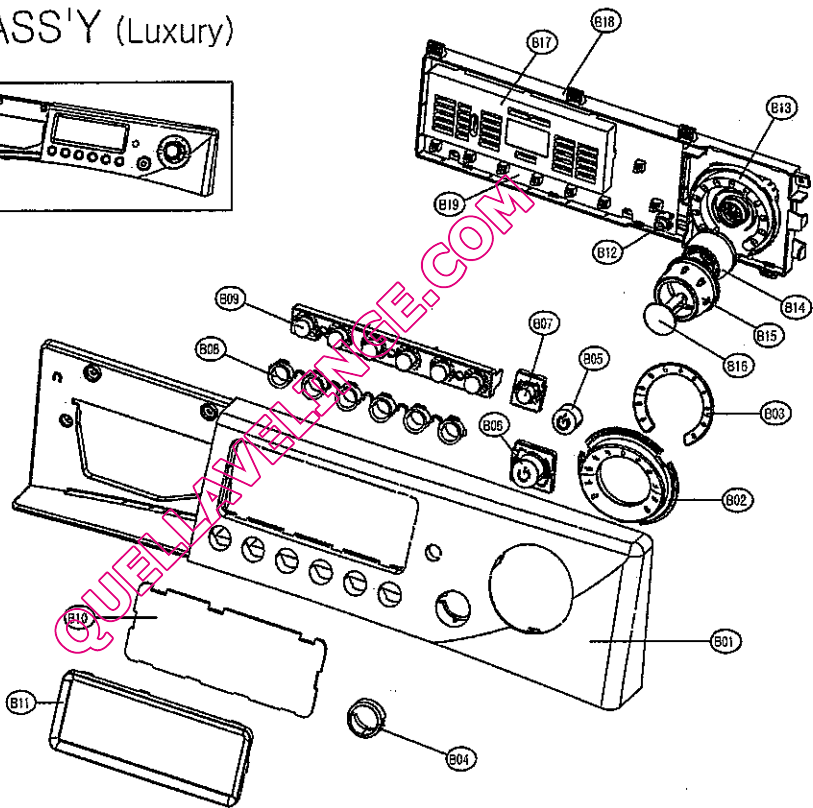
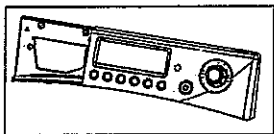


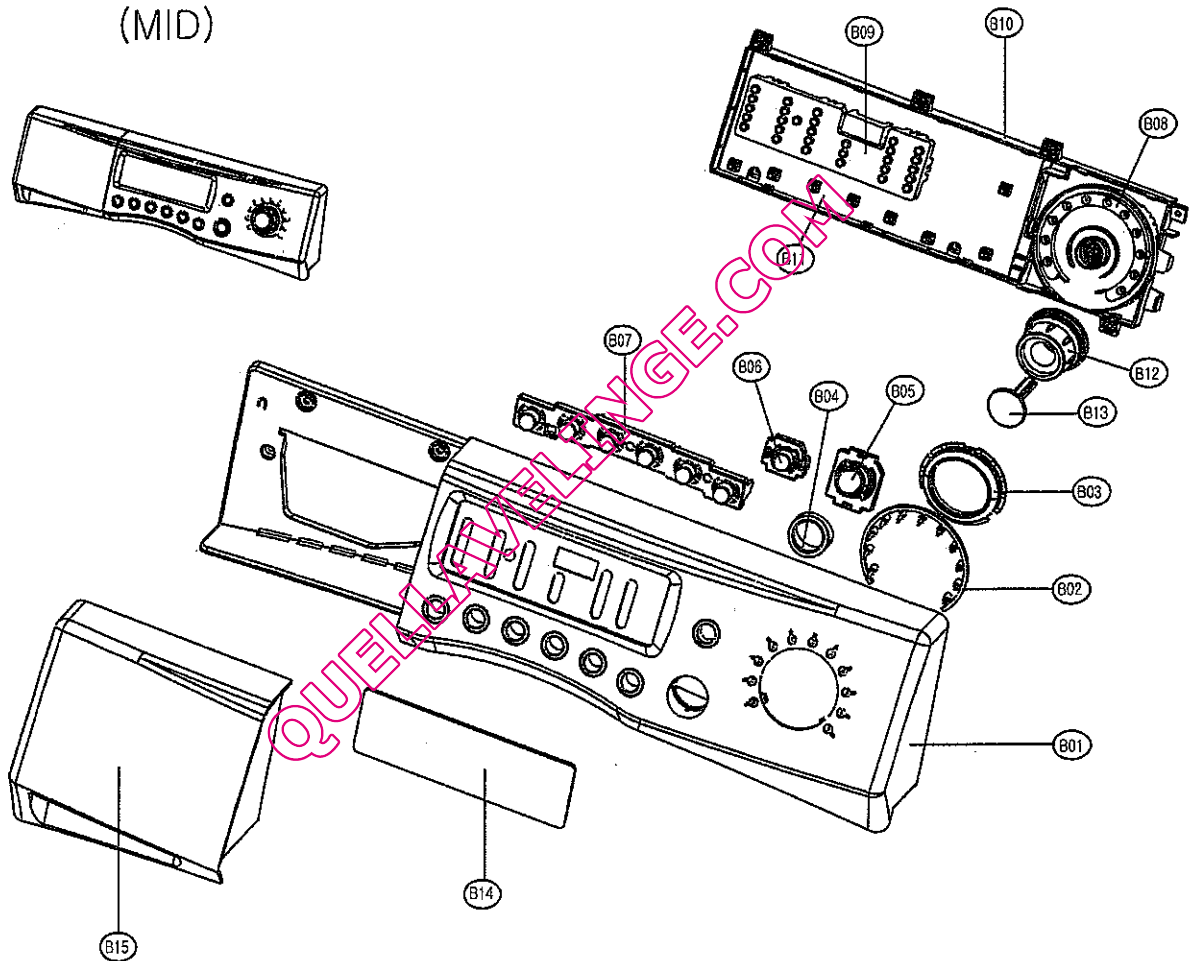
PLATE T, PANEL LOW AS



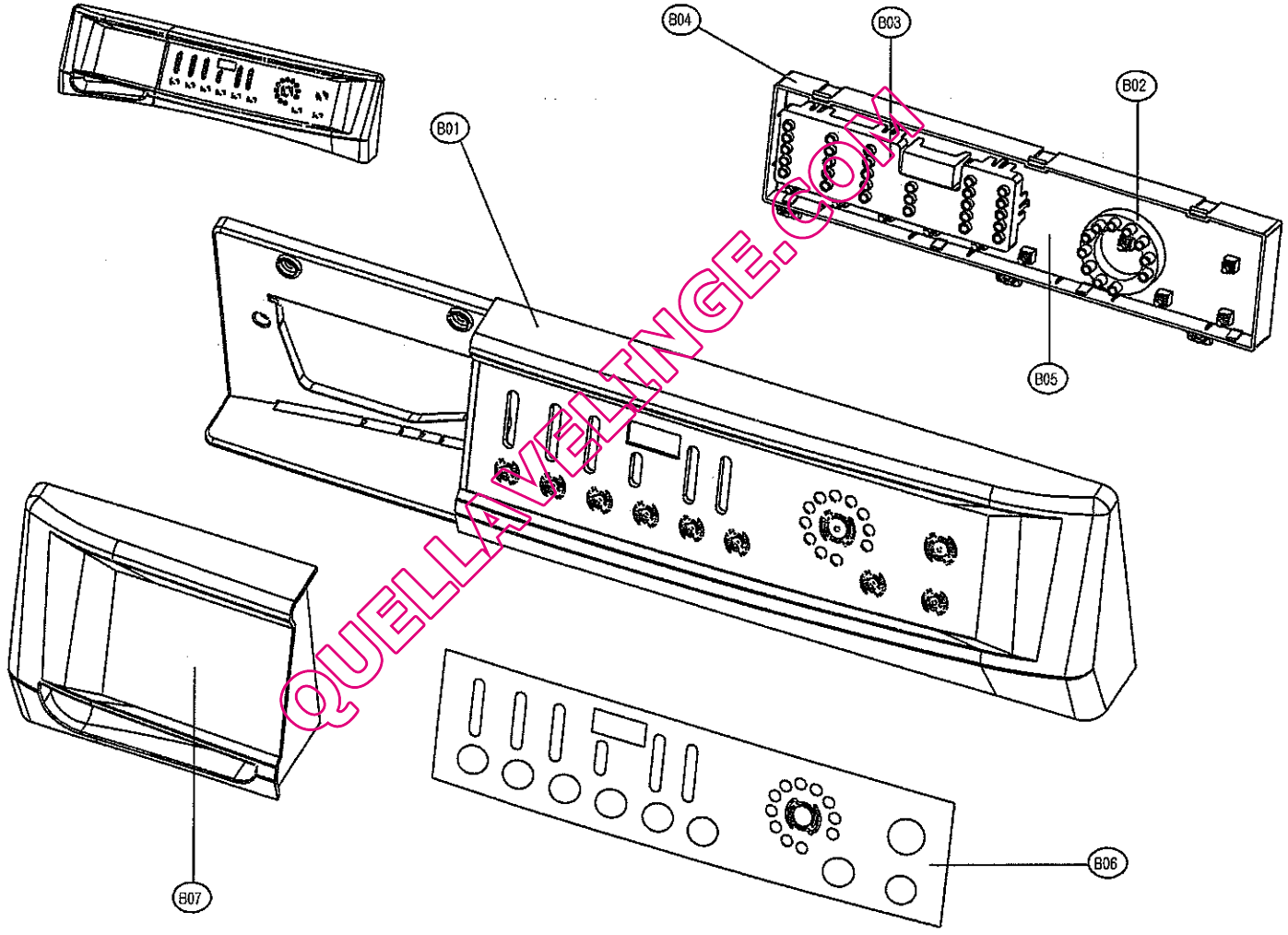
PANEL F ASS'Y (Luxury)



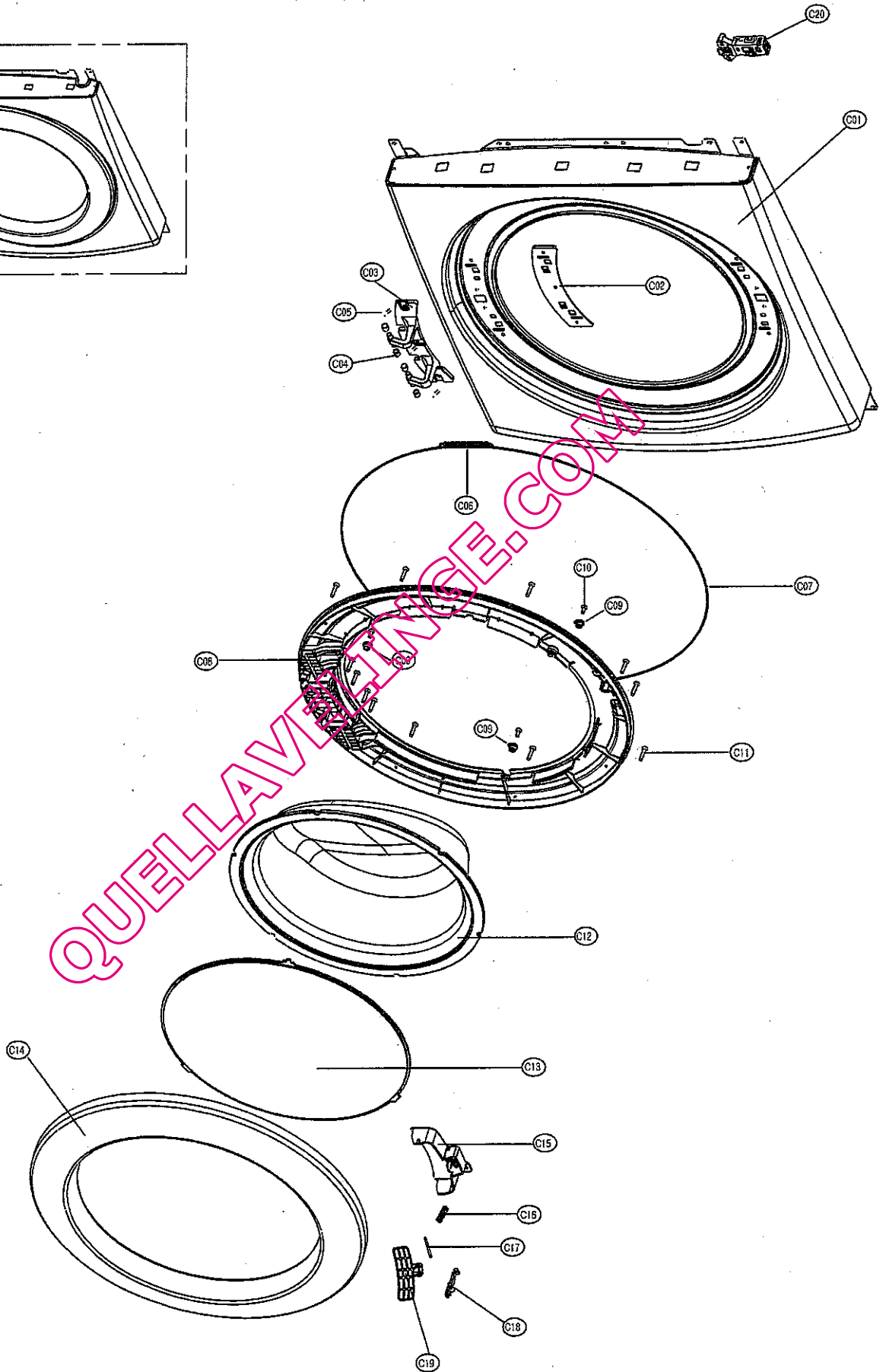
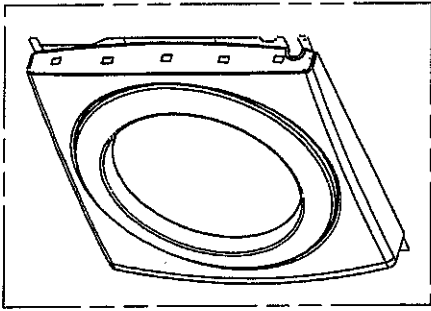
PANEL F ASS'Y (MID)



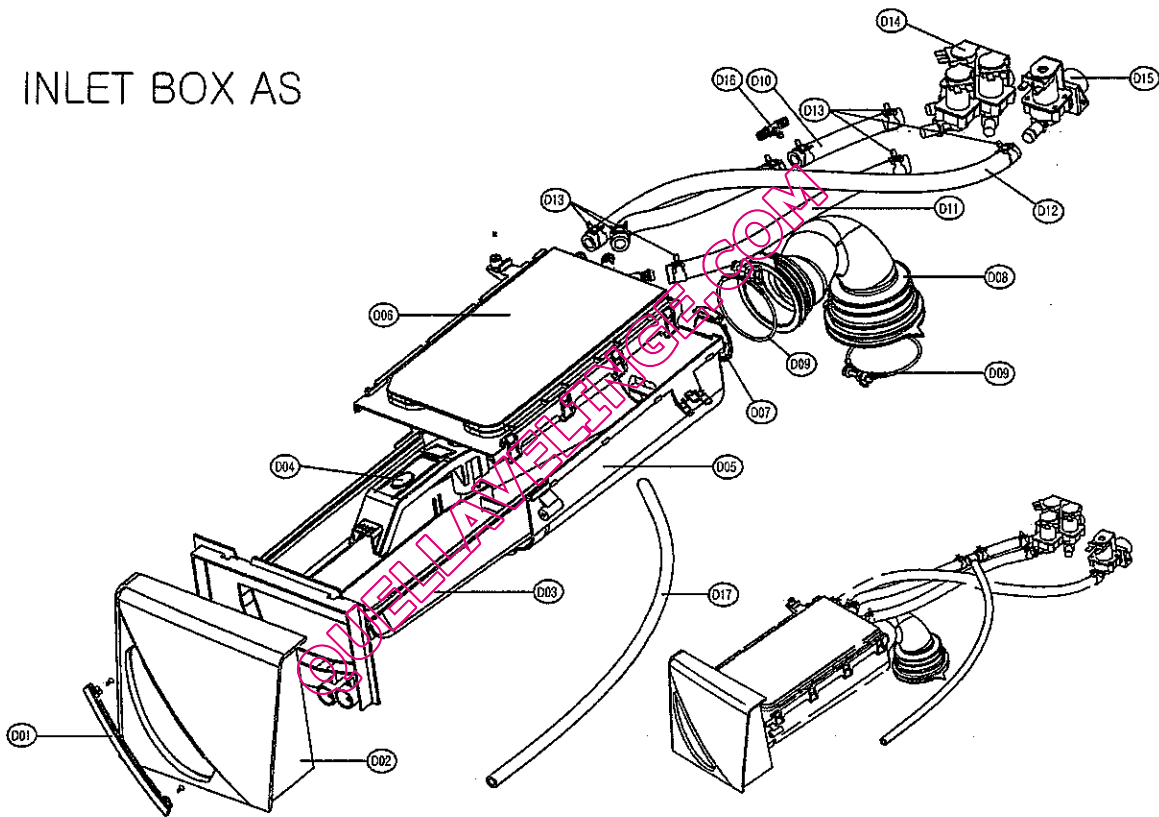
PANEL F ASS'Y (CHEAP)



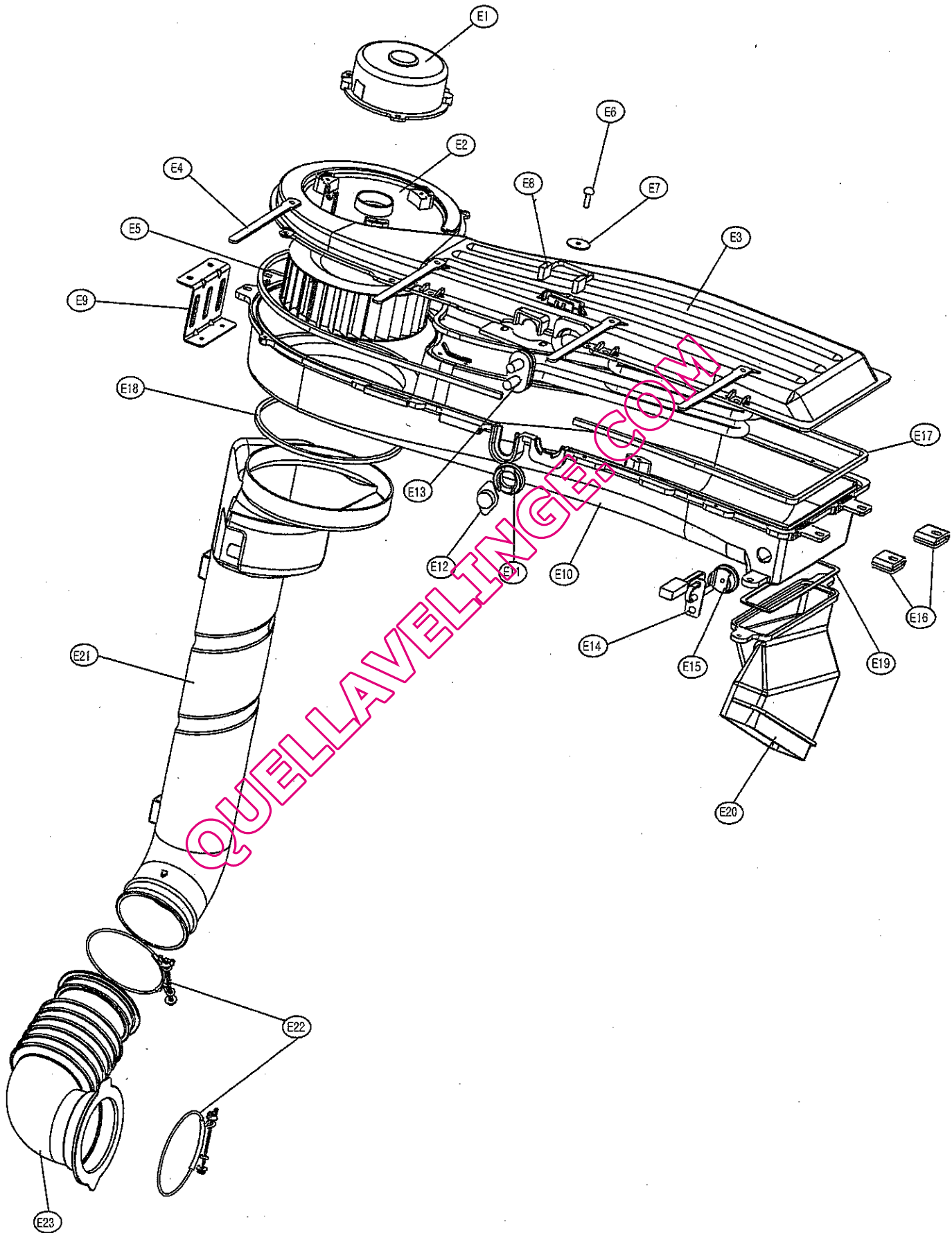
CABINET F ASS'Y



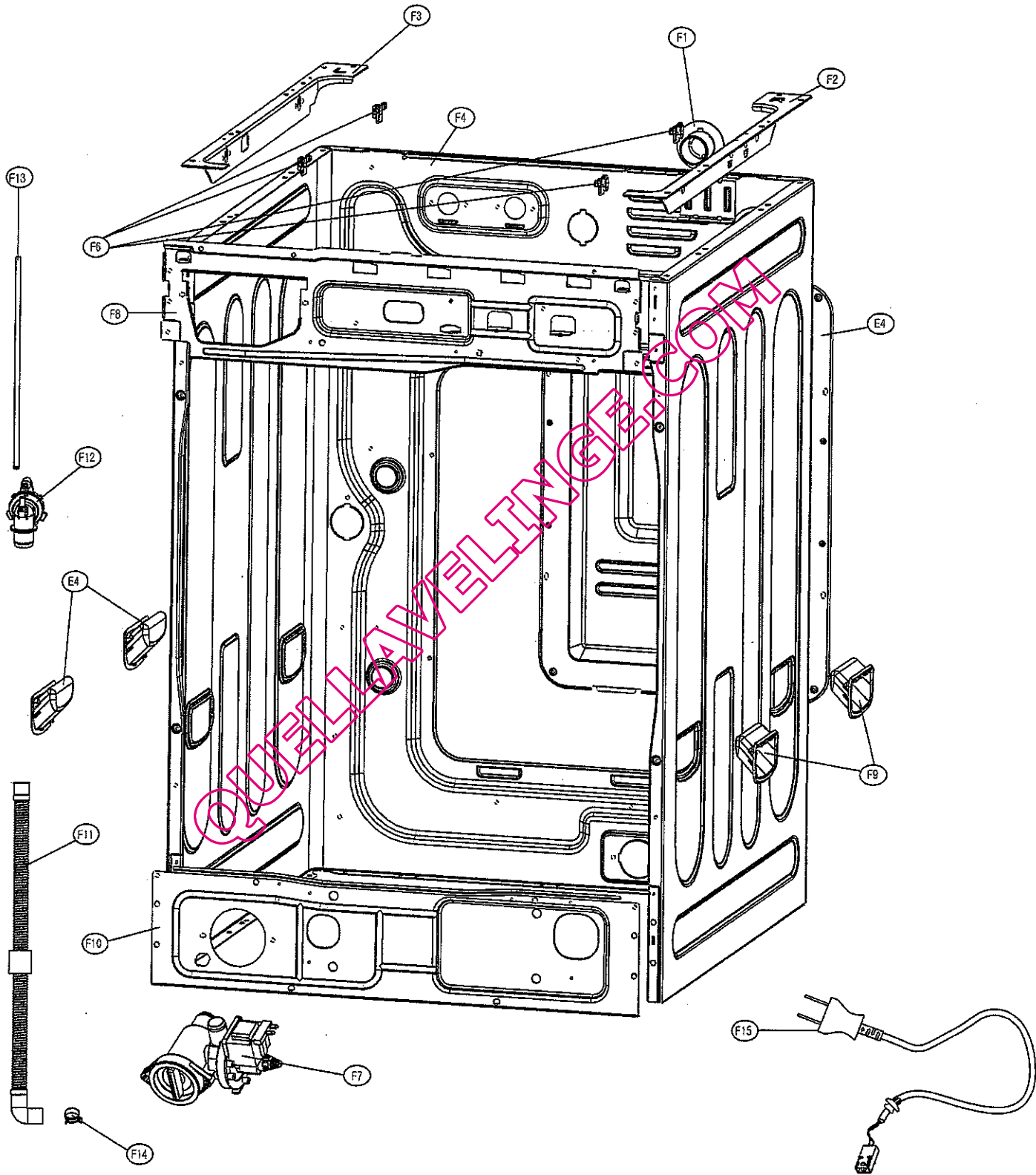
INLET BOX AS



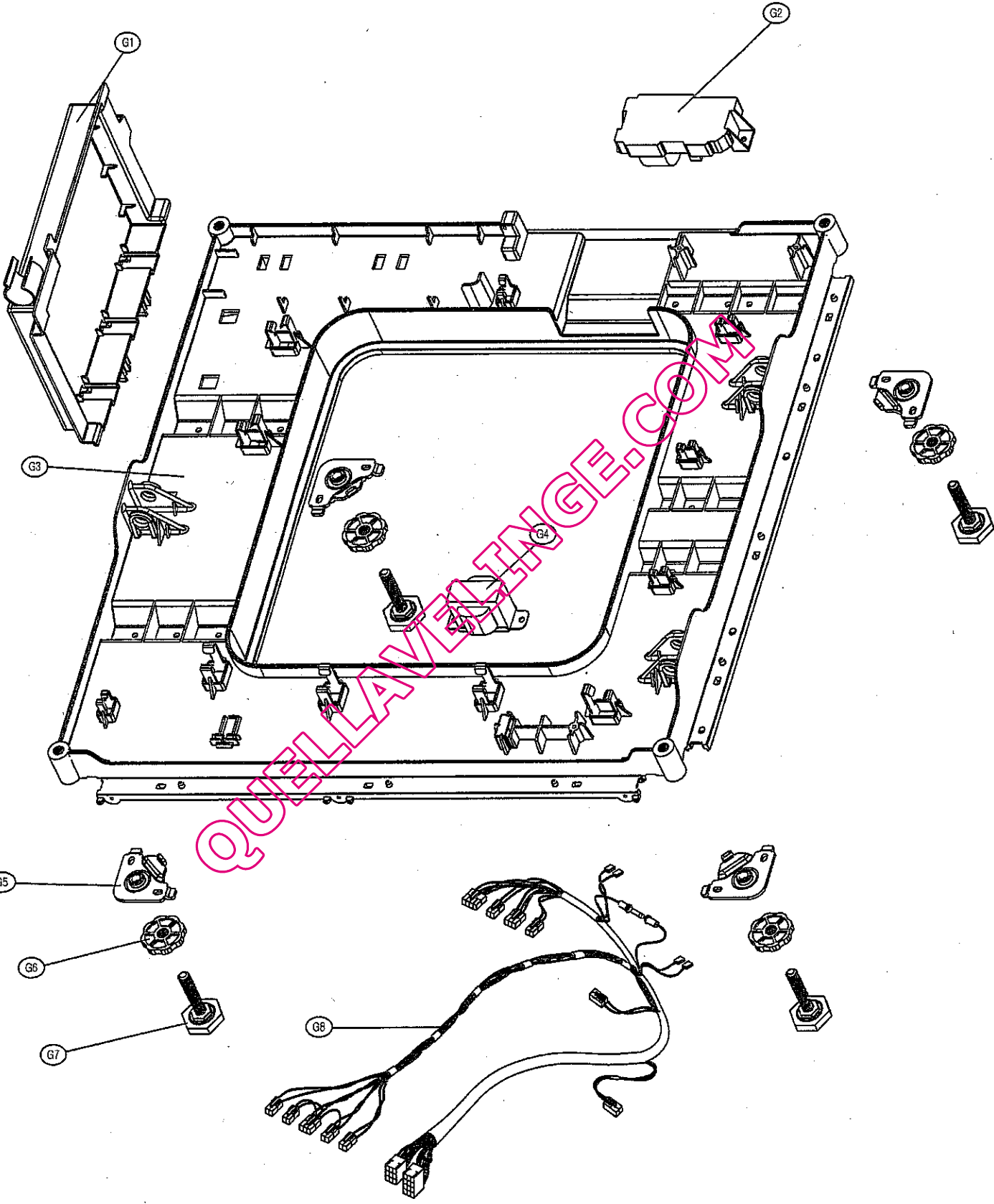
DUCT B+DUCT PIPE AS



CABINET AS



BASE U AS



TUB AS

